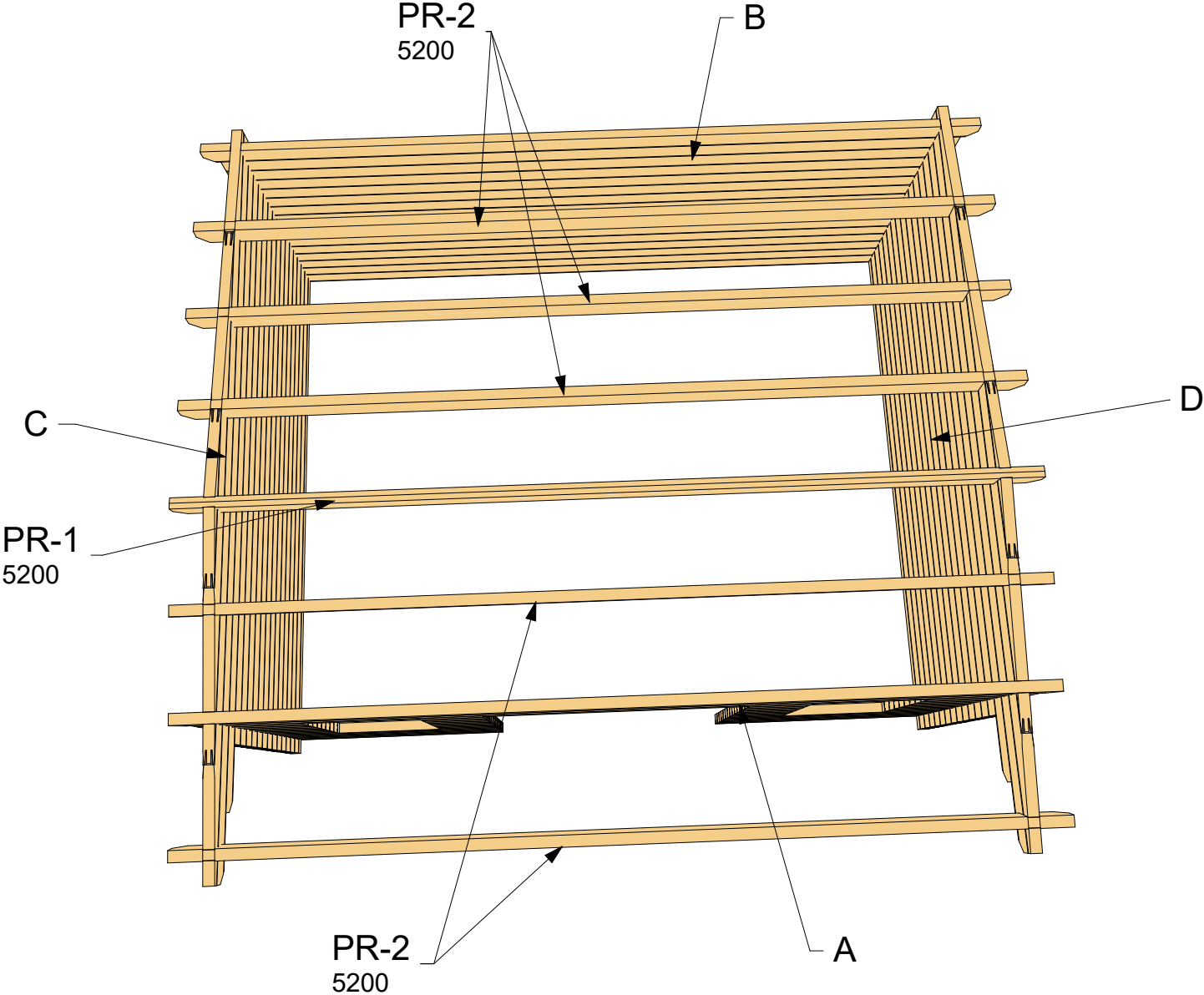




68mm Yeovil 5x4

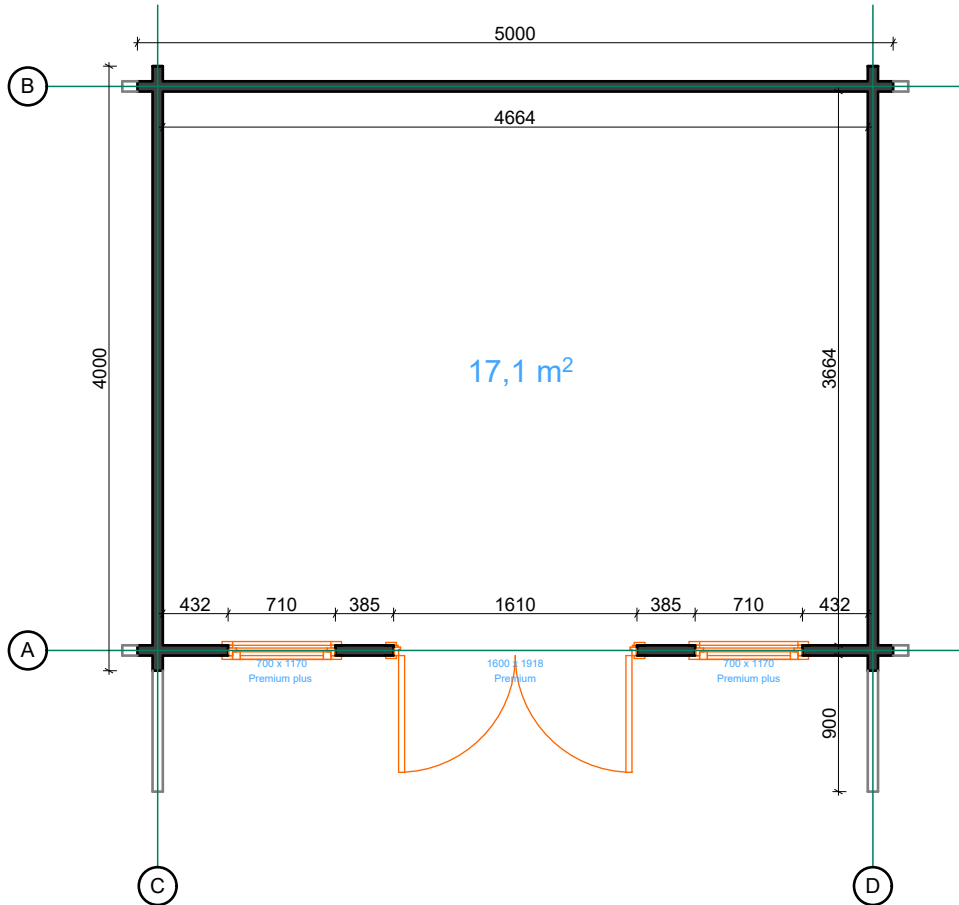
Architect name:	Thickness:	Type:	Project name:	Project No:	Year:	Page:
Gytis Buda	68mm	Standard	Yeovil 5x4		2019	1



Architect name:	Thickness:	Type:	Project name:	Project No:	Year:	Page:
Gytis Buda	68mm	Standard	Yeovil 5x4		2019	2

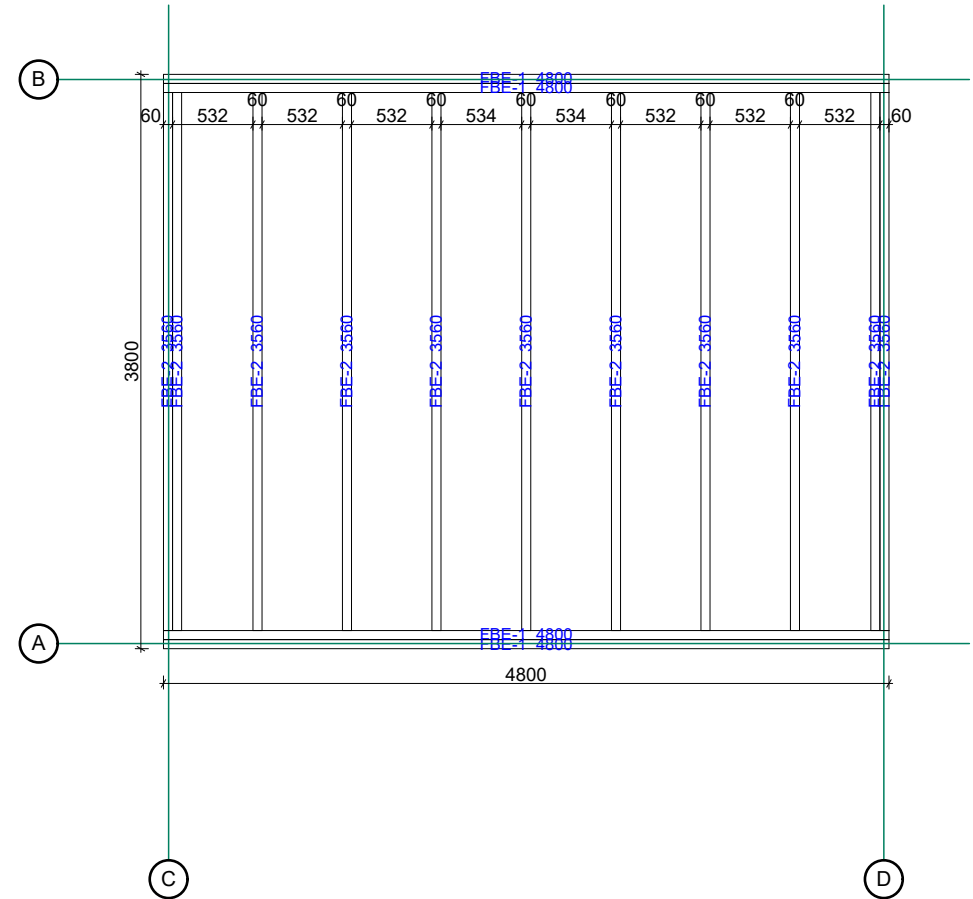
Floor plan

1:50



Floor bearers

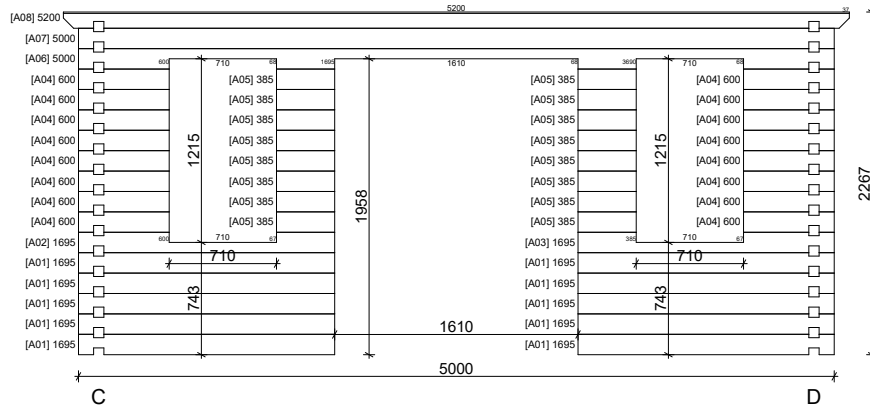
1:50



Architect name:	Thickness:	Type:	Project name:	Project No:	Year:	Page:
Gytis Buda	68mm	Standard	Yeovil 5x4		2019	3

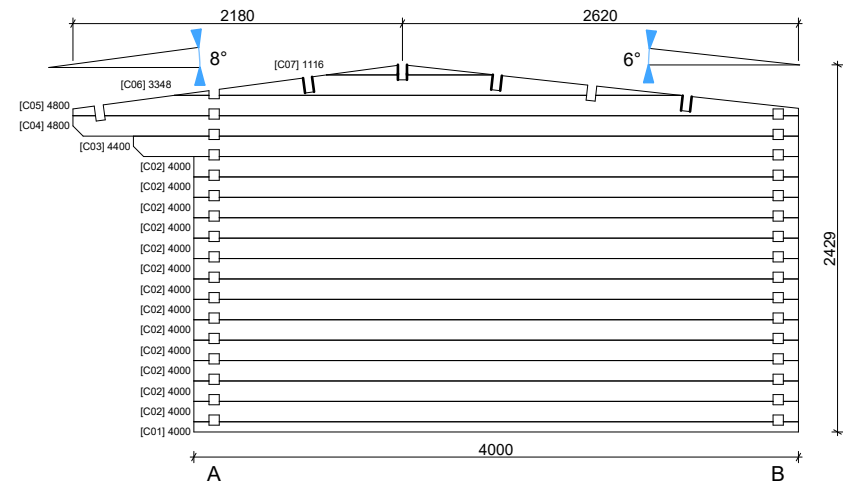
Wall A

1:50



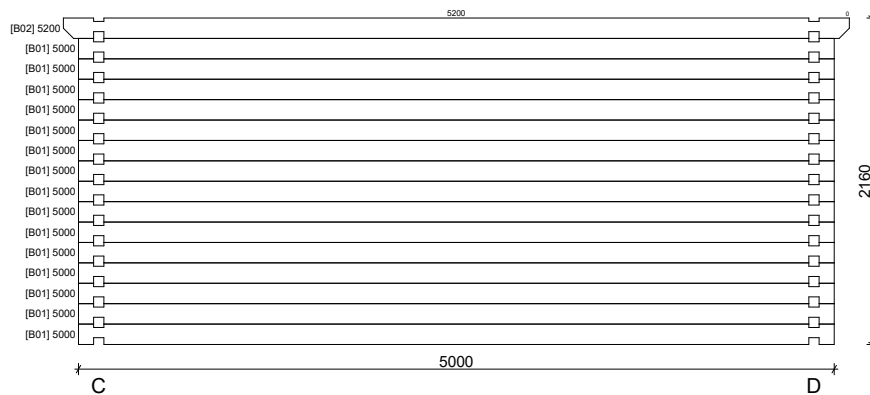
Wall C

1:50



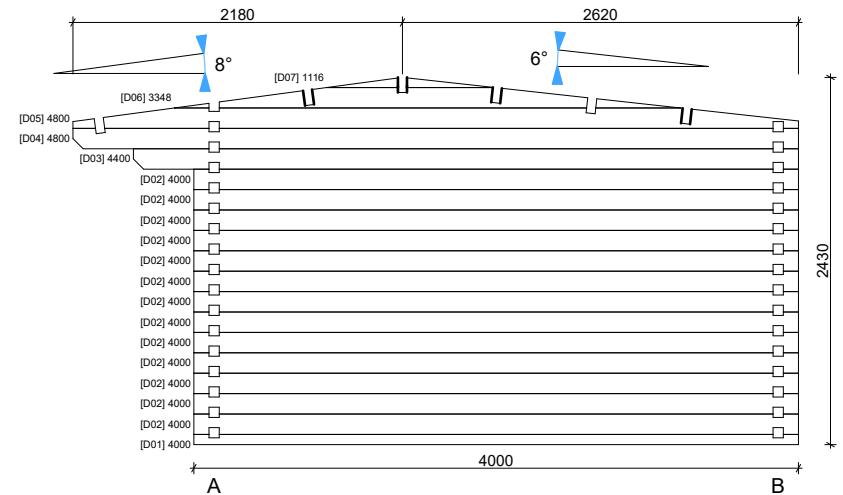
Wall B

1:50



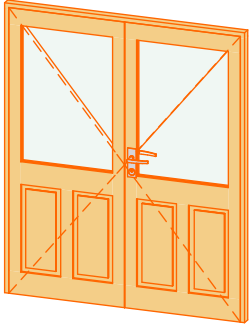
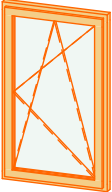
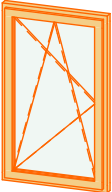
Wall D

1:50



Architect name:	Thickness:	Type:	Project name:	Project No:	Year:	Page:
Gytis Buda	68mm	Standard	Yeovil 5x4		2019	4

68mm Yeovil 5x4 windows&doors list

Type	Quality	Nominal W x H Size	Orient ation	Glazing	Quantit y	3D Front Axonometry
Door	Premium	1600x1918	R	Double glazed, safety (toughened) glass	1	
Window	Premium plus	700x1170	R	Double glazed, safety (toughened) glass	1	
Window	Premium plus	700x1170	L	Double glazed, safety (toughened) glass	1	

Note: Crosses for windows and doors are included in the package