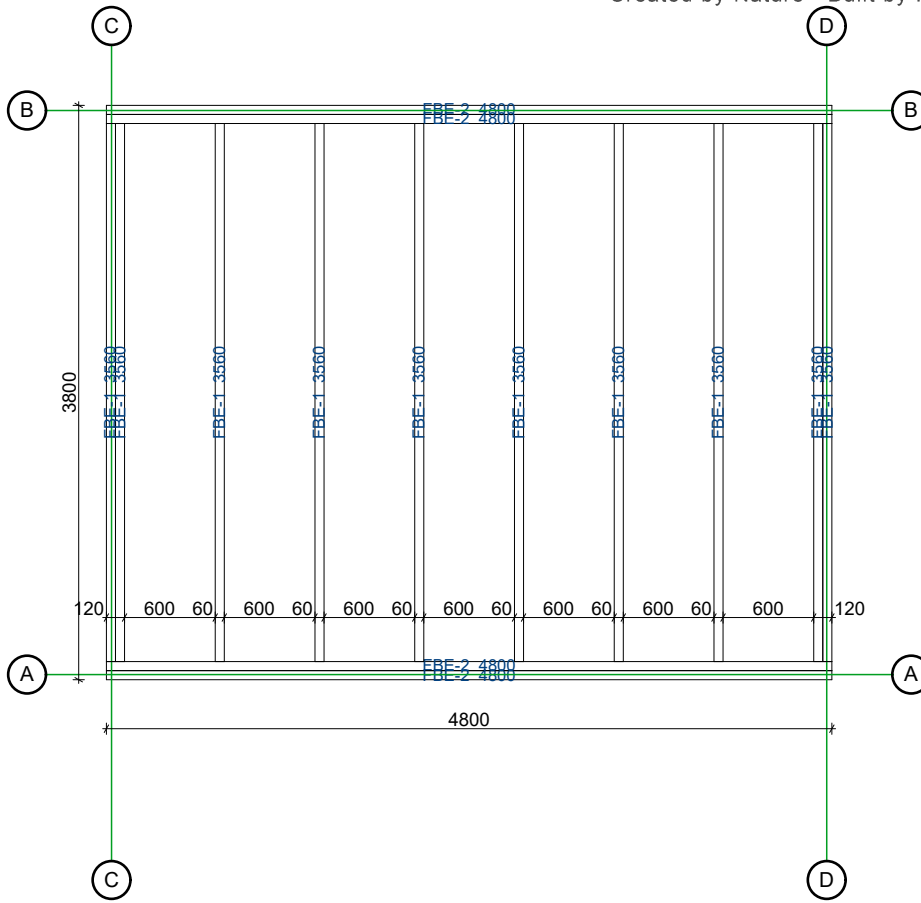




68mm Slough 5x4

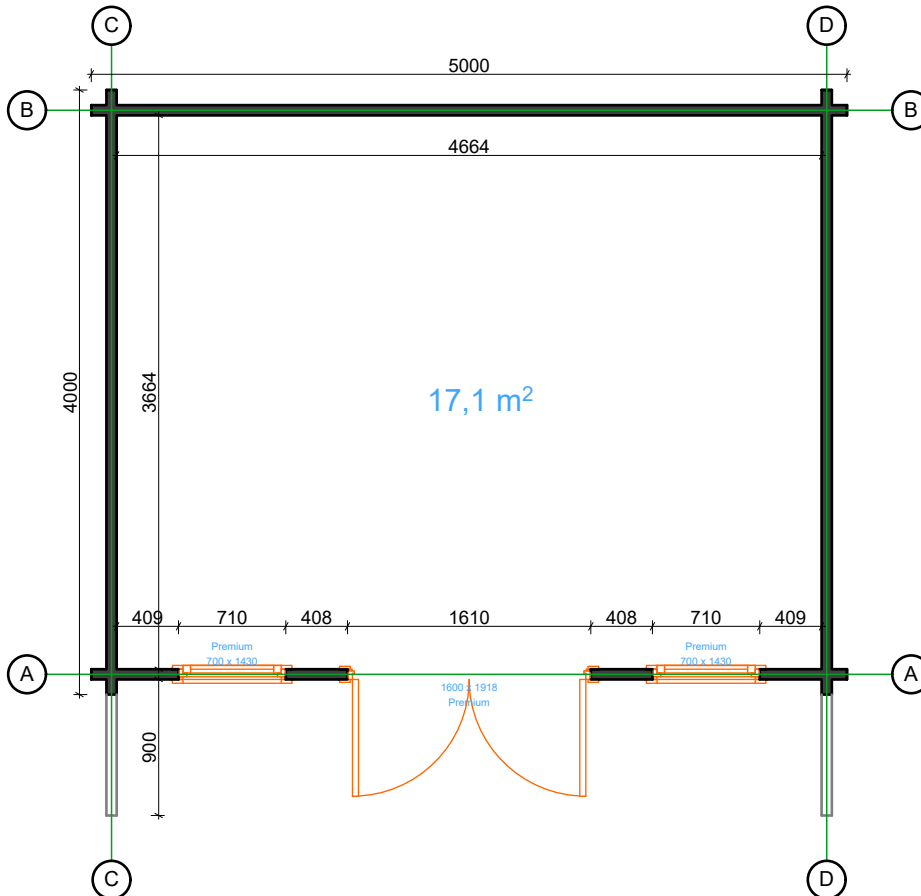
| Architect name: | Thickness: | Type: | Project name: | Project No: | Year: | Page: |
|-----------------|------------|----------|---------------|-------------|-------|-------|
| Gytis Buda | 68mm | Standard | Slough 5x4 | | 2020 | 1 |

Floor bearers plan



Ground floor plan

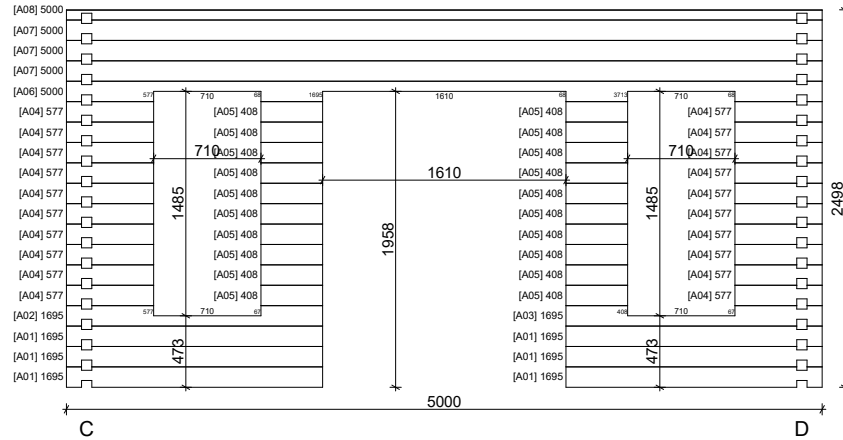
1:50



| Architect name: | Thickness: | Type: | Project name: | Project No: | Year: | Page: |
|-----------------|------------|----------|---------------|-------------|-------|-------|
| Gytis Buda | 68mm | Standard | Slough 5x4 | | 2020 | 2 |

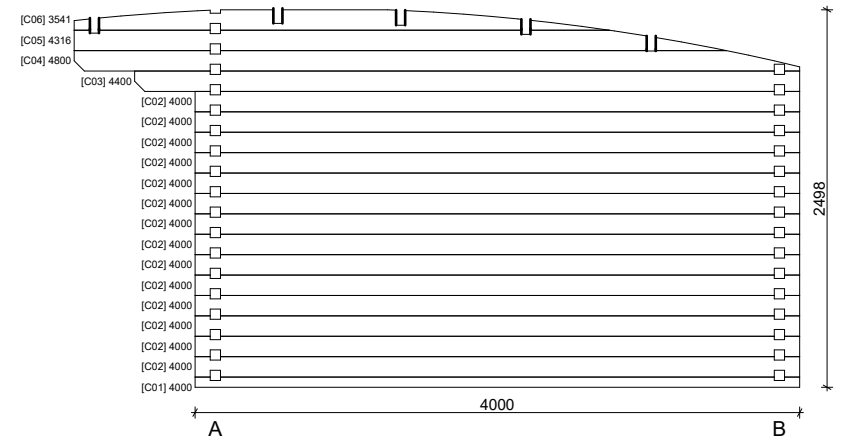
Wall A

1:50



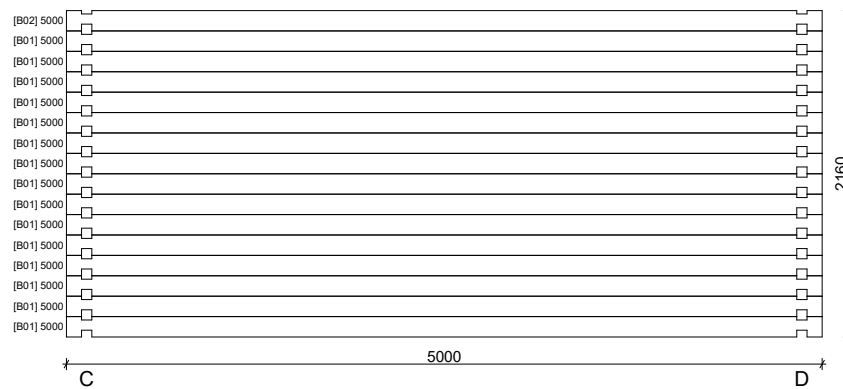
Wall C

1:50



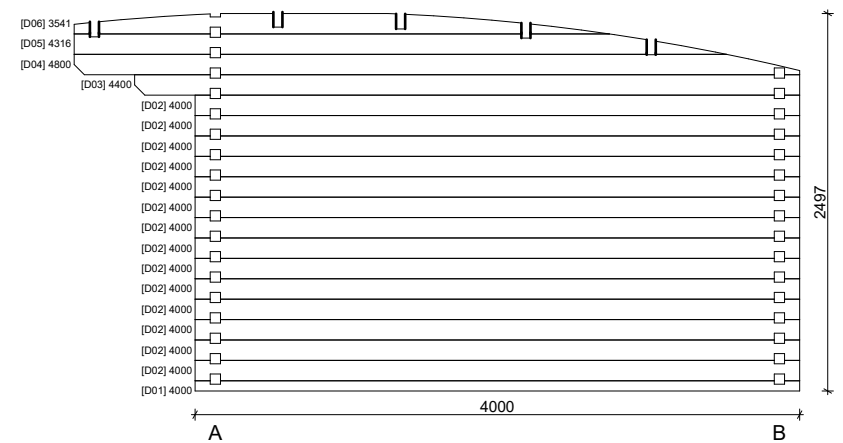
Wall B

1:50



Wall D

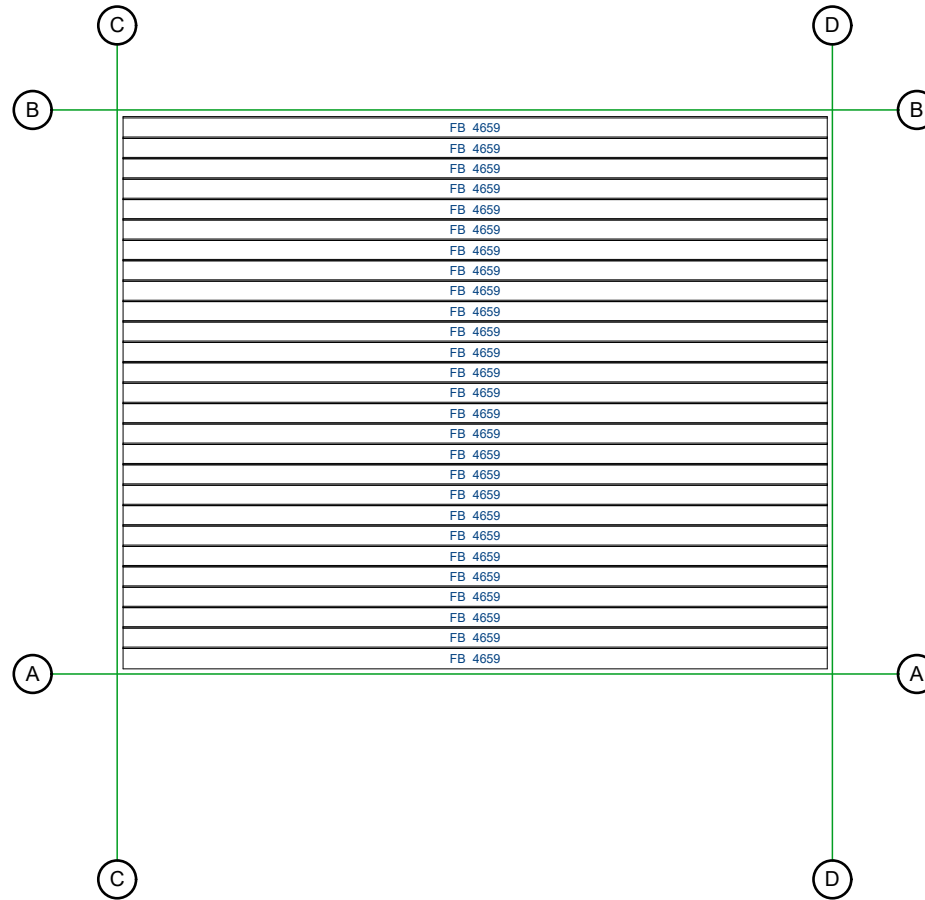
1:50



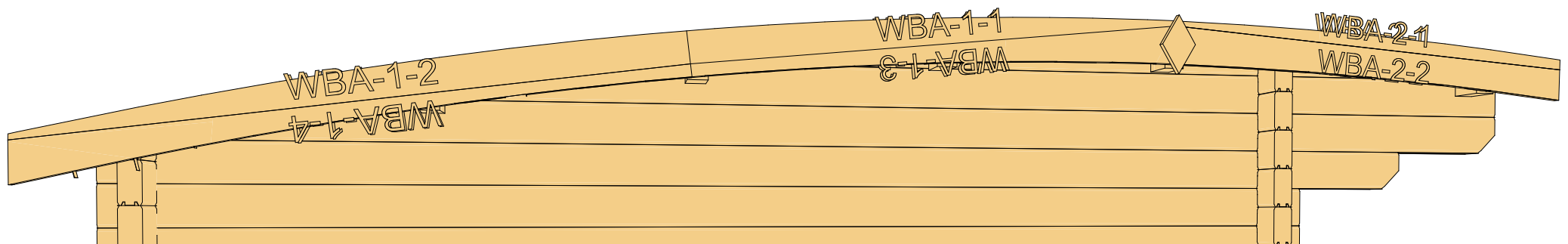
| | | | | | | |
|-----------------|------------|----------|---------------|-------------|-------|-------|
| Architect name: | Thickness: | Type: | Project name: | Project No: | Year: | Page: |
| Gytis Buda | 68mm | Standard | Slough 5x4 | | 2020 | 3 |

Floor boards

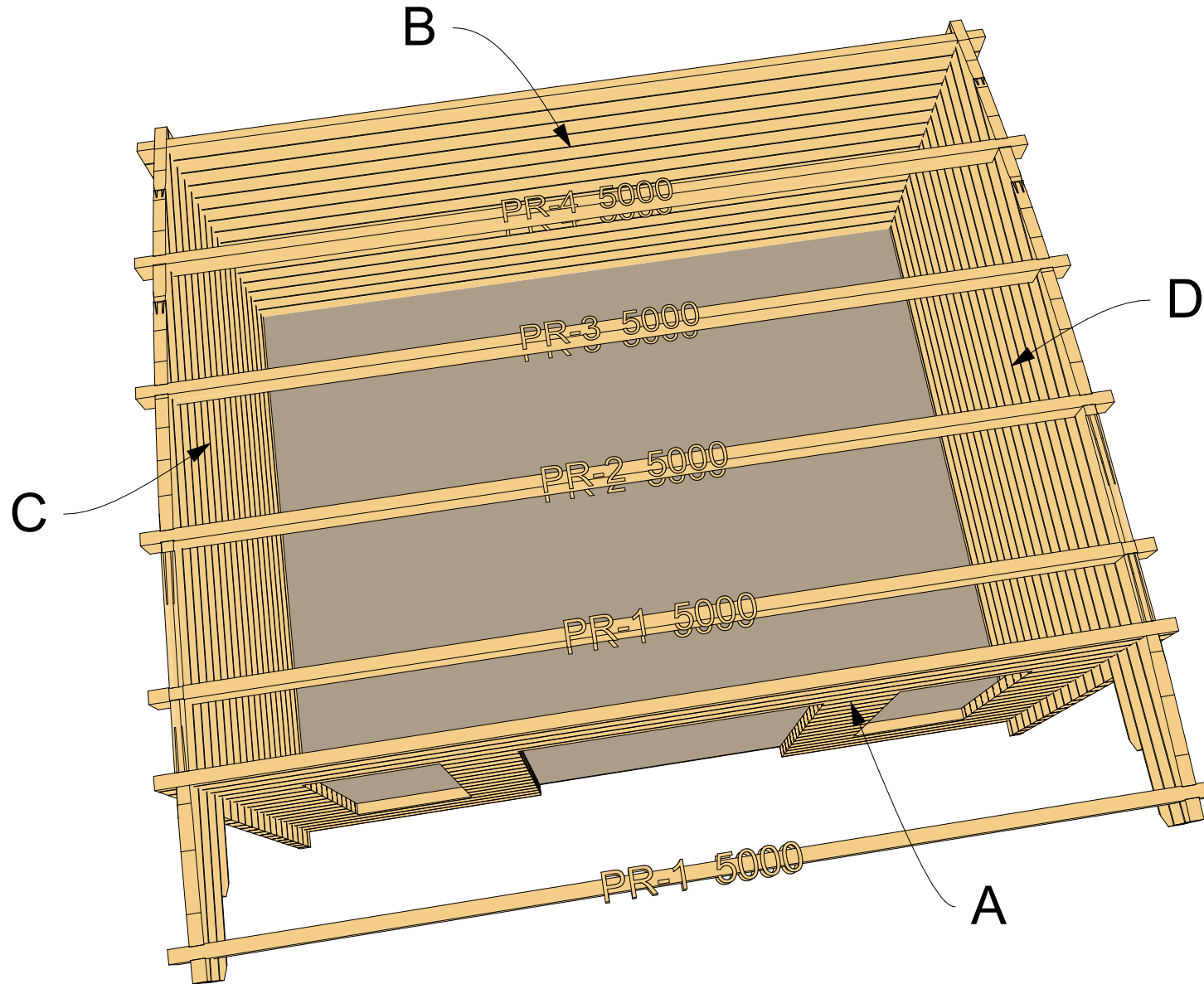
1:50



Windboards installation

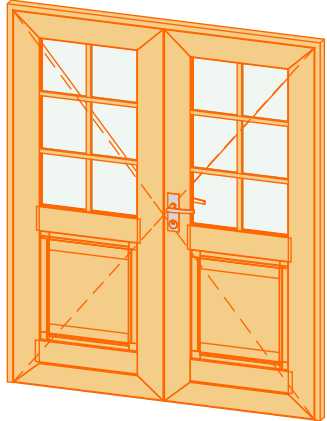
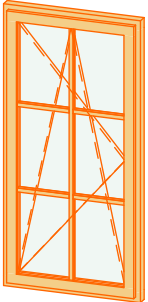
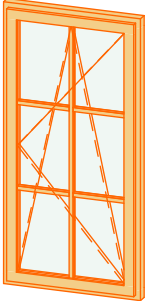


| | | | | | | |
|-----------------|------------|----------|---------------|-------------|-------|-------|
| Architect name: | Thickness: | Type: | Project name: | Project No: | Year: | Page: |
| Gytis Buda | 68mm | Standard | Slough 5x4 | | 2020 | 4 |



| Architect name: | Thickness: | Type: | Project name: | Project No: | Year: | Page: |
|-----------------|------------|----------|-------------------|-------------|-------|-------|
| Gytis Buda | 68mm | Standard | Slough 5x4 | | 2020 | 5 |

68mm Slough 5x4 windows and doors list

| Type | Quality/notes | Nominal W x H Size | Orient ation | Glazing | Qty | 3D Front Axonometry |
|--------|---------------|--------------------|--------------|--|-----|---|
| Door | Premium | 1600x1918 | R | 50% glass, Double glazed, safety (toughened) glass | 1 |  |
| Window | Premium | 700x1430 | L | Double glazed, safety (toughened) glass | 1 |  |
| Window | Premium | 700x1430 | R | Double glazed, safety (toughened) glass | 1 |  |