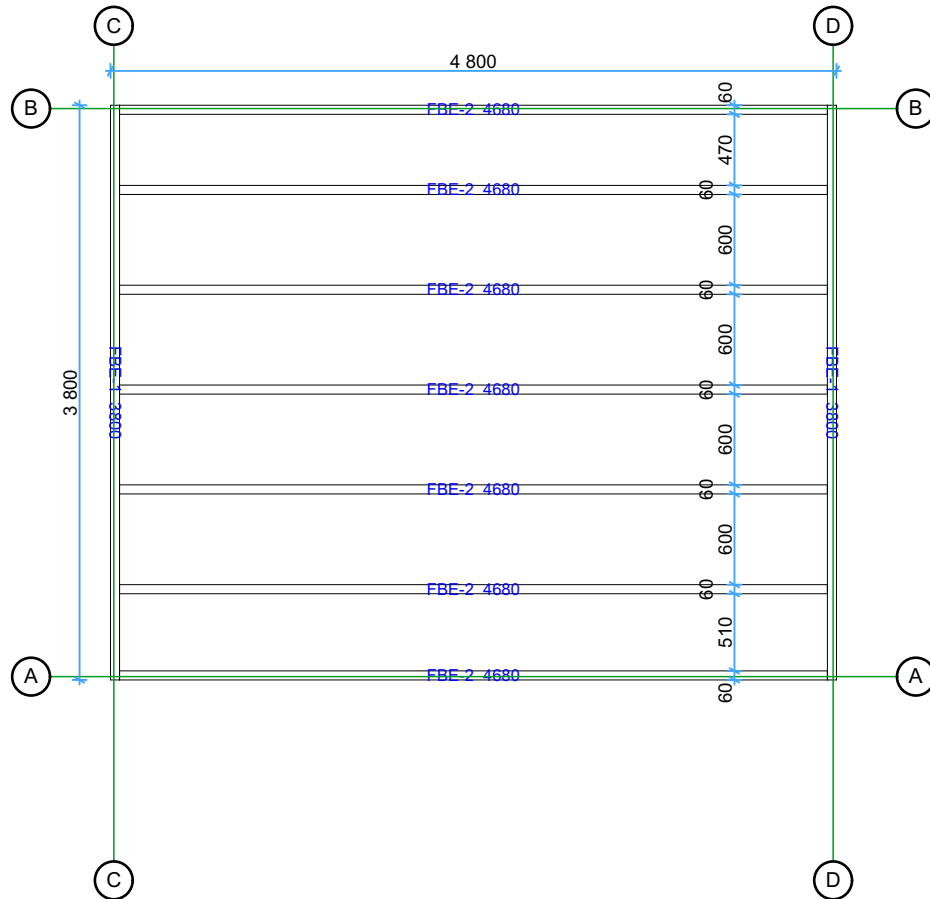




**44 Slough**

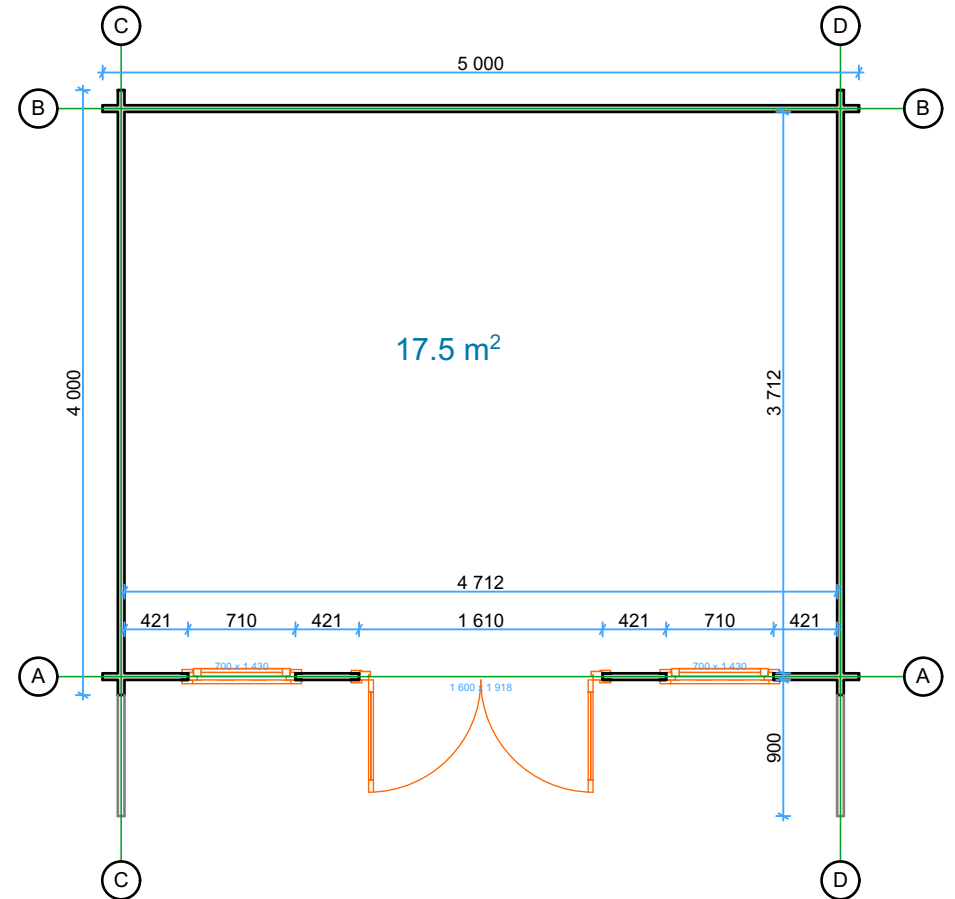
Floor bearer

1:50



Ground Floor plan

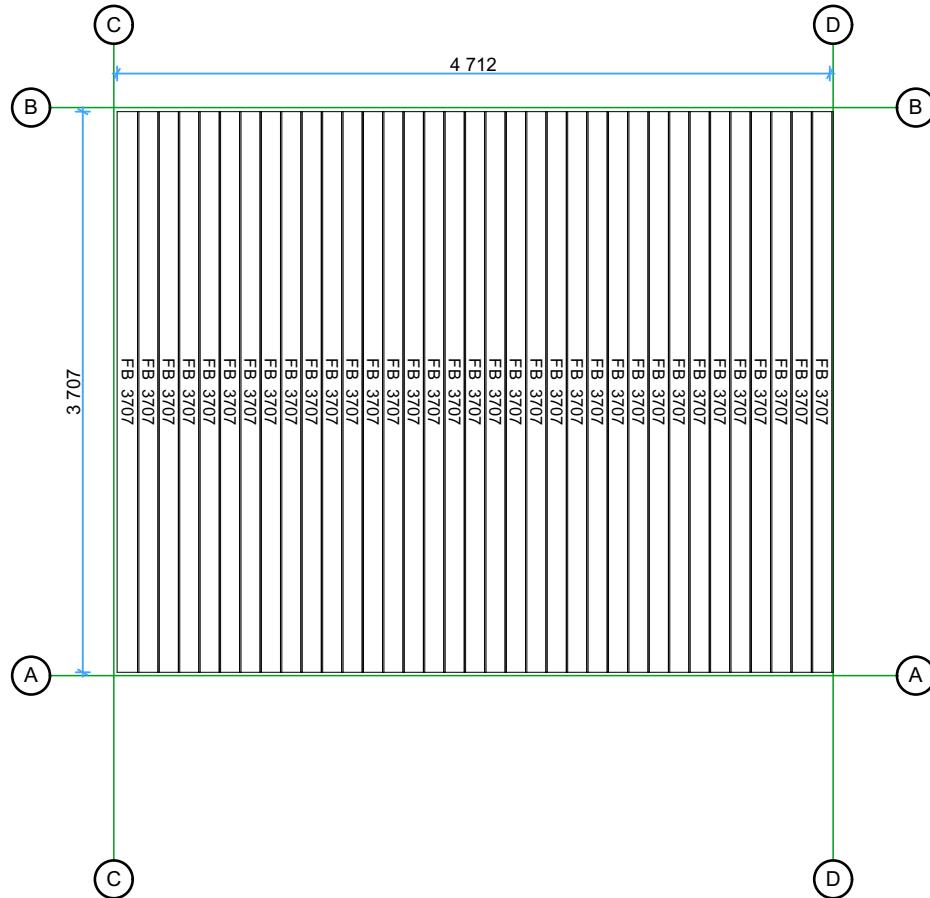
1:50



Thickness:	Project name:	Project ID:	Year:	Page:
44	Slough		2023	2

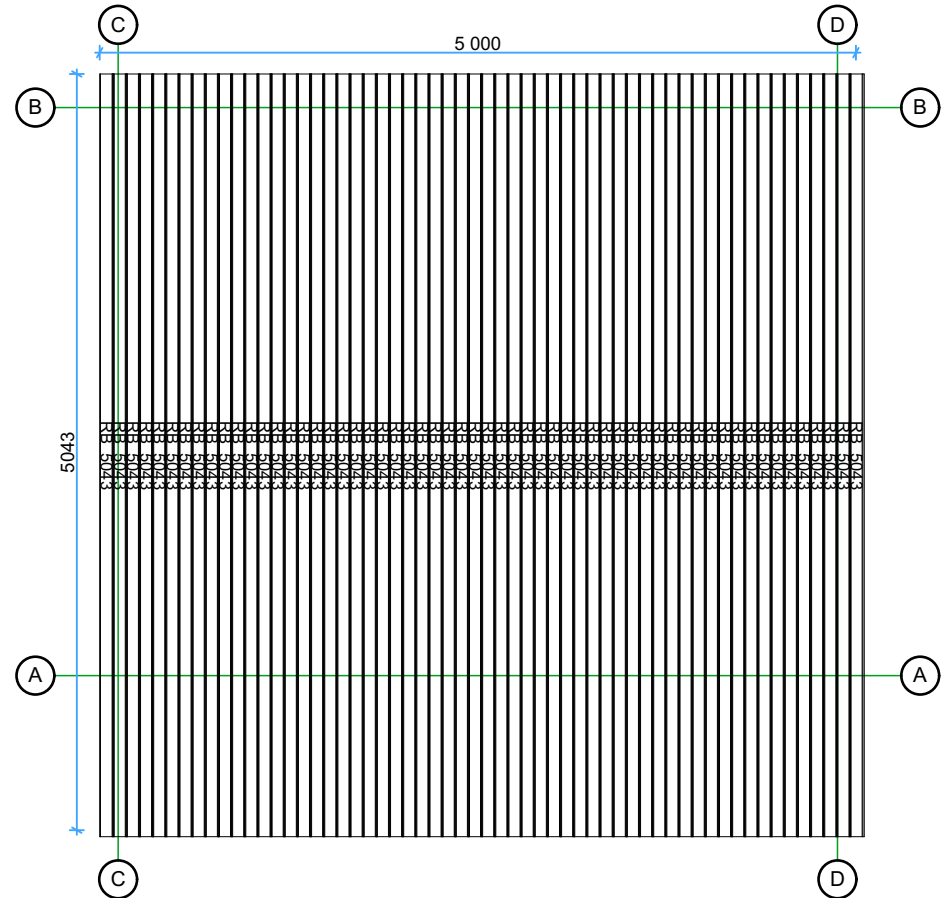
Floor boards

1:50

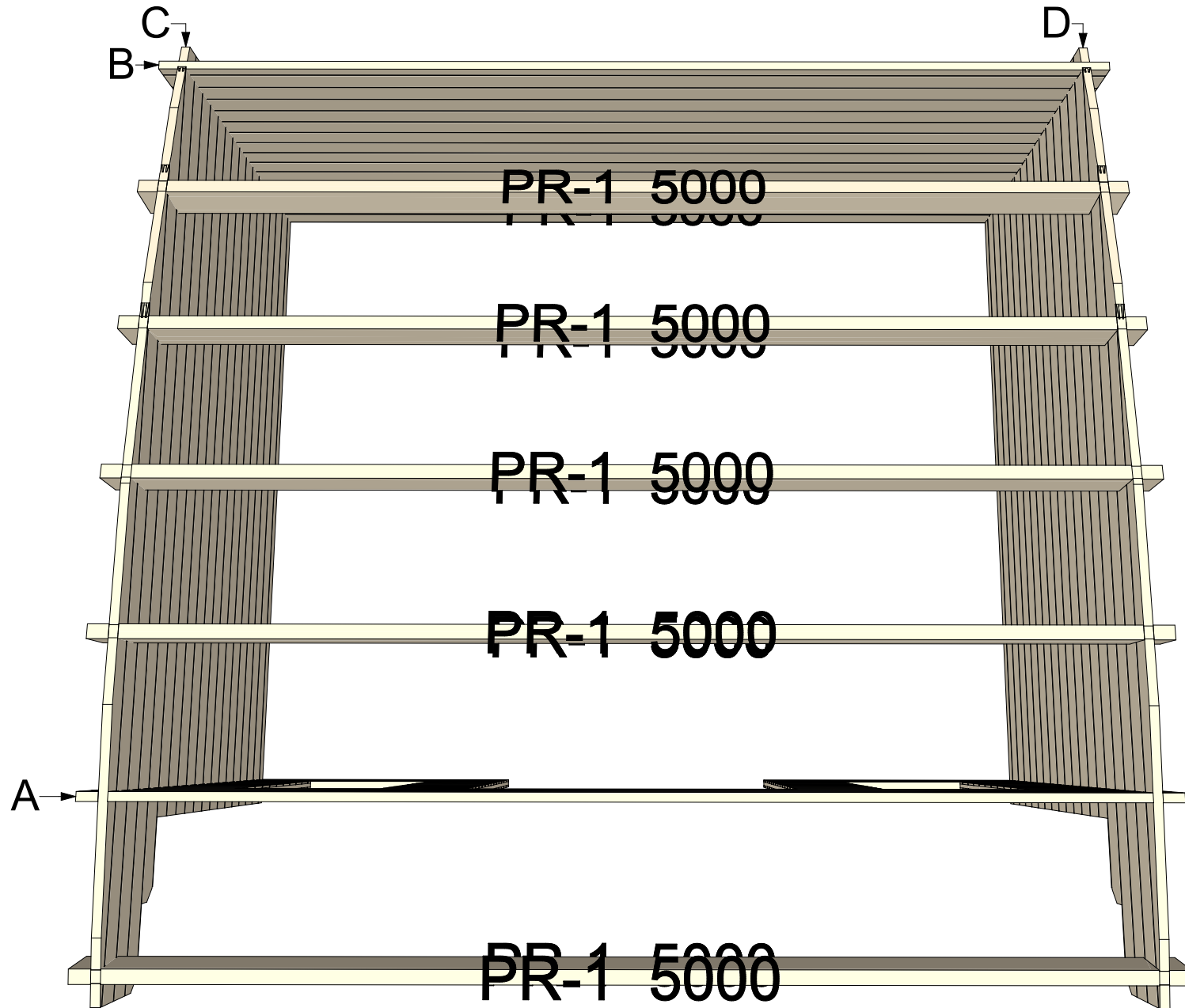


Roof boards

1:50



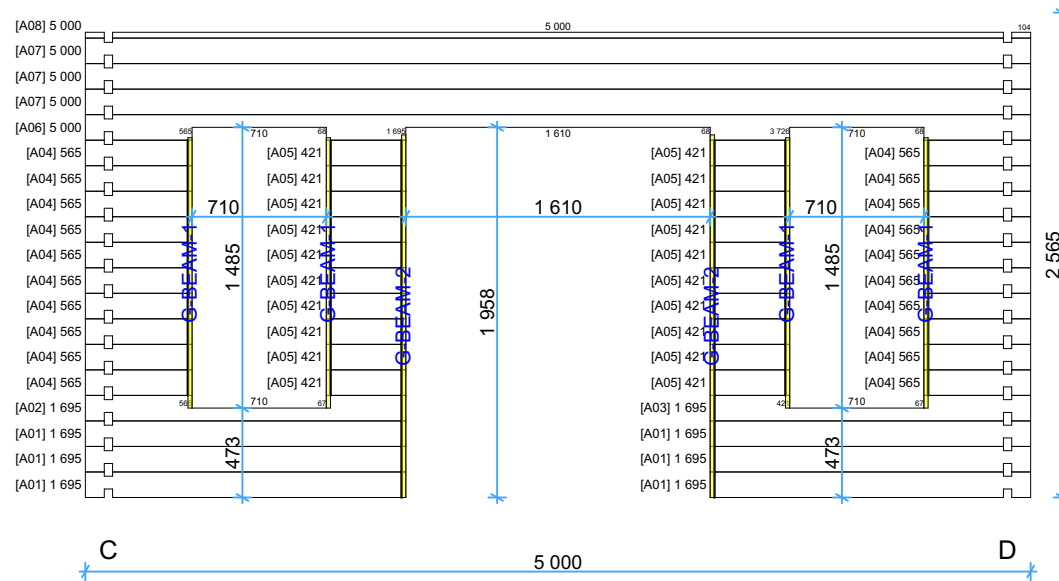
Thickness:	Project name:	Project ID:	Year:	Page:
44	Slough		2023	3



Thickness:	Project name:	Project ID:	Year:	Page:
44	Slough		2023	4

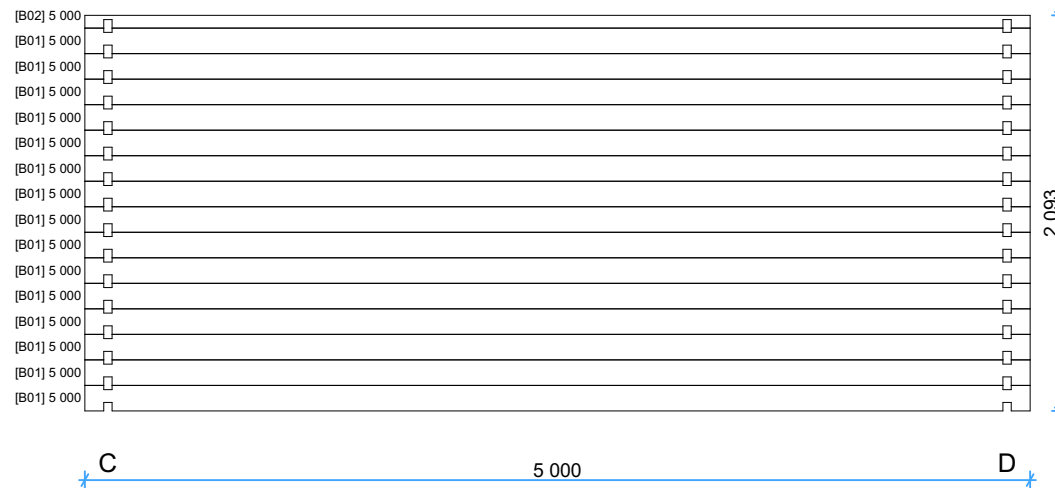
**Wall A**

1:40



**Wall B**

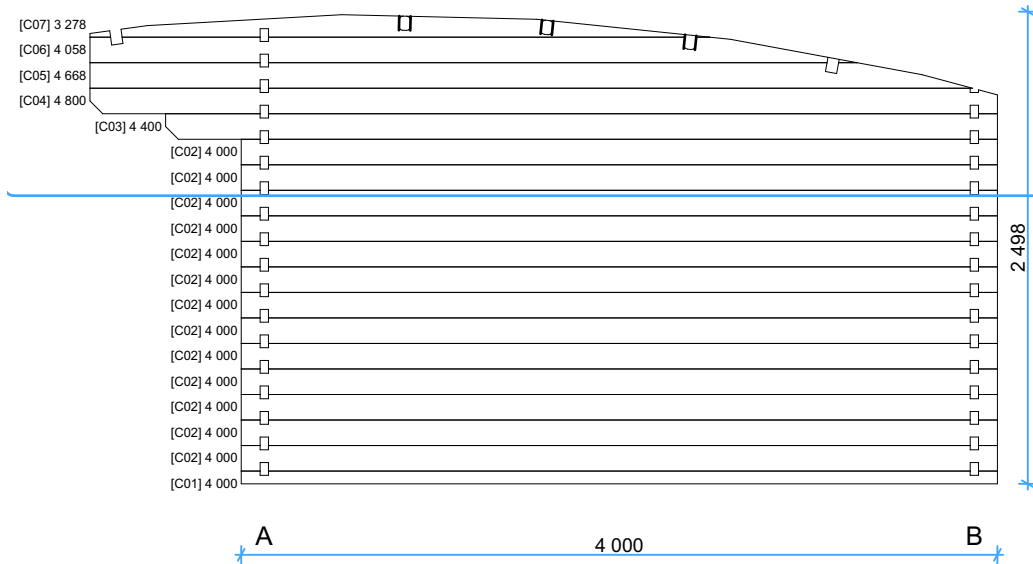
1:40



Thickness:	Project name:	Project ID:	Year:	Page:
44	Slough		2023	5

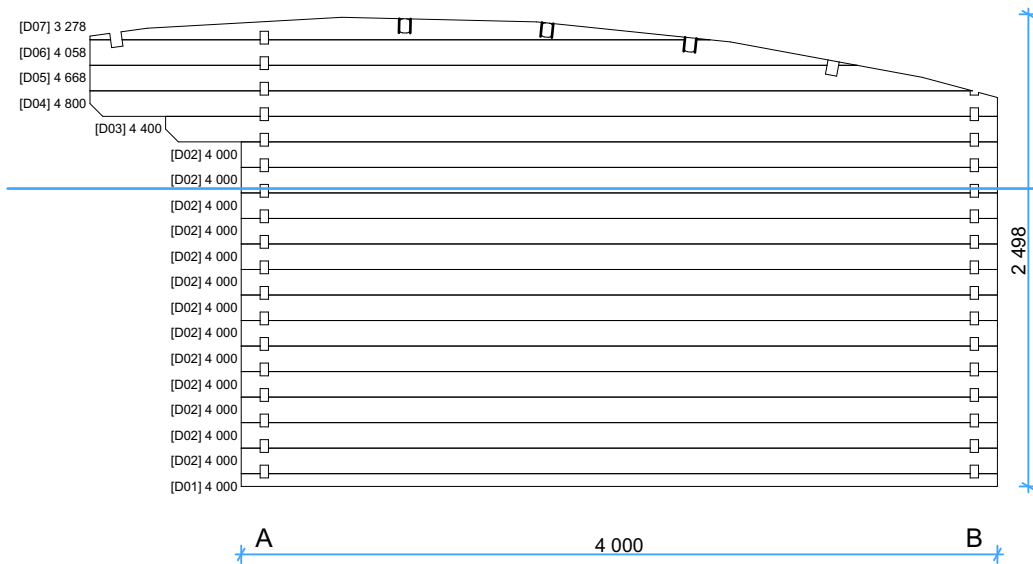
**Wall C**

1:40



**Wall D**

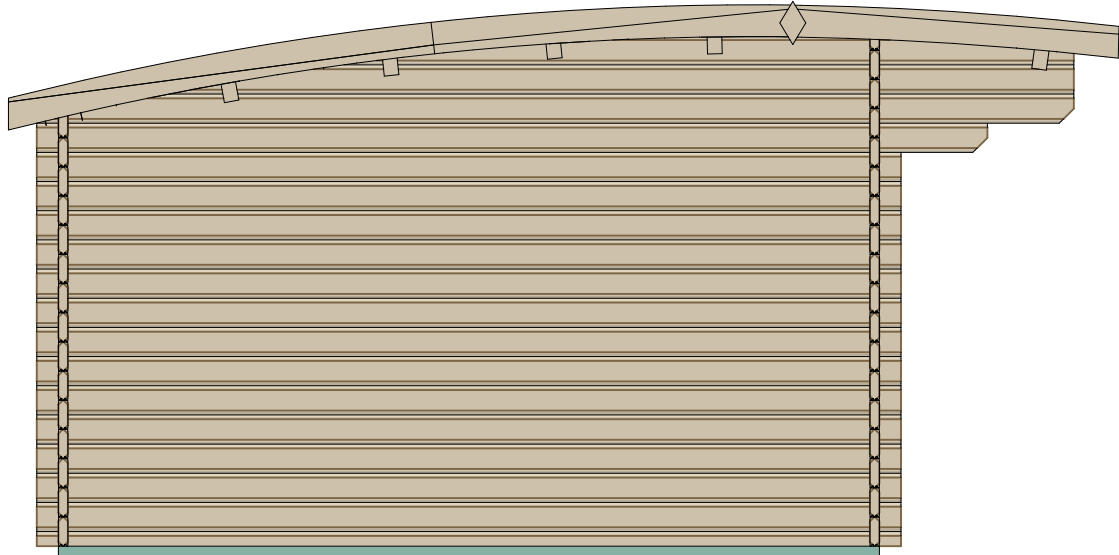
1:40



Thickness:	Project name:	Project ID:	Year:	Page:
44	Slough		2023	6

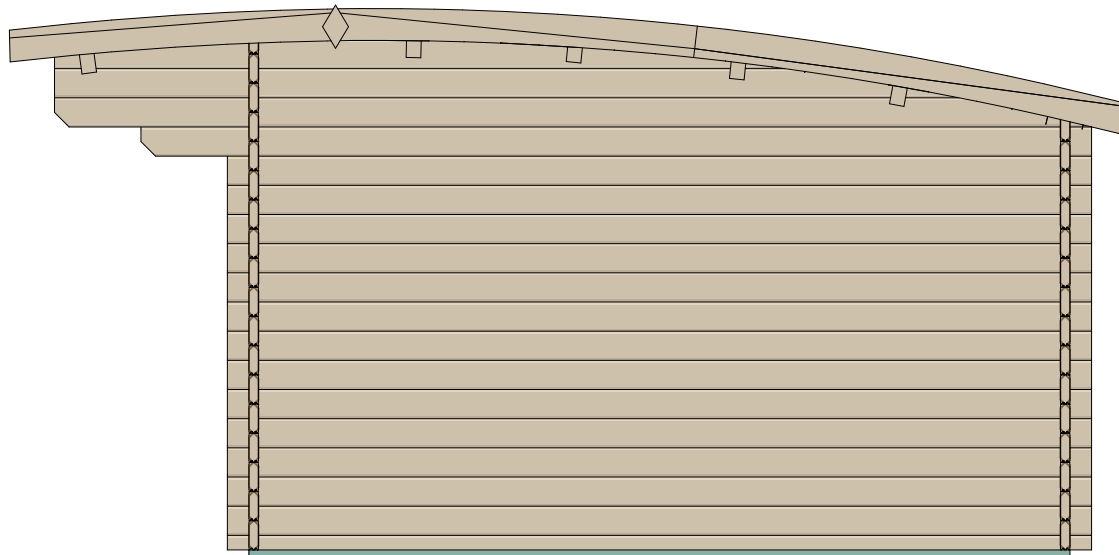
Left Elevation

1:35



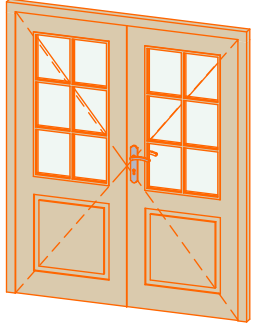
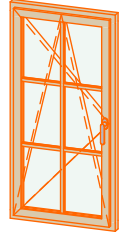
Right Elevation

1:35



Thickness:	Project name:	Project ID:	Year:	Page:
44	Slough		2023	7

**44mm Slough Windows and doors list**

Type-quality	Barcode	Wall Thickness	W x H Size	Orientation	Glazing	Quantity	3D Axonometry
Door - Premium	PP198160-2	44	1 600×1 918	R	50% glass, double glazed, Safety glass	1	
Window - Premium plus	P+P14370	44	700×1 430	L	Double glazed, Safety glass	1	
Window - Premium plus	P+P14370	44	700×1 430	R	Double glazed, Safety glass	1	