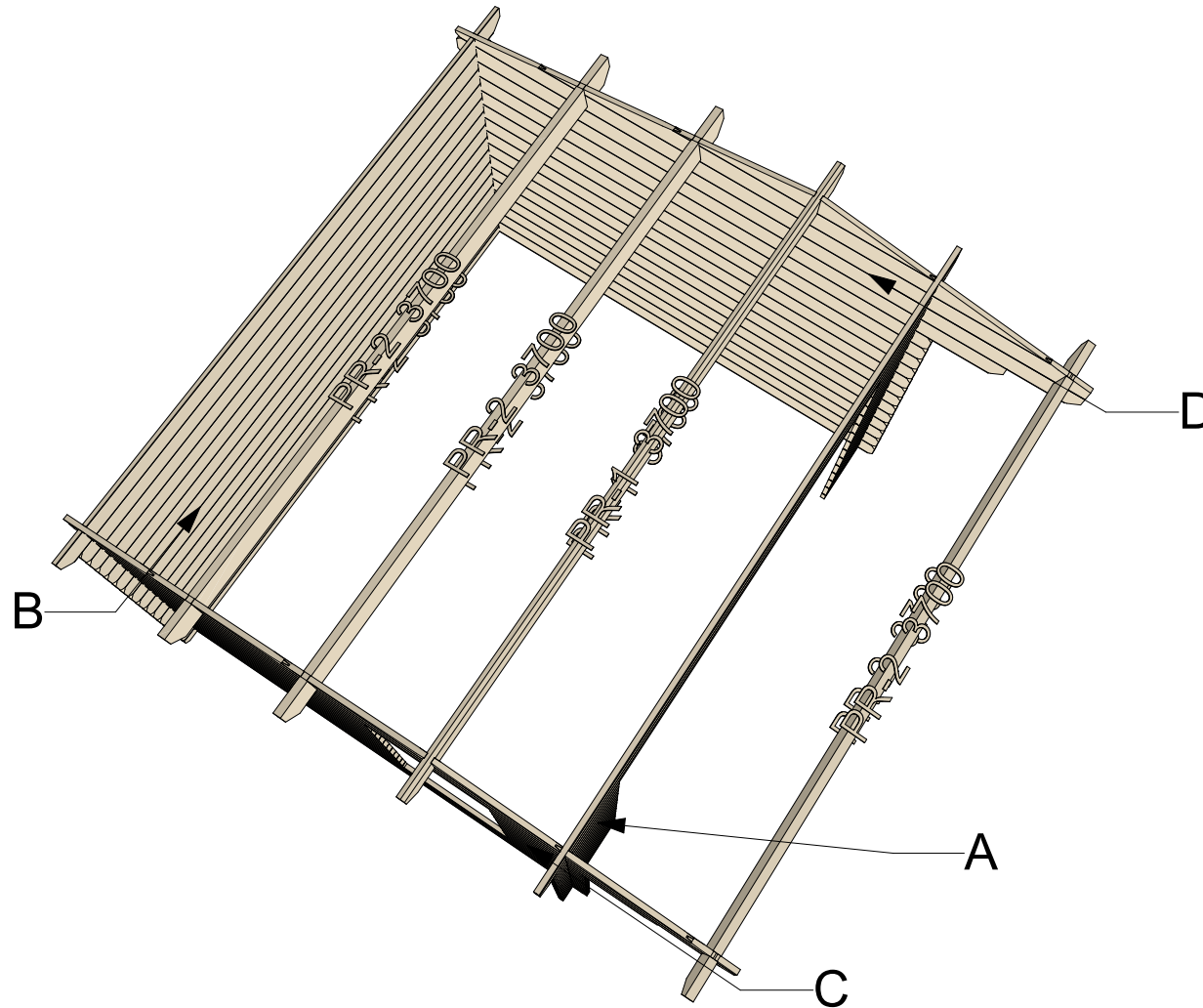




28 Paddock Wood 3,5x3

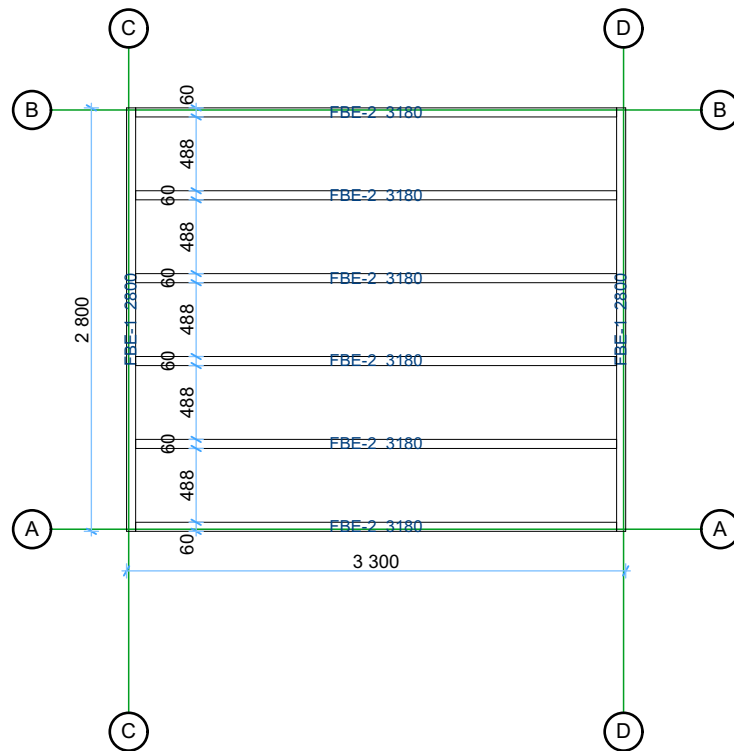
Walls and purlins positions



Thickness:	Project name:	Project ID:	Year:	Page:
28	Paddock Wood 3,5x3		2022	2

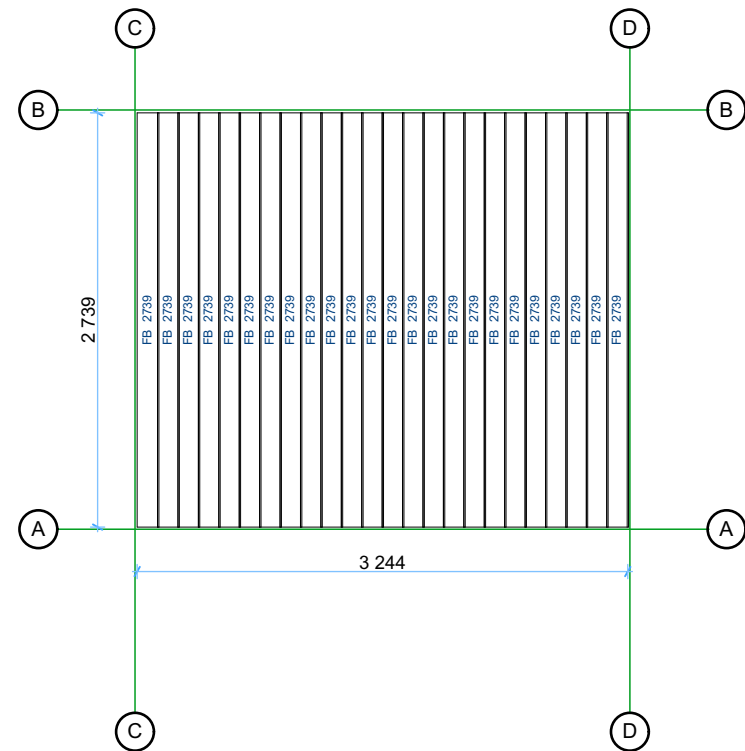
Floor bearers plan

1:50



Floor boards plan

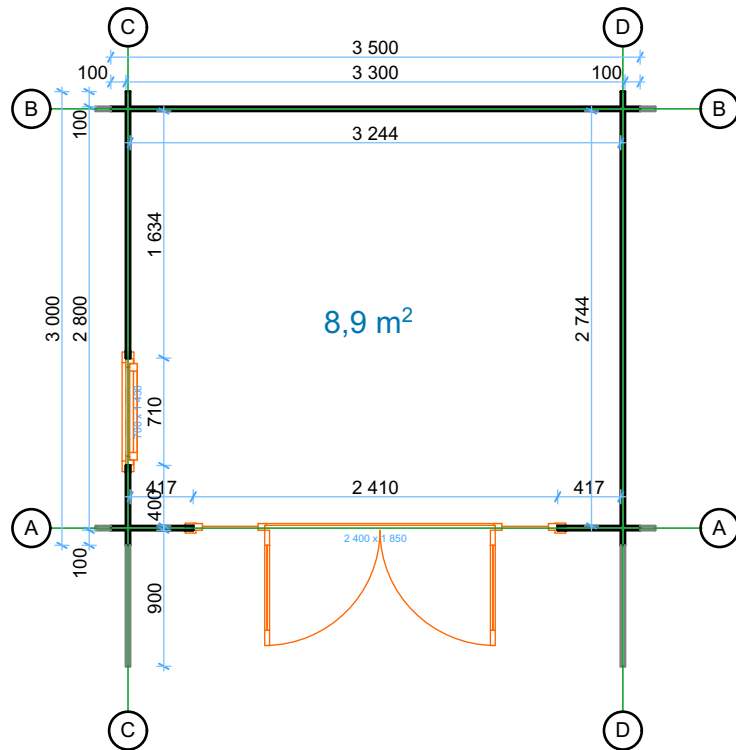
1:50



Thickness:	Project name:	Project ID:	Year:	Page:
28	Paddock Wood 3,5x3		2022	3

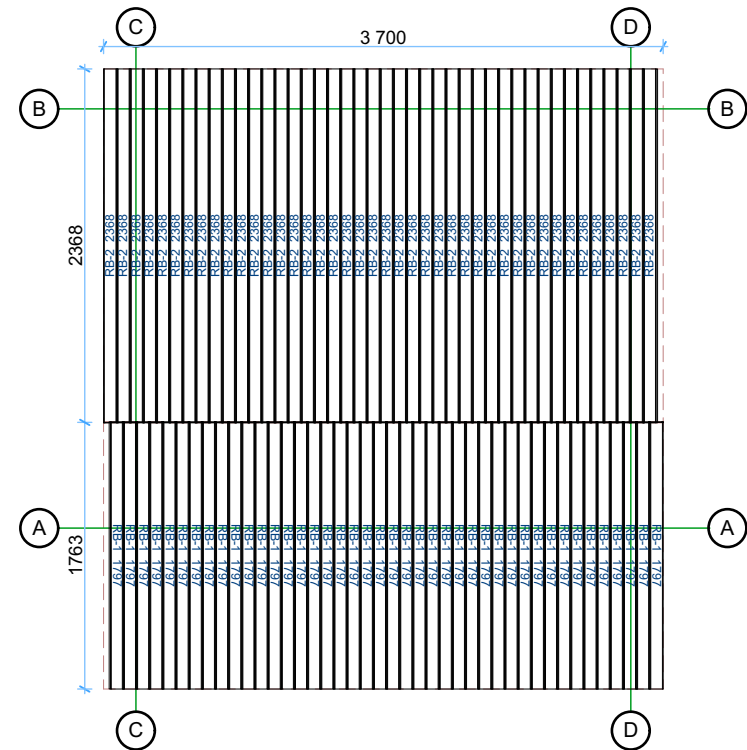
Ground floor plan

1:50



Roof boards plan

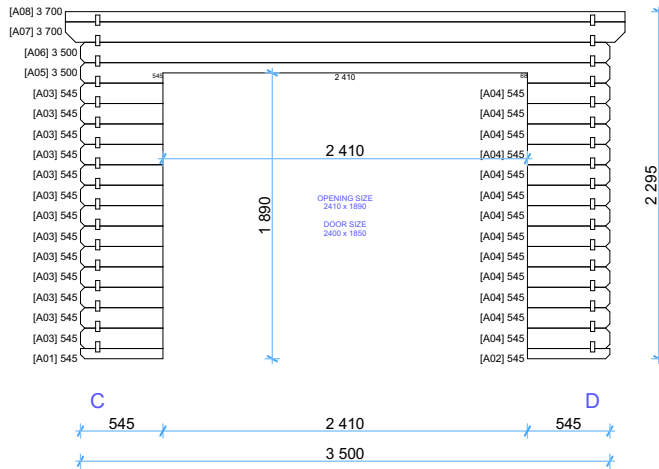
1:50



Thickness:	Project name:	Project ID:	Year:	Page:
28	Paddock Wood 3,5x3		2022	4

Wall A

1:50



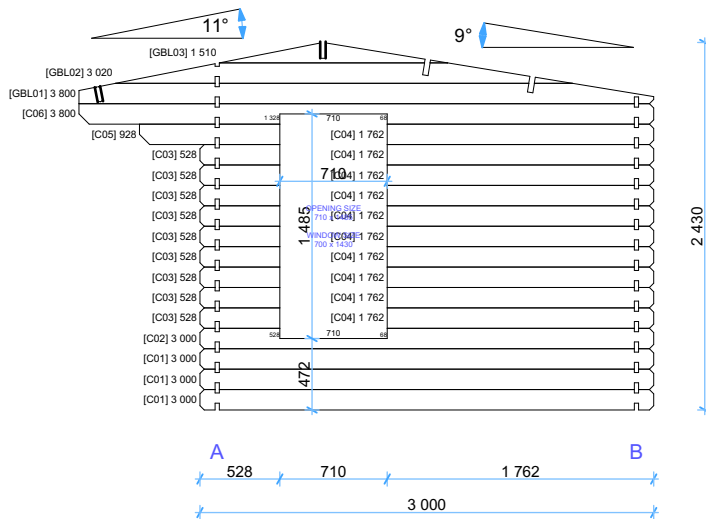
Wall B

1:50



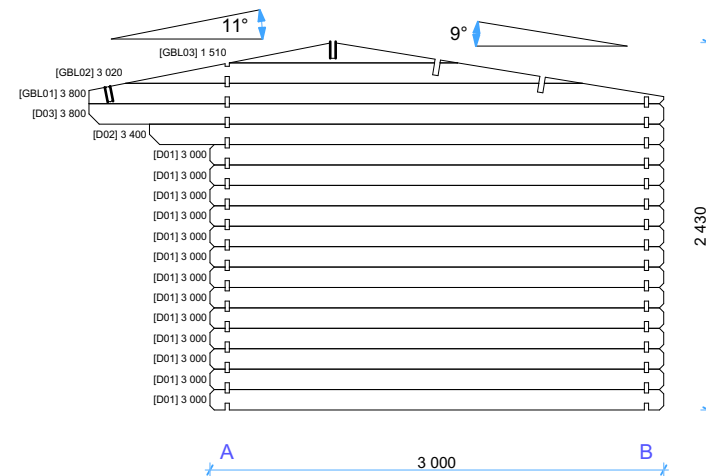
Wall C

1:50

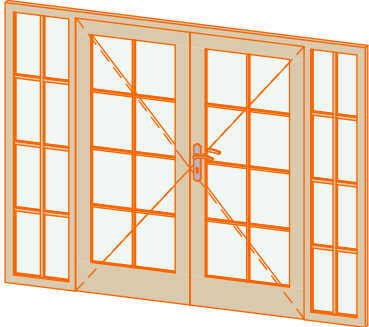
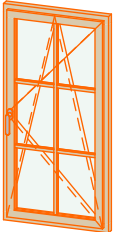


Wall D

1:50



Thickness:	Project name:	Project ID:	Year:	Page:
28	Paddock Wood 3,5x3		2022	5

Windows and doors list							
Type-quality	Barcode	Wall Thickness	W x H Size	Orientation	Glazing	Quantity	3D Axonometry
Door - Economy	DG185240-4	28	2 400×1 850	R	100%, double glazed	1	
Window - Economy	DG14370	28	700×1 430	R	Double glazed	1	

Thickness:	Project name:	Project ID:	Year:	Page:
28	Paddock Wood 3,5x3		2022	6