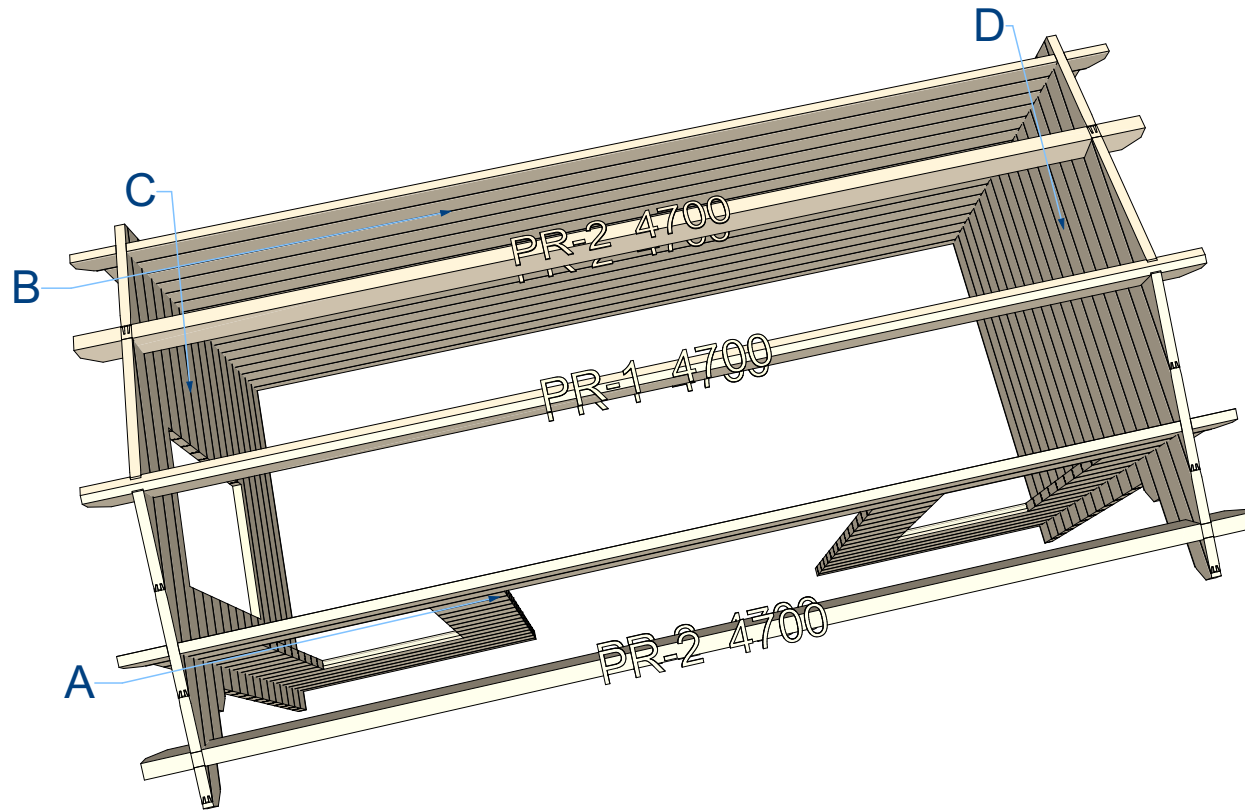




44 Norwich 2x4,5

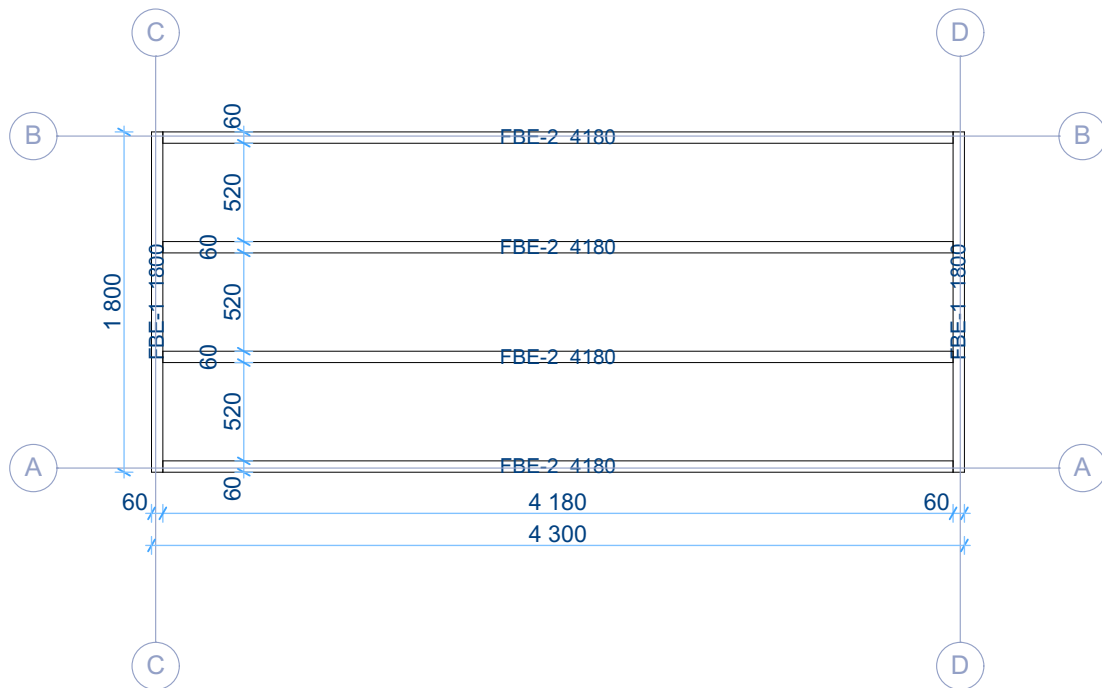
Walls and purlins positions



Thickness:	Project name:	Project ID:	Year:	Page:
44	Norwich 2x4,5		2023	2

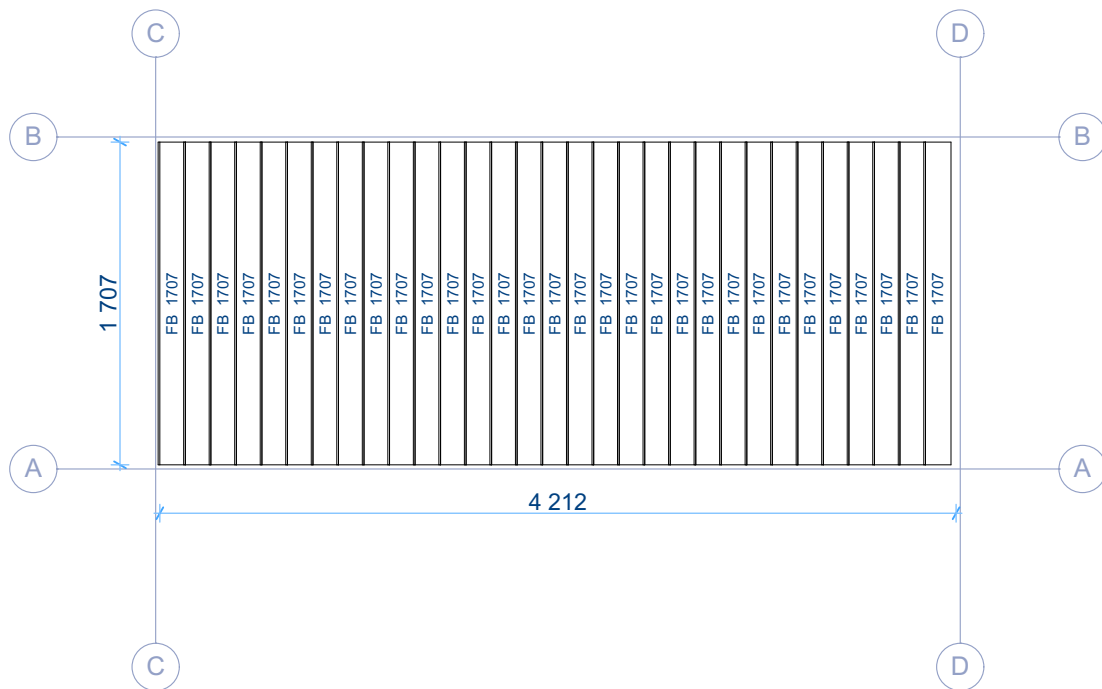
Floor bearers

1:40



Floor boards

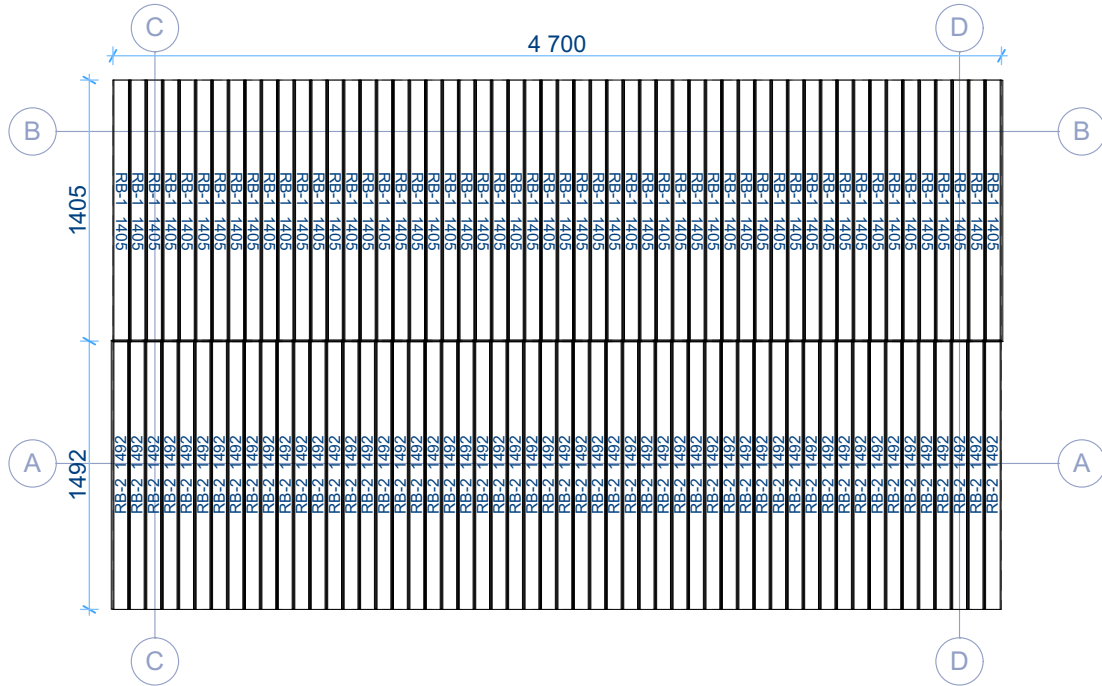
1:40



Thickness:	Project name:	Project ID:	Year:	Page:
44	Norwich 2x4,5		2023	3

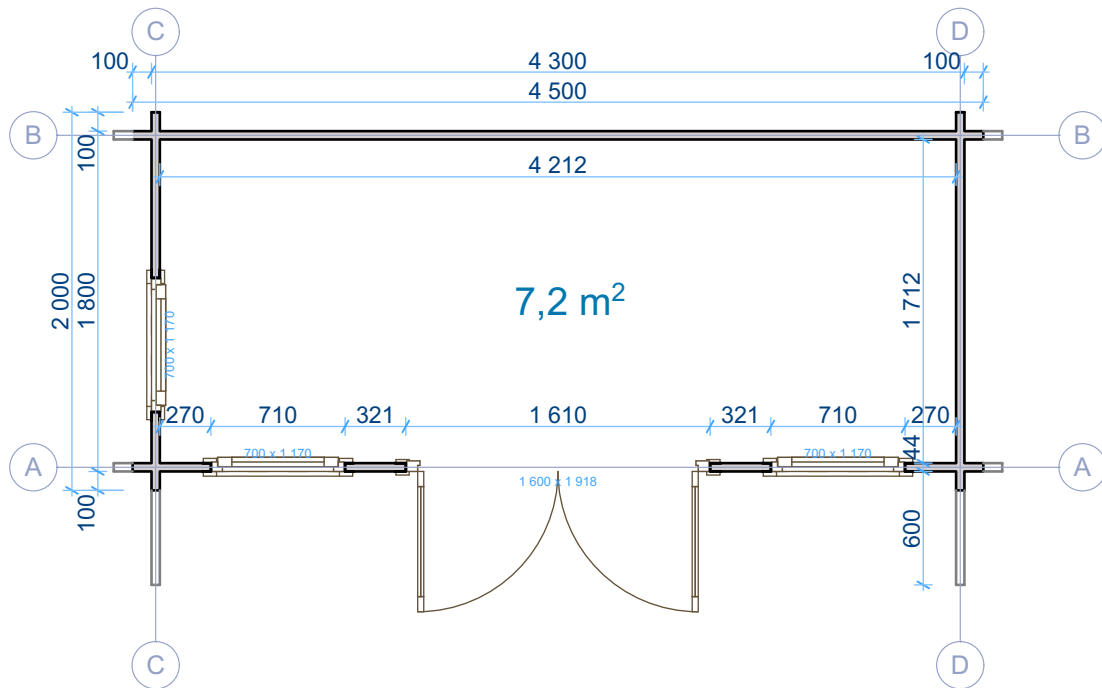
Roof boards

1:40



Ground floor plan

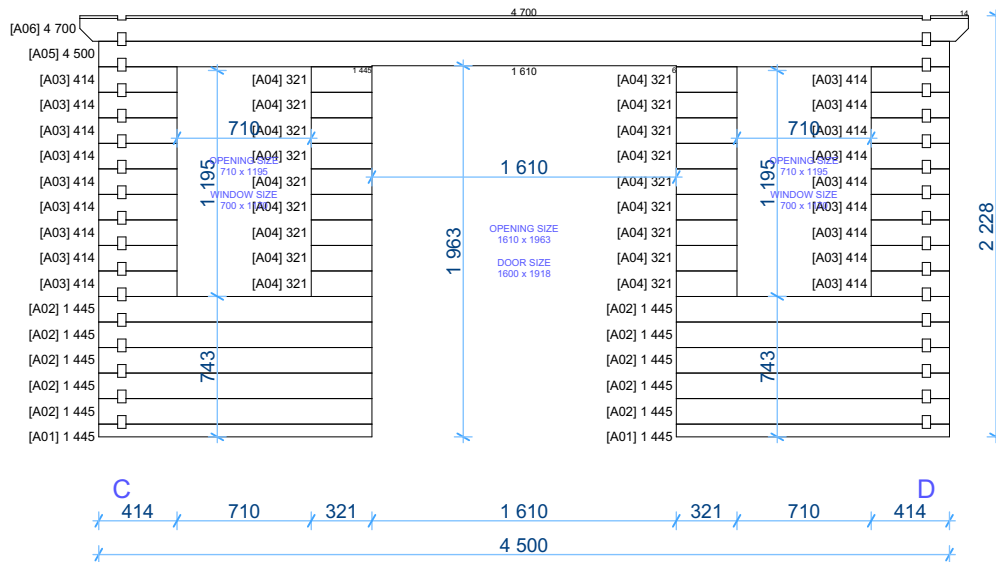
1:40



Thickness:	Project name:	Project ID:	Year:	Page:
44	Norwich 2x4,5		2023	4

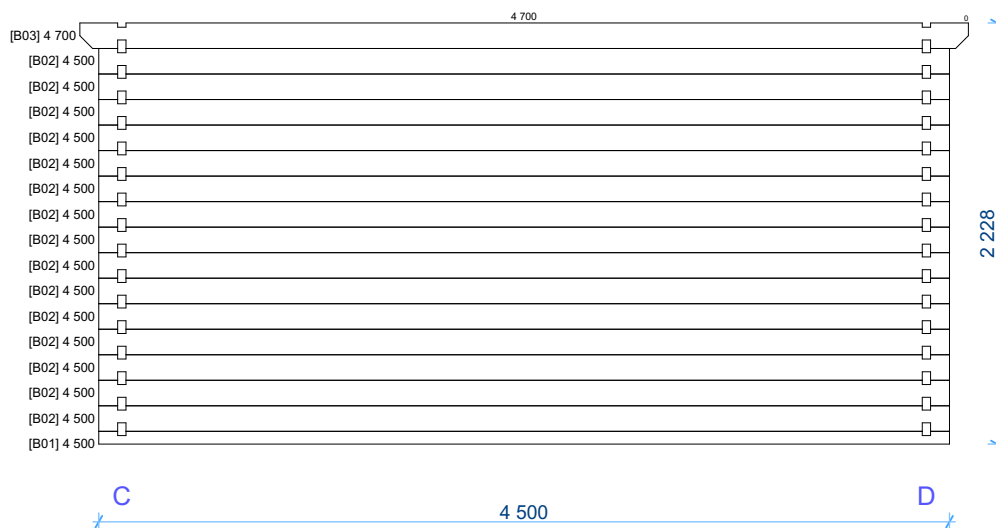
Wall A

1:40



Wall B

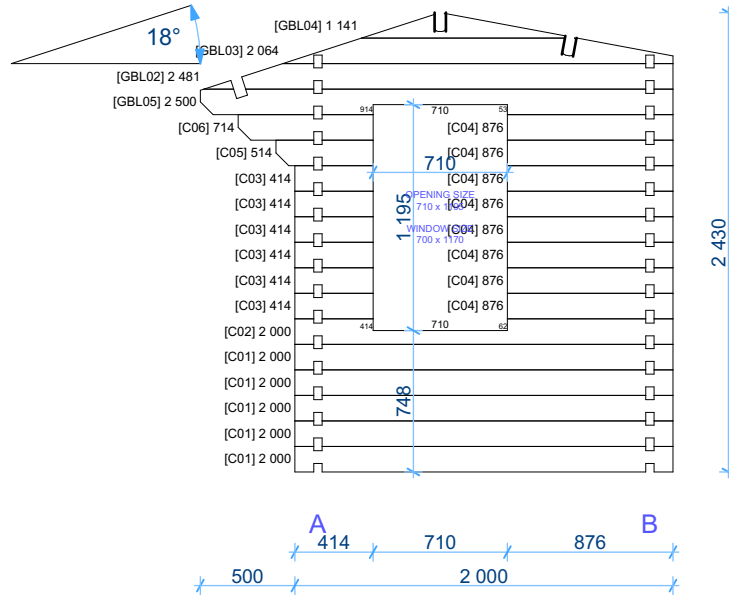
1:40



Thickness:	Project name:	Project ID:	Year:	Page:
44	Norwich 2x4,5		2023	5

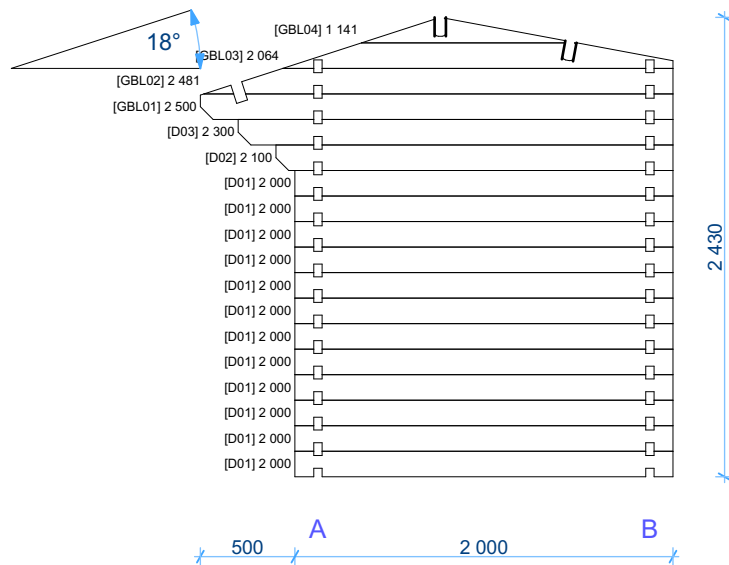
Wall C

1:40

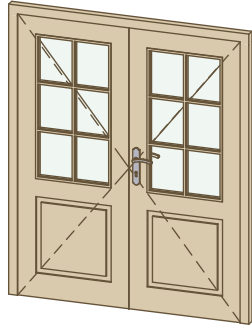




Wall D

1:40



Thickness:	Project name:	Project ID:	Year:	Page:
44	Norwich 2x4,5		2023	6

Windows and doors list							
Type-quality	Barcode	Wall Thickness	W x H Size	Orientation	Glazing	Quantity	3D Axonometry
Door - Premium	PG192160-2	44	1 600×1 918	R	50% glass, double glazed, safety (toughened) glass	1	
Window - Premium plus	P+G11770	44	700×1 170	L	Double glazed, safety (toughened) glass	1	
Window - Premium plus	P+G11770	44	700×1 170	R	Double glazed, safety (toughened) glass	2	

Thickness:	Project name:	Project ID:	Year:	Page:
44	Norwich 2x4,5		2023	7