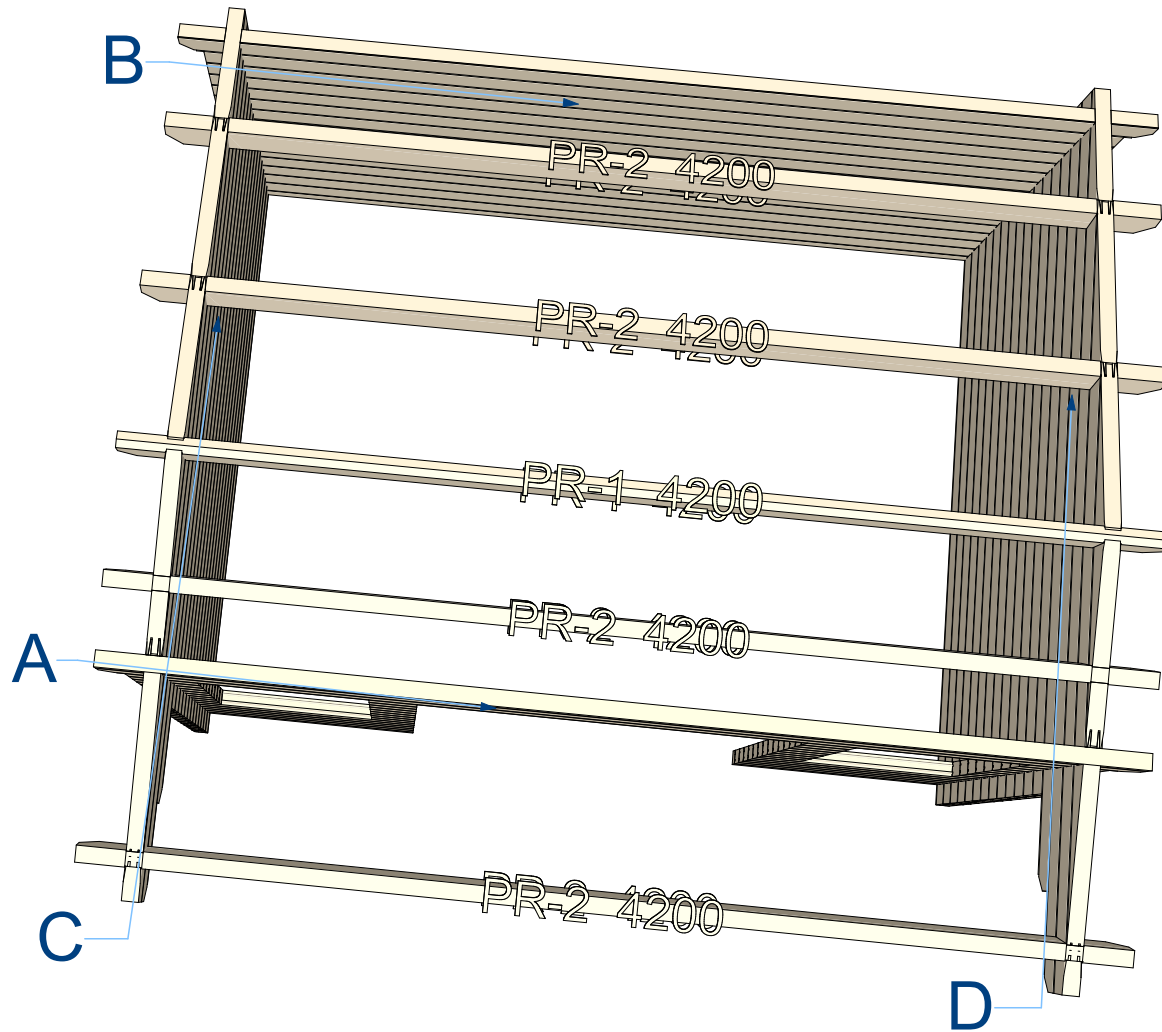




68 Northampton 4x3

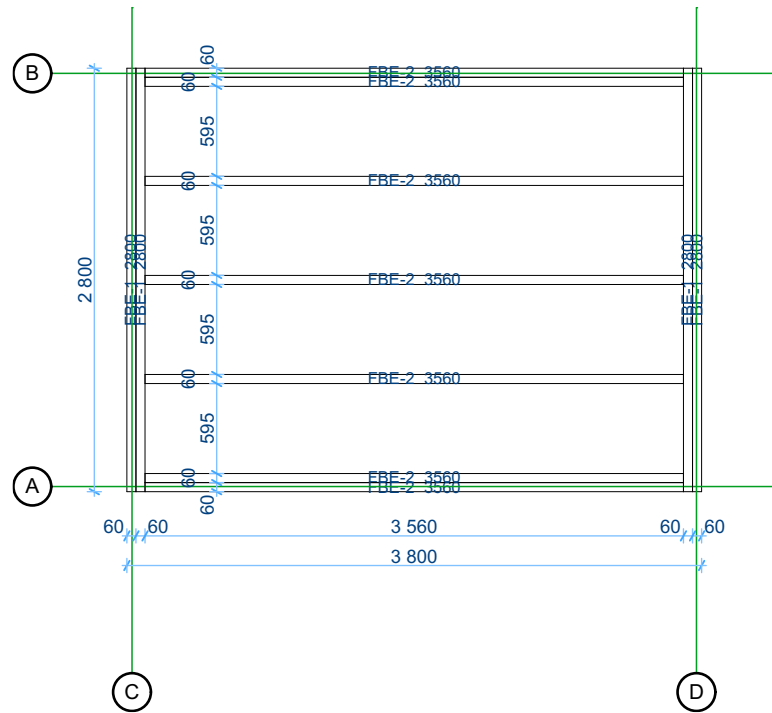
Walls and purlins positions



Thickness:	Project name:	Project ID:	Year:	Page:
68	Northampton 4x3		2023	2

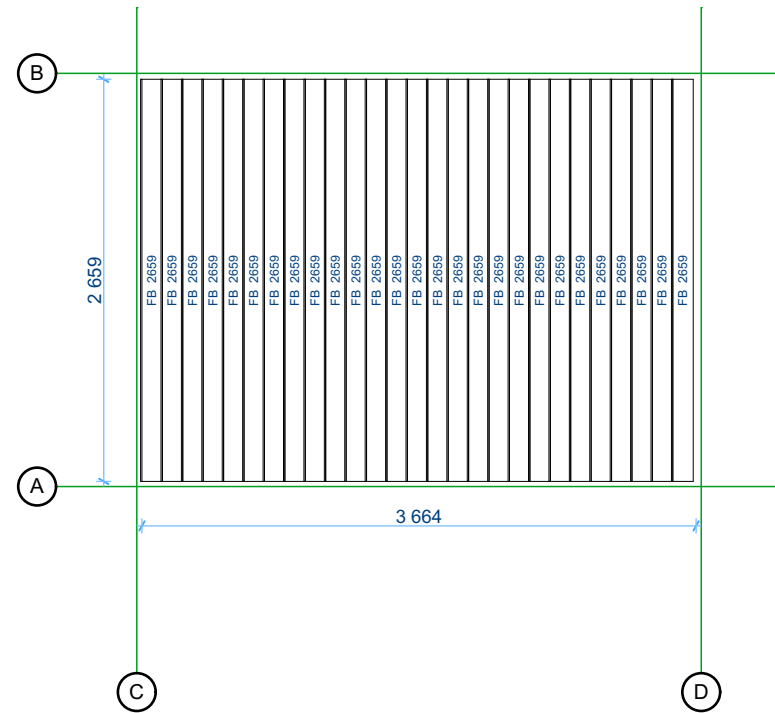
Floor bearers

1:50



Floor boards

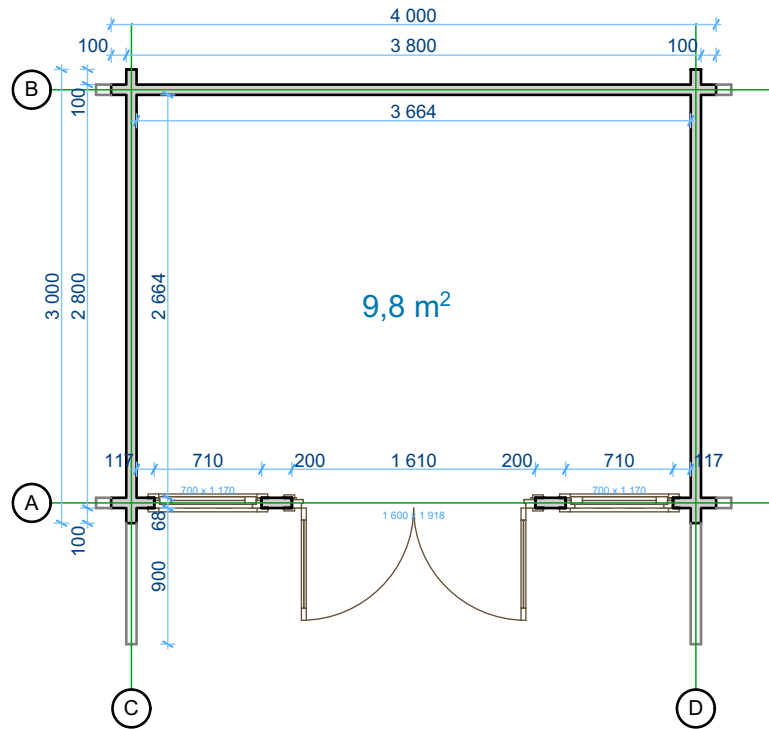
1:50



Thickness:	Project name:	Project ID:	Year:	Page:
68	Northampton 4x3		2023	3

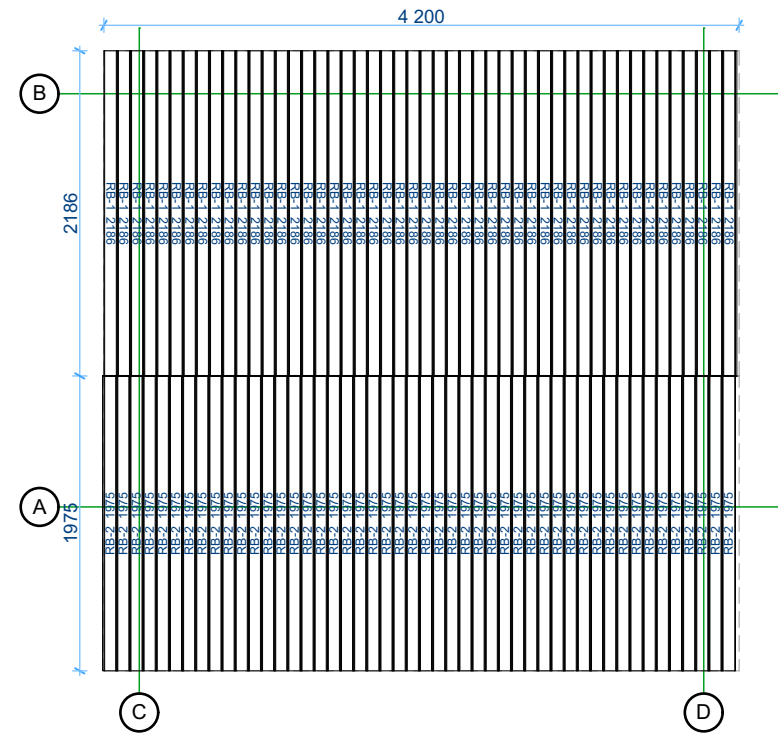
Ground floor plan

1:50



Roof boards

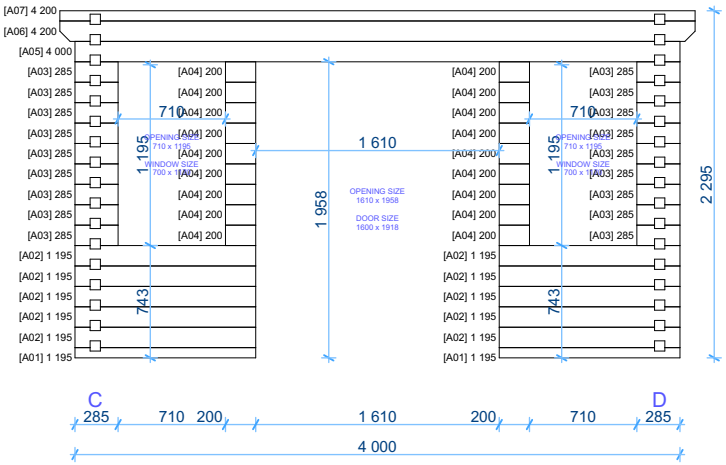
1:50



Thickness:	Project name:	Project ID:	Year:	Page:
68	Northampton 4x3		2023	4

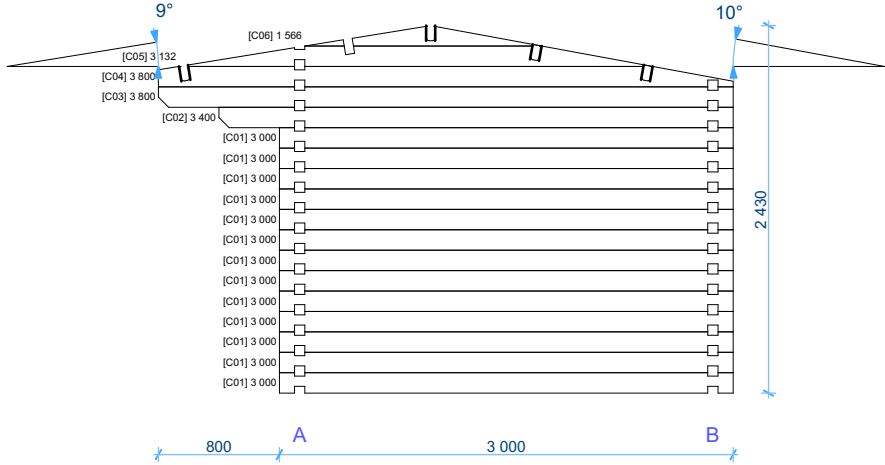
Wall A

1:50



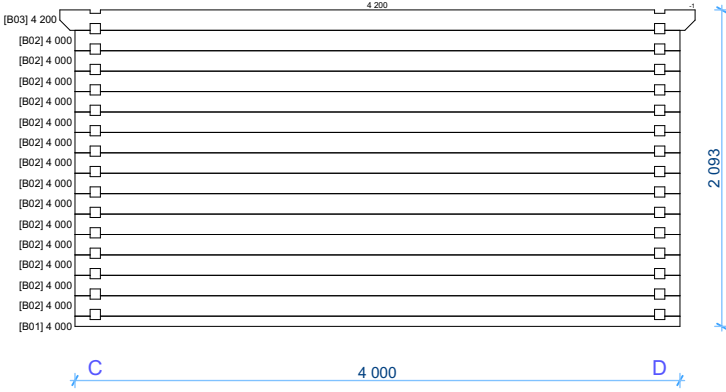
Wall C

1:50



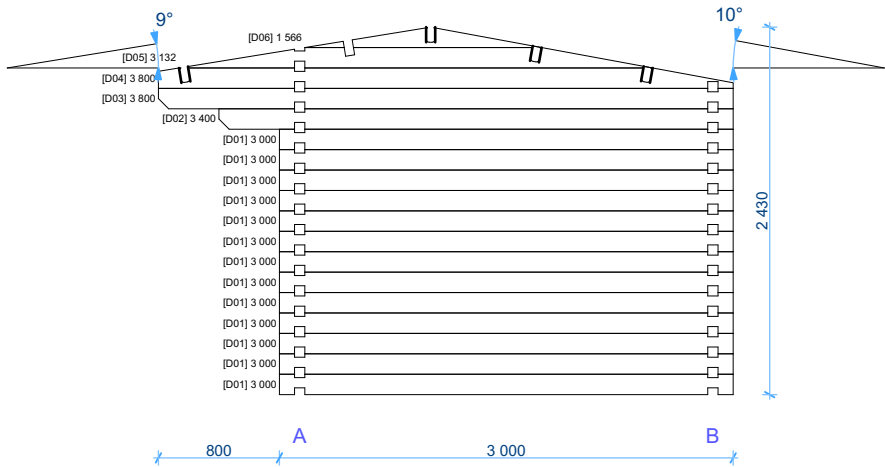
Wall B

1:50

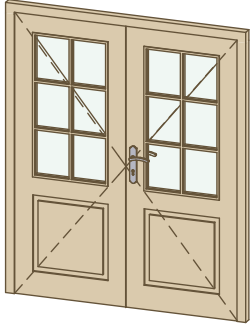




Wall D

1:50



Thickness:	Project name:	Project ID:	Year:	Page:
68	Northampton 4x3		2023	5

Windows and doors list							
Type-quality	Barcode	Wall Thickness	W x H Size	Orientation	Glazing	Quantity	3D Axonometry
Door - Premium	PG192160-2	68	1 600×1 918	R	50% glass, double glazed, safety (toughened) glass	1	
Window - Premium plus	P+G11770	68	700×1 170	L	Double glazed, safety (toughened) glass	1	
Window - Premium plus	P+G11770	68	700×1 170	R	Double glazed, safety (toughened) glass	1	

Thickness:	Project name:	Project ID:	Year:	Page:
68	Northampton 4x3		2023	6