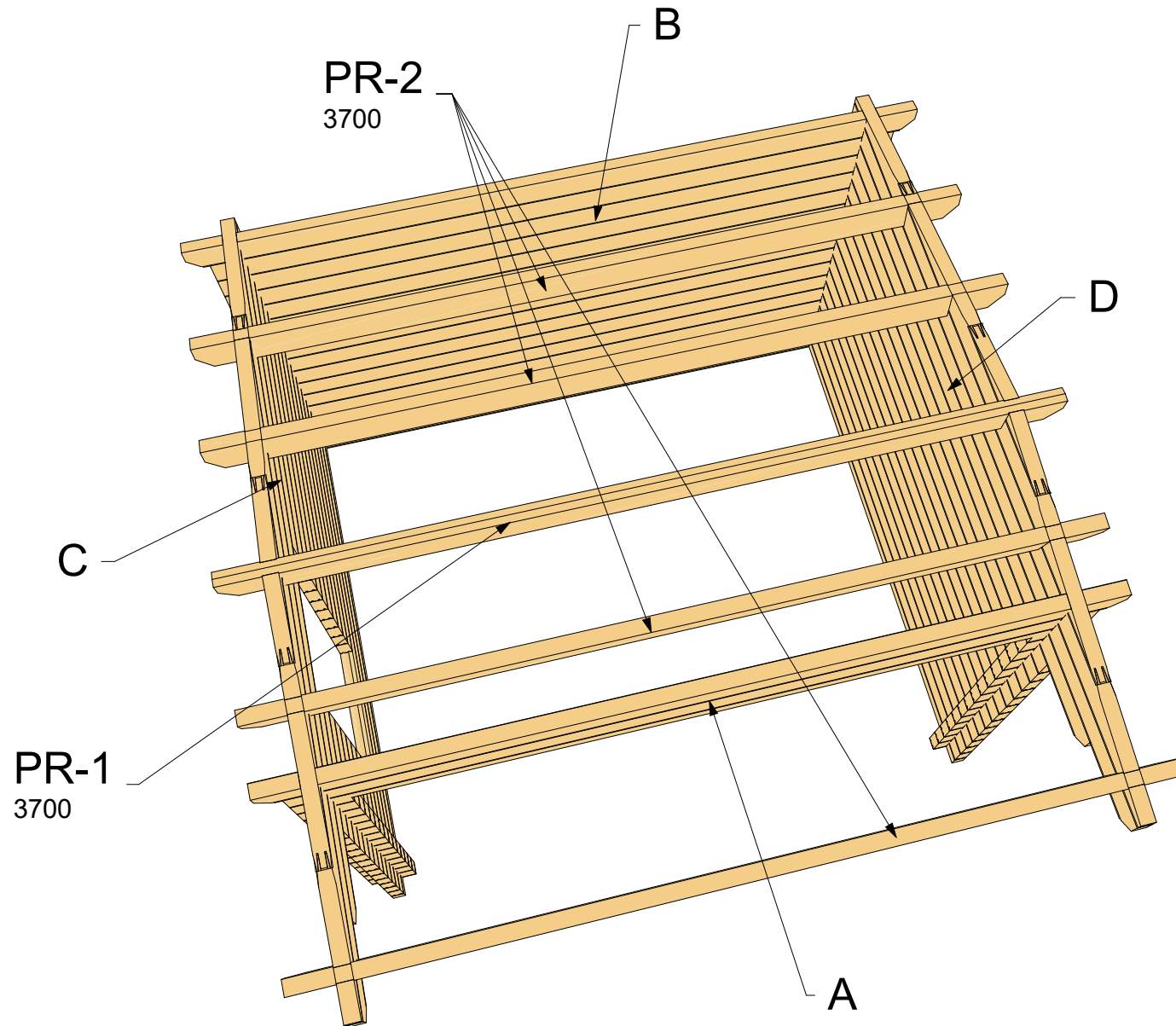




68mm Milton Keynes 3,5x3

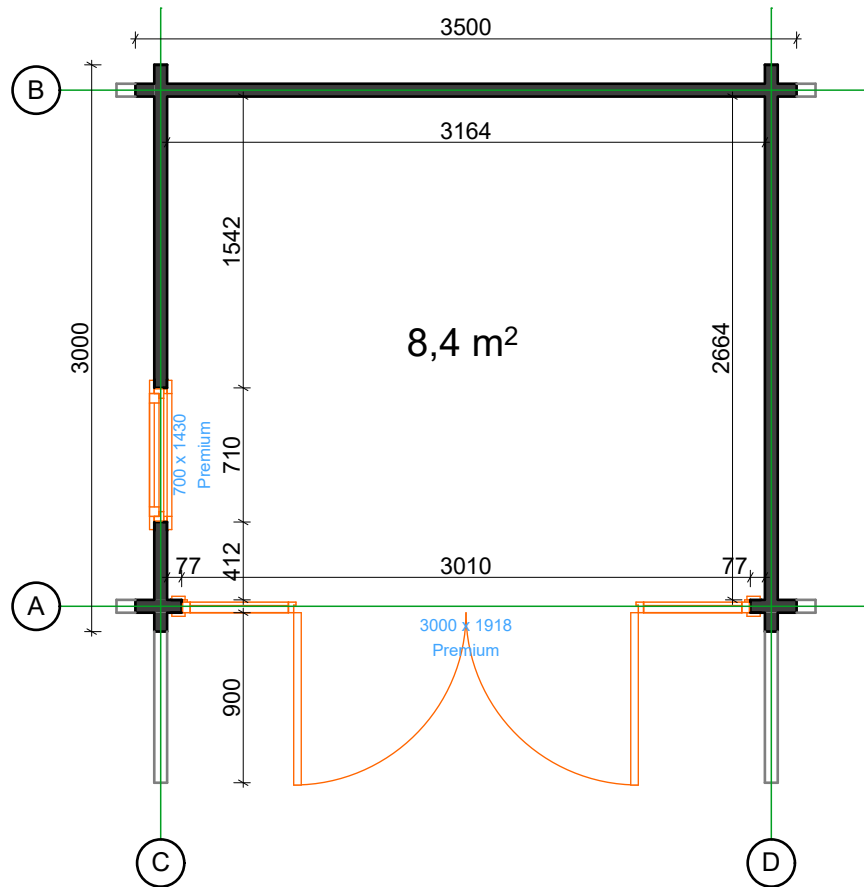
Architect name:	Thickness:	Type:	Project name:	Project No:	Year:	Page:
Gytis Buda	68mm	Standard	Milton Keynes 3,5x3		2020	1



Architect name:	Thickness:	Type:	Project name:	Project No:	Year:	Page:
Gytis Buda	68mm	Standard	Milton Keynes 3,5x3		2020	2

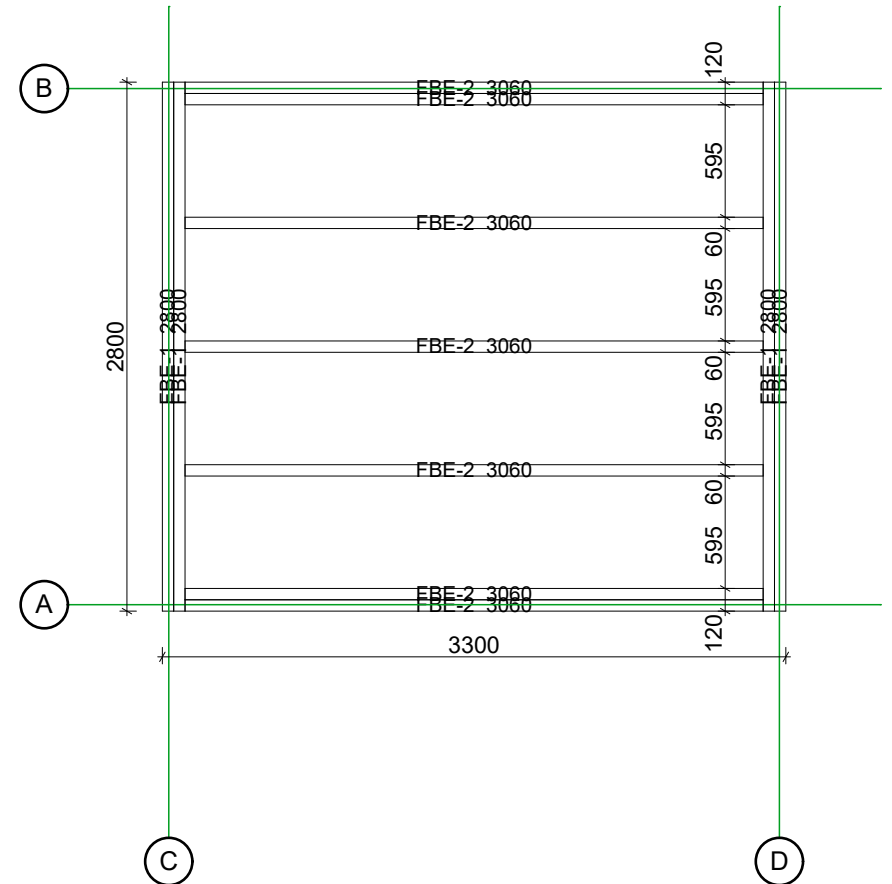
Ground floor plan

1:40



Floor bearers

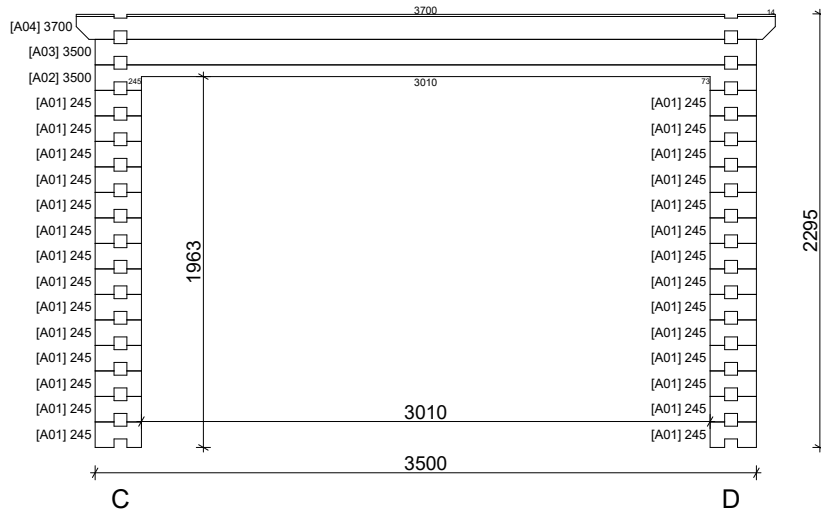
1:40



Architect name:	Thickness:	Type:	Project name:	Project No:	Year:	Page:
Gytis Buda	68mm	Standard	Milton Keynes 3,5x3		2020	3

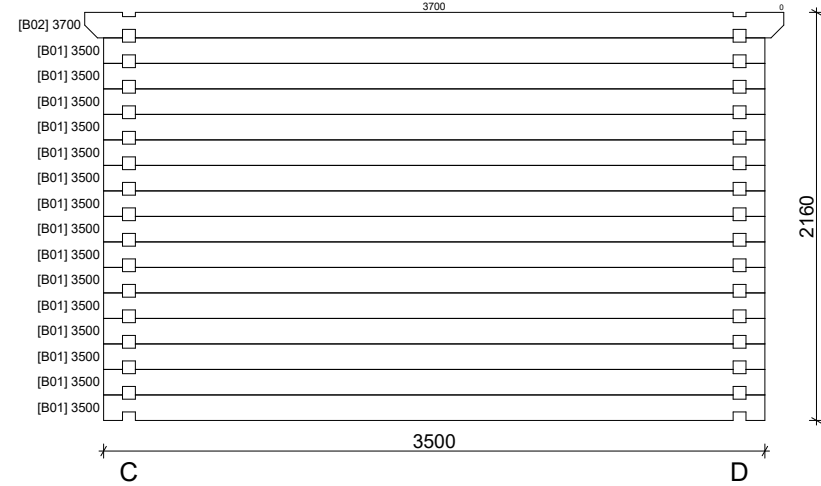
Wall A

1:40



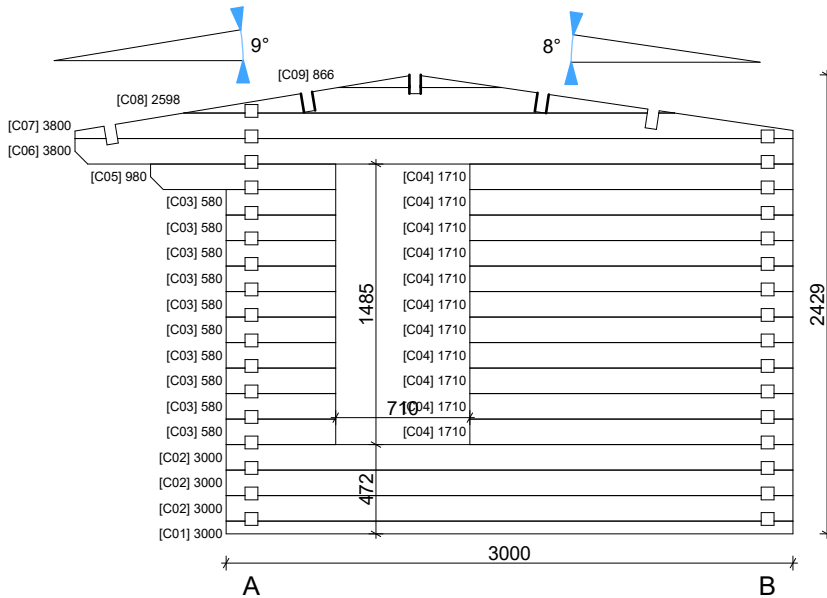
Wall B

1:40



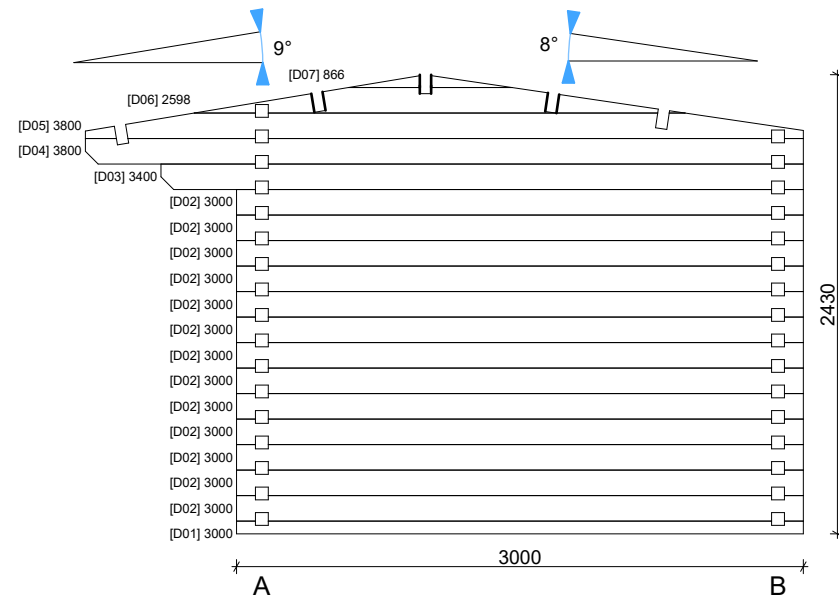
Wall C

1:40



Wall D

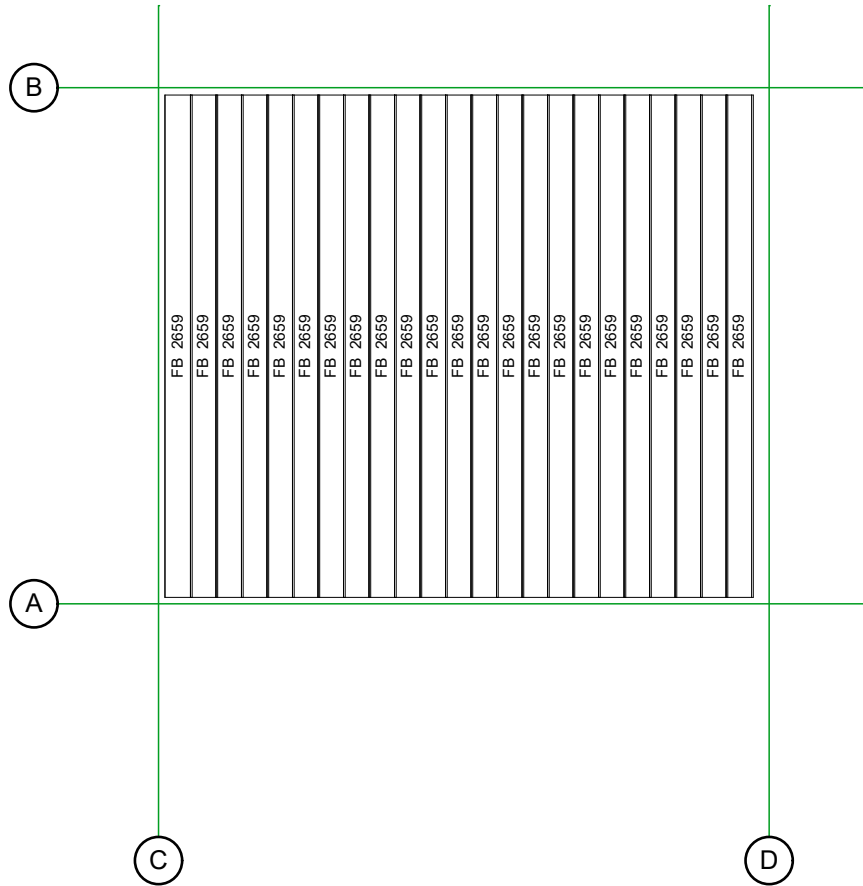
1:40



Architect name:	Thickness:	Type:	Project name:	Project No:	Year:	Page:
Gytis Buda	68mm	Standard	Milton Keynes 3,5x3		2020	4

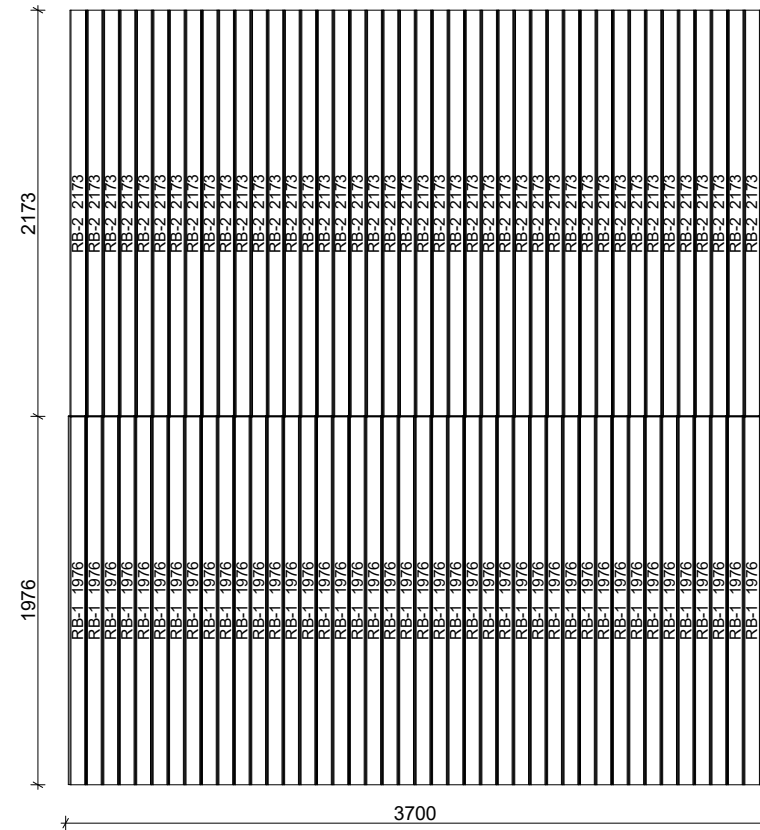
Floor boards

1:40



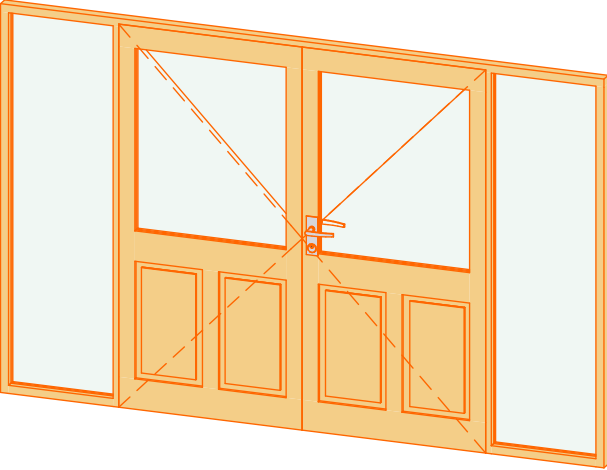
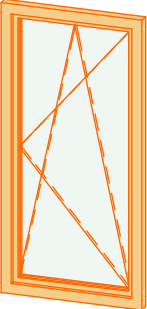
Roof boards

1:40



Architect name:	Thickness:	Type:	Project name:	Project No:	Year:	Page:
Gytis Buda	68mm	Standard	Milton Keynes 3,5x3		2020	5

68mm Milton Keynes 3,5x3 windows and doors list

Type	Quality	Nominal W x H Size	Orient ation	Glazing	Qty	3D Front Axonometry
Door	Premium	3000x1918	R	Door - 50% glass and side fixed windows 100% glass, double glazed, safety (toughened) glass	1	
Window	Premium	700x1430	R	Double glazed, safety (toughened) glass	1	

Architect name:	Thickness:	Type:	Project name:	Project No:	Year:	Page:
Gytis Buda	68mm	Standard	Milton Keynes 3,5x3		2020	6