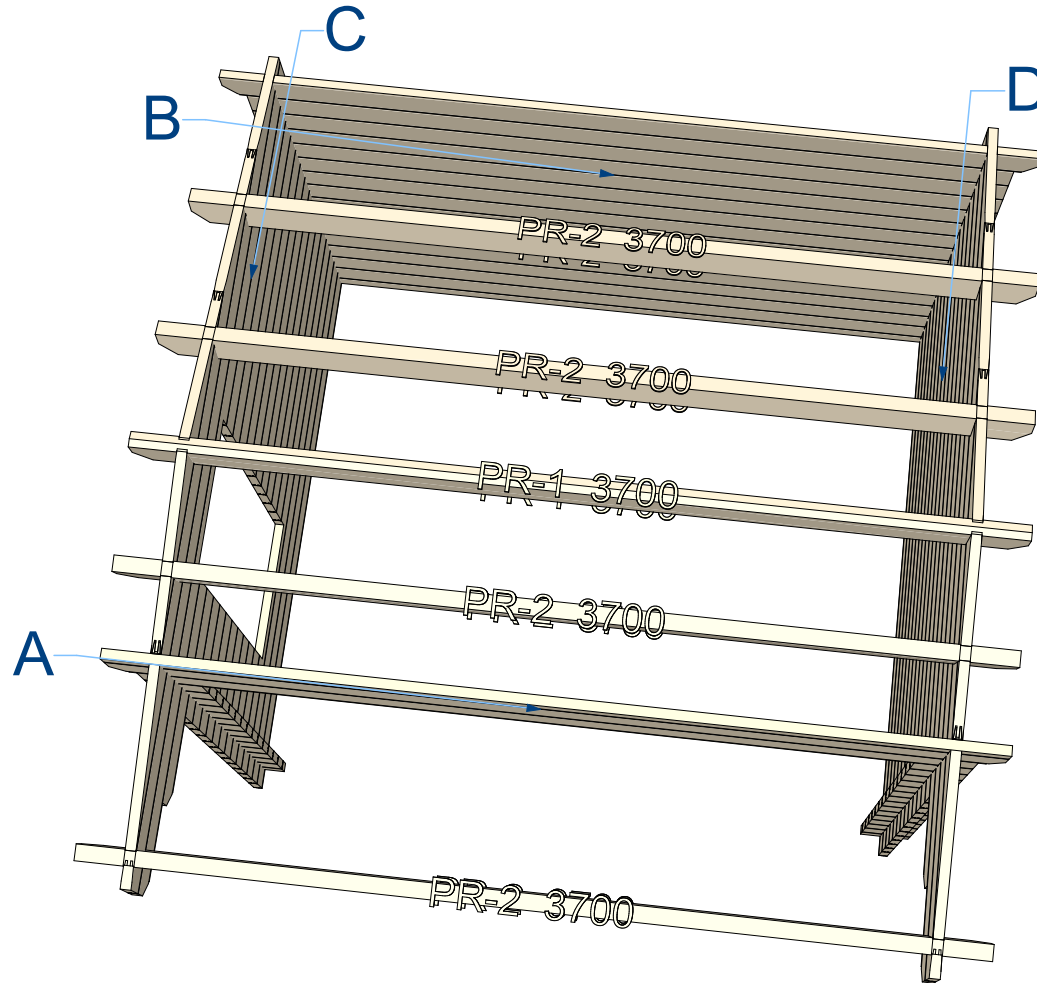




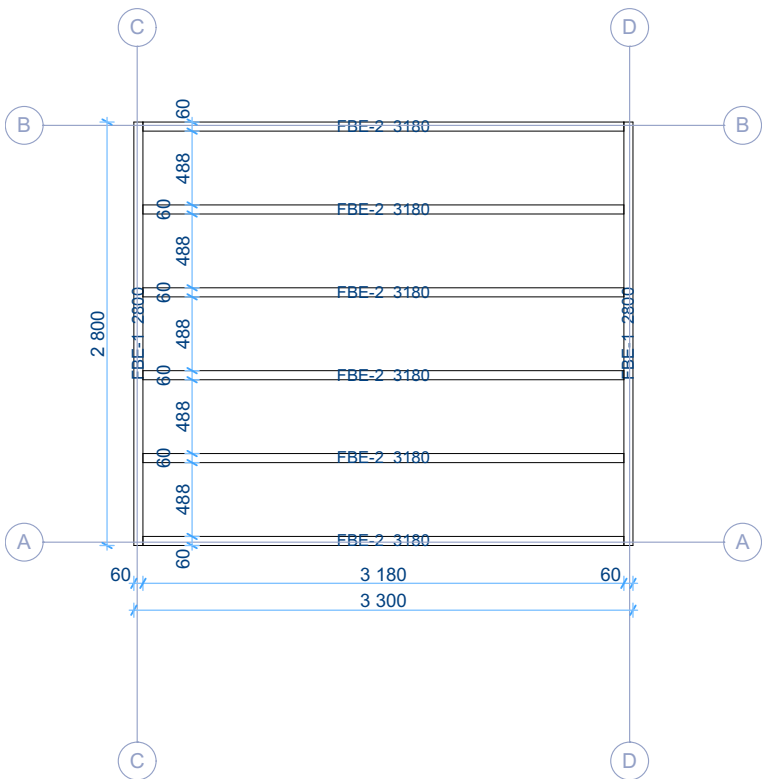
44 Milton Keynes 3,5x3

Walls and purlins positions

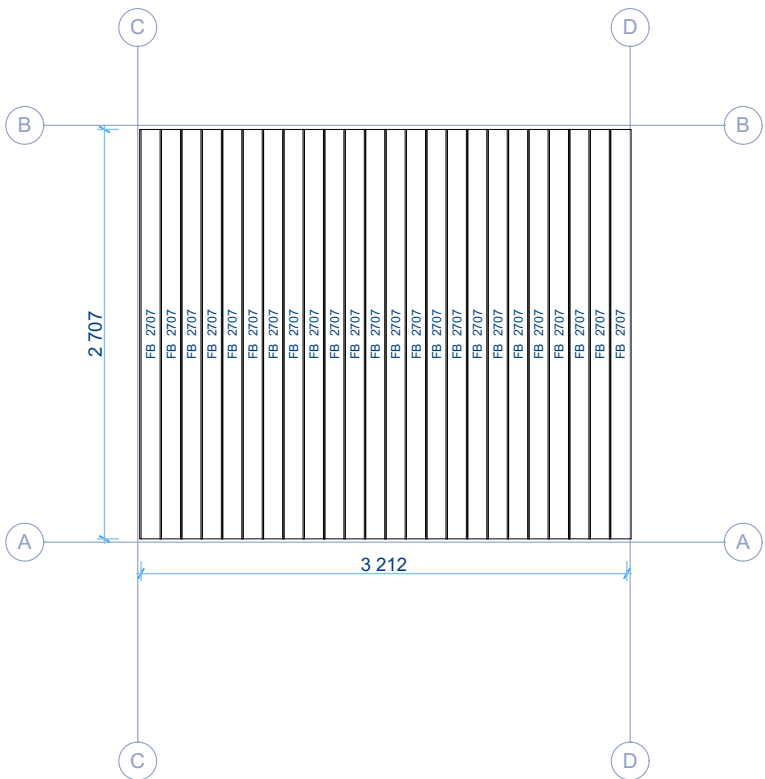


Thickness:	Project name:	Project ID:	Year:	Page:
44	Milton Keynes 3,5x3		2023	2

Floor bearers plan 1:50



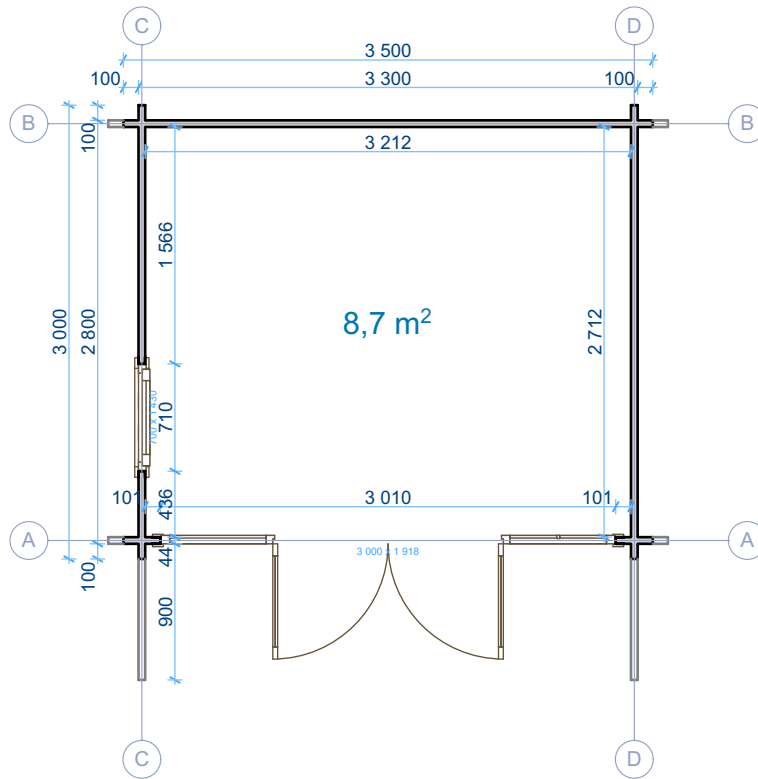
Floor boards plan 1:50



Thickness:	Project name:	Project ID:	Year:	Page:
44	Milton Keynes 3,5x3		2023	3

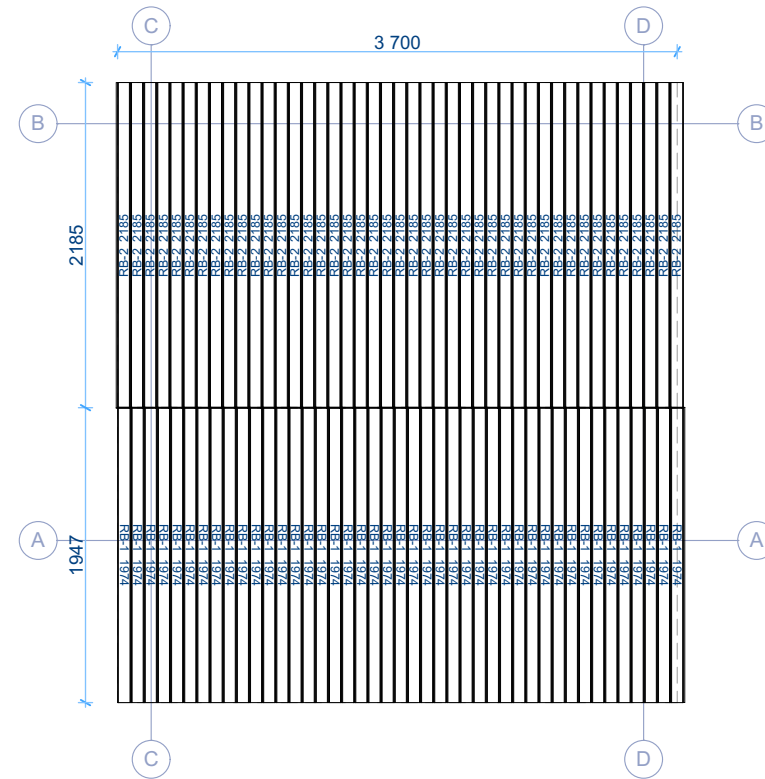
Ground floor plan

1:50



Roof boards

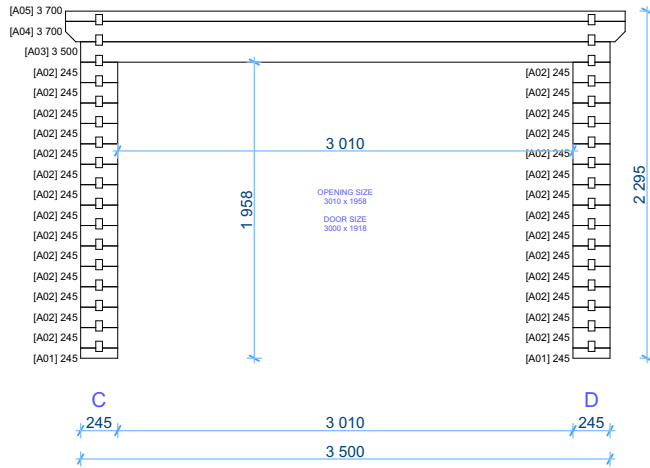
1:50



Thickness:	Project name:	Project ID:	Year:	Page:
44	Milton Keynes 3,5x3		2023	4

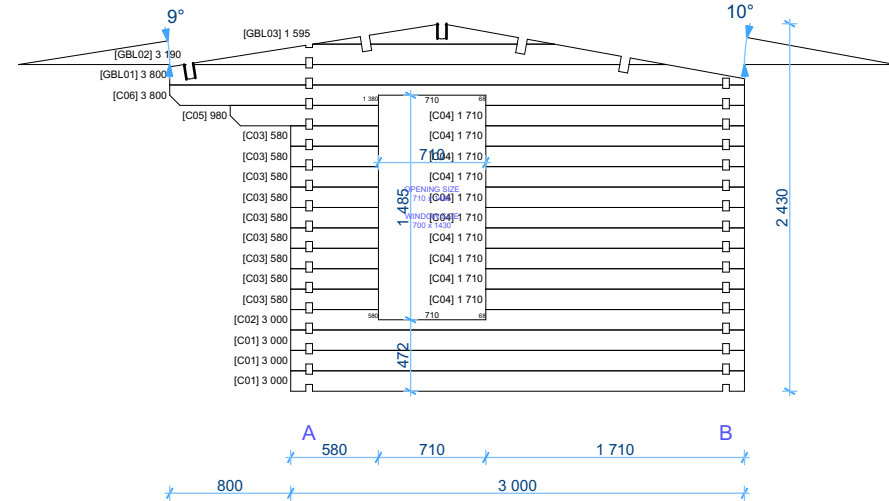
Wall A

1:50



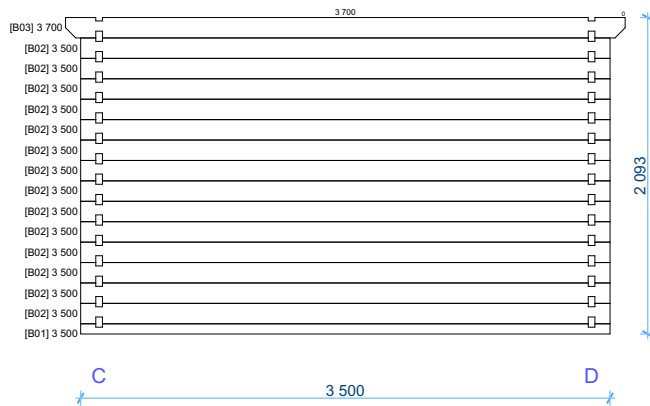
Wall C

1:50



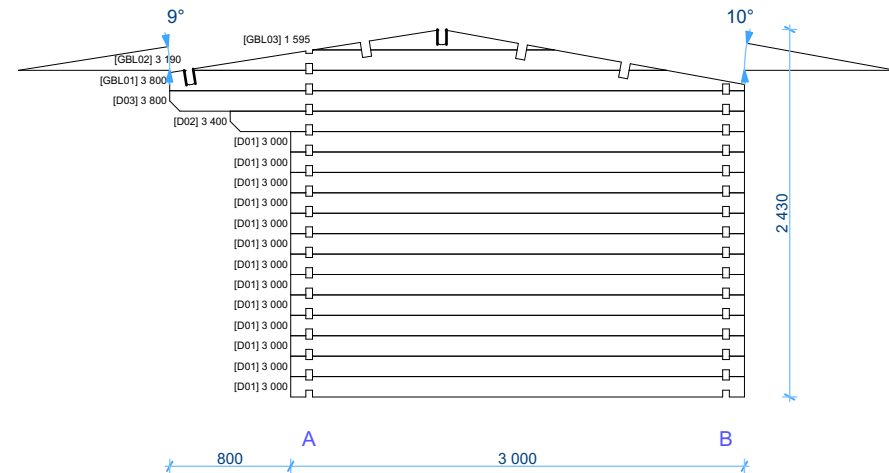
Wall B

1:50

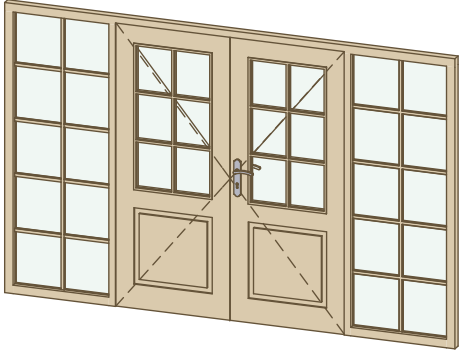



Wall D

1:50



Thickness:	Project name:	Project ID:	Year:	Page:
44	Milton Keynes 3,5x3		2023	5

Windows and doors list							
Type-quality	Barcode	Wall Thickness	W x H Size	Orientation	Glazing	Quantity	3D Axonometry
Door - Premium	PG198300-3	44	3 000×1 918	R	100%, double glazed, safety (toughened) glass	1	
Window - Premium plus	P+G14370	44	700×1 430	R	Double glazed, safety (toughened) glass	1	

Thickness:	Project name:	Project ID:	Year:	Page:
44	Milton Keynes 3,5x3		2023	6