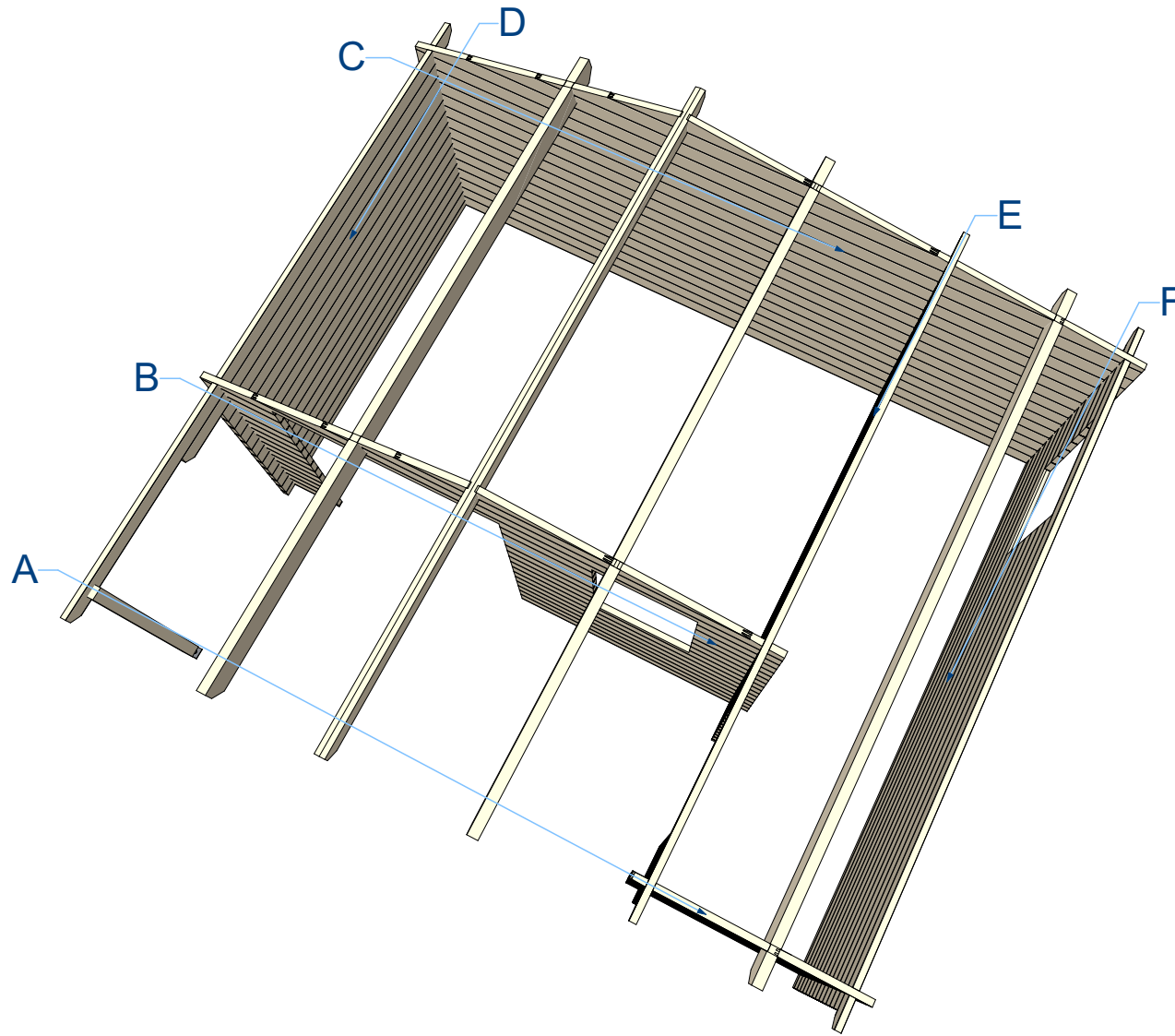




44 Maidstone 5,3x4,5

Walls and purlins positions



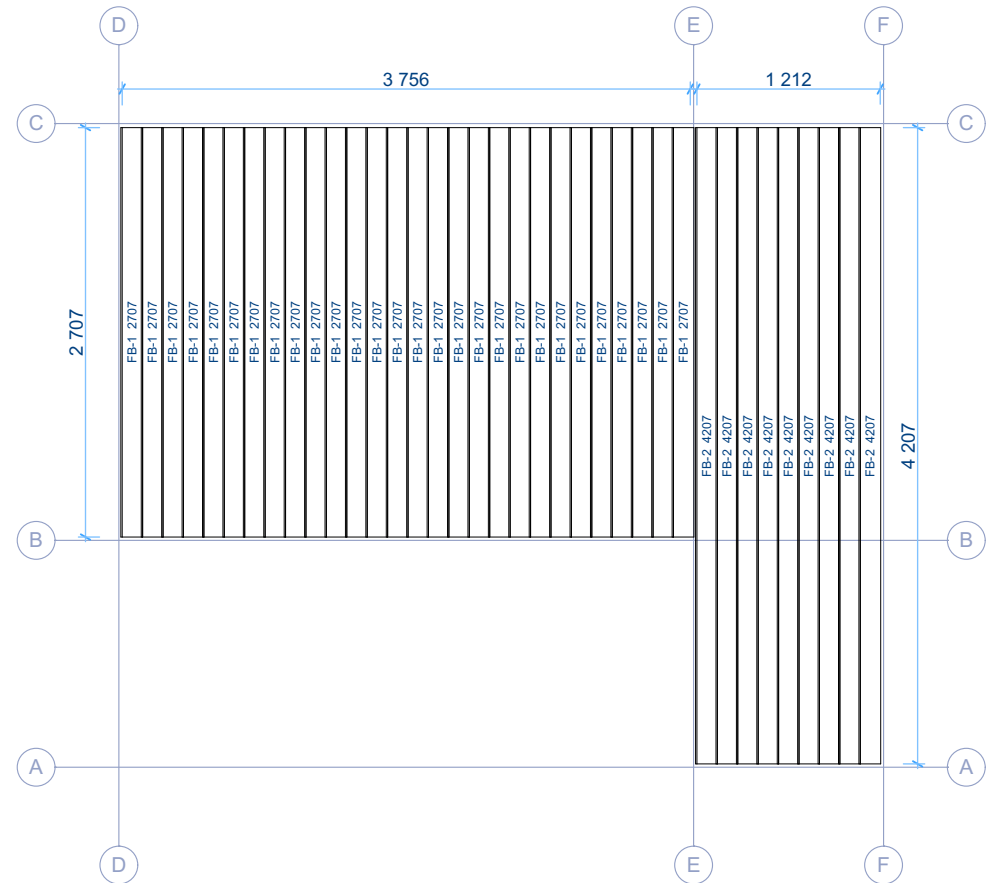
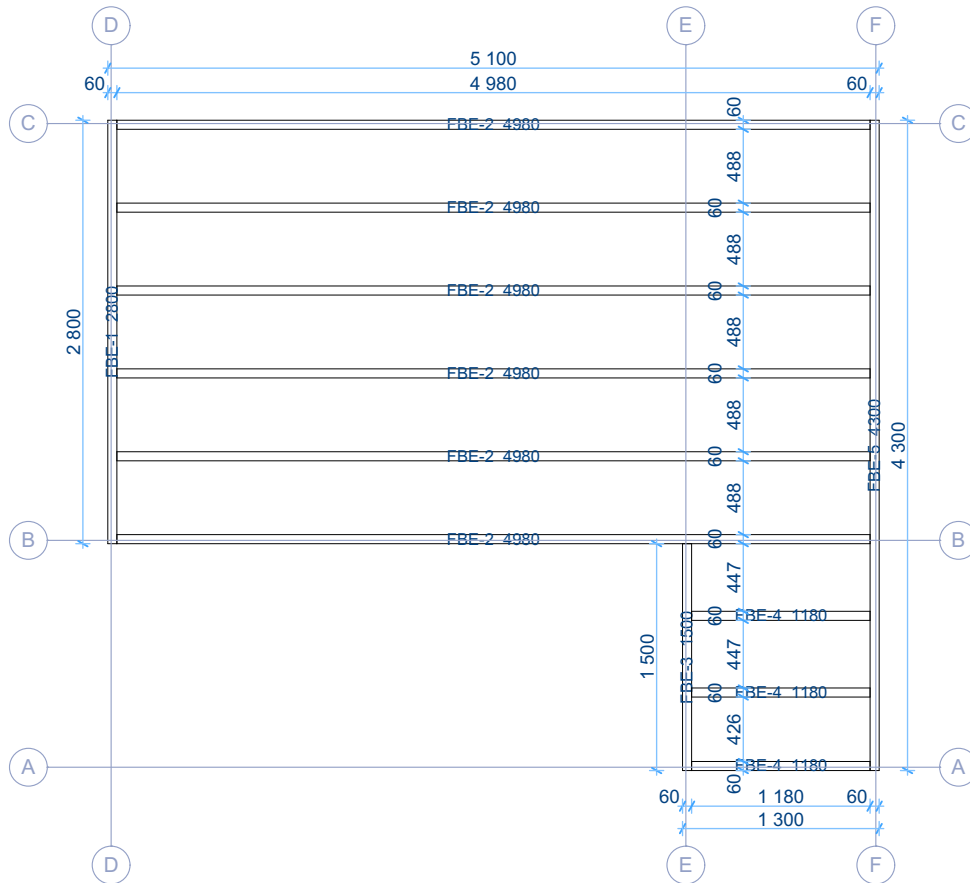
Thickness:	Project name:	Project ID:	Year:	Page:
44	Maidstone 5,3x4,5		2023	2

Floor bearers plan

1:50

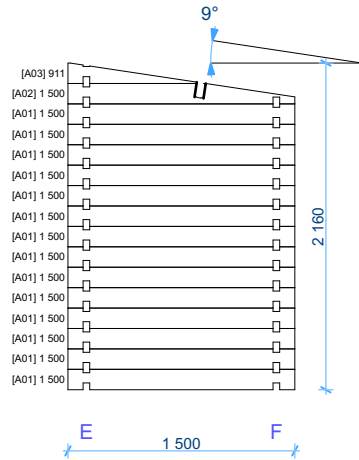
Floor boards plan

1:50

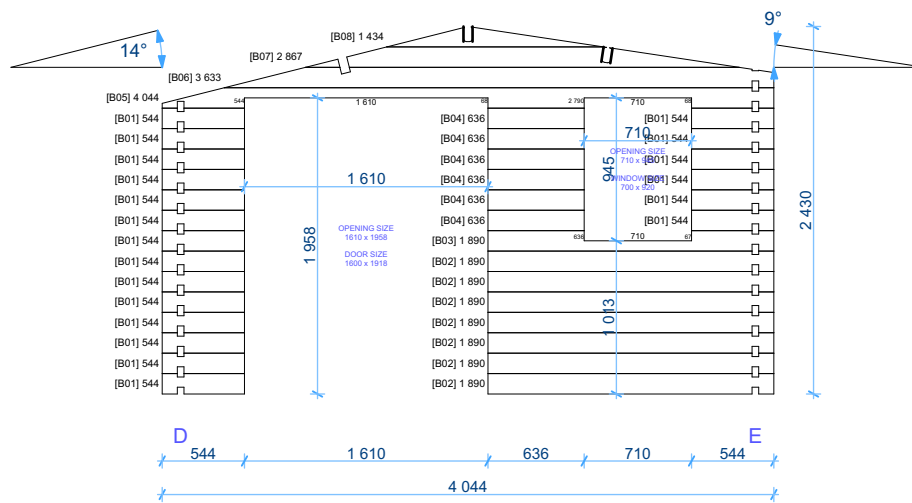


Thickness:	Project name:	Project ID:	Year:	Page:
44	Maidstone 5,3x4,5		2023	3

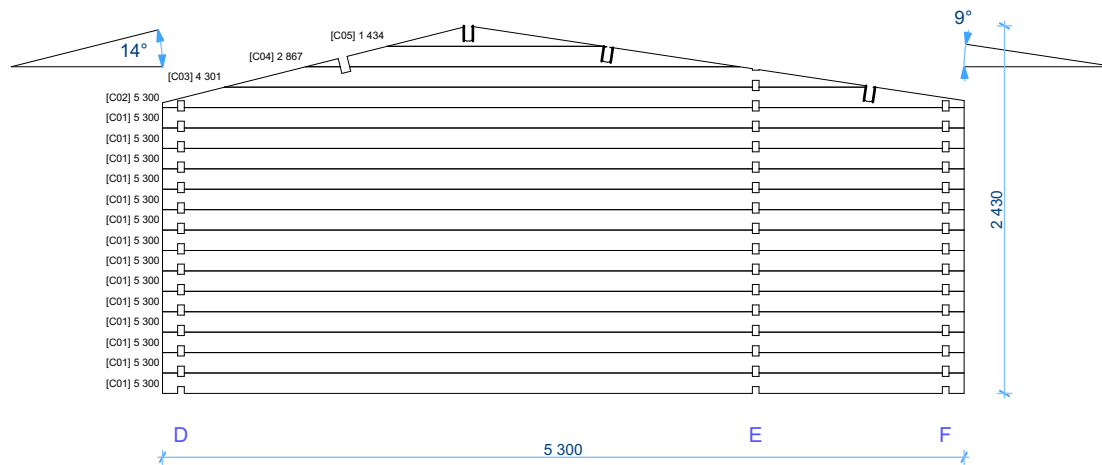
Wall A 1:50



Wall B 1:50



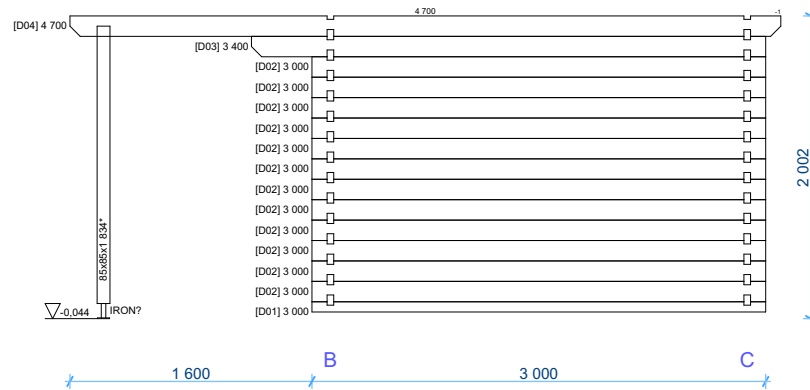
Wall C 1:50



Thickness:	Project name:	Project ID:	Year:	Page:
44	Maidstone 5,3x4,5		2023	5

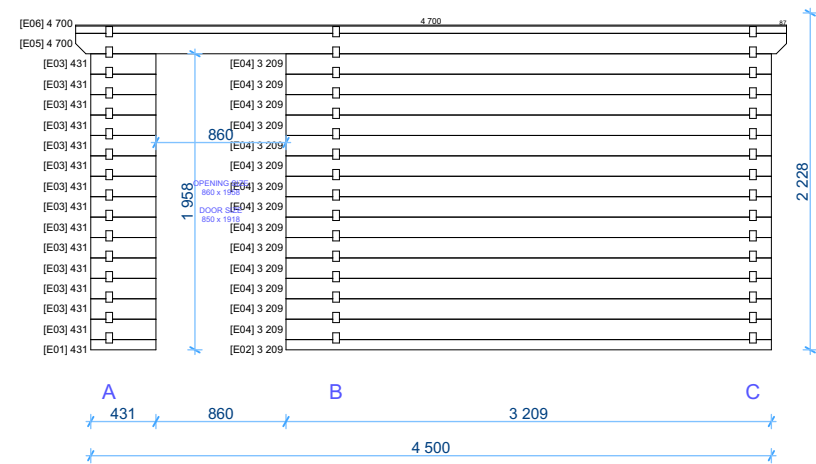
Wall D

1:50



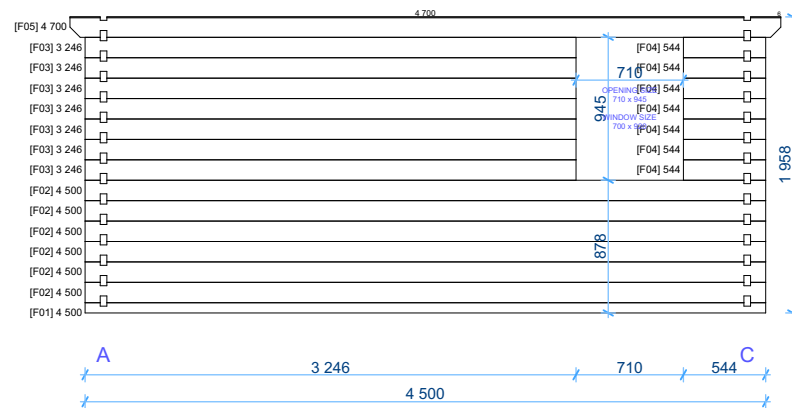
Wall E

1:50

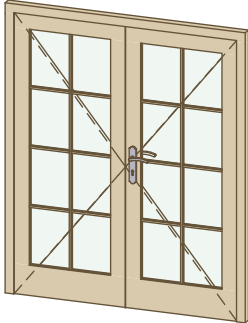
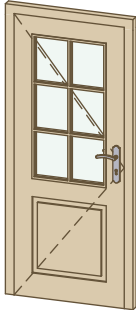



Wall F

1:50



Thickness:	Project name:	Project ID:	Year:	Page:
44	Maidstone 5,3x4,5		2023	6

Windows and doors list							
Type-quality	Barcode	Wall Thickness	W x H Size	Orientation	Glazing	Quantity	3D Axonometry
Door - Premium	PG19885-2	44	1 600×1 918	R	100% glass, double glazed, safety (toughened) glass	1	
Door - Premium	PG19885-2	44	850×1 918	L	50% glass, double glazed, safety (toughened) glass	1	
Window - Premium plus	P+G9270	44	700×920	L	Double glazed, safety (toughened) glass	2	

Thickness:	Project name:	Project ID:	Year:	Page:
44	Maidstone 5,3x4,5		2023	7