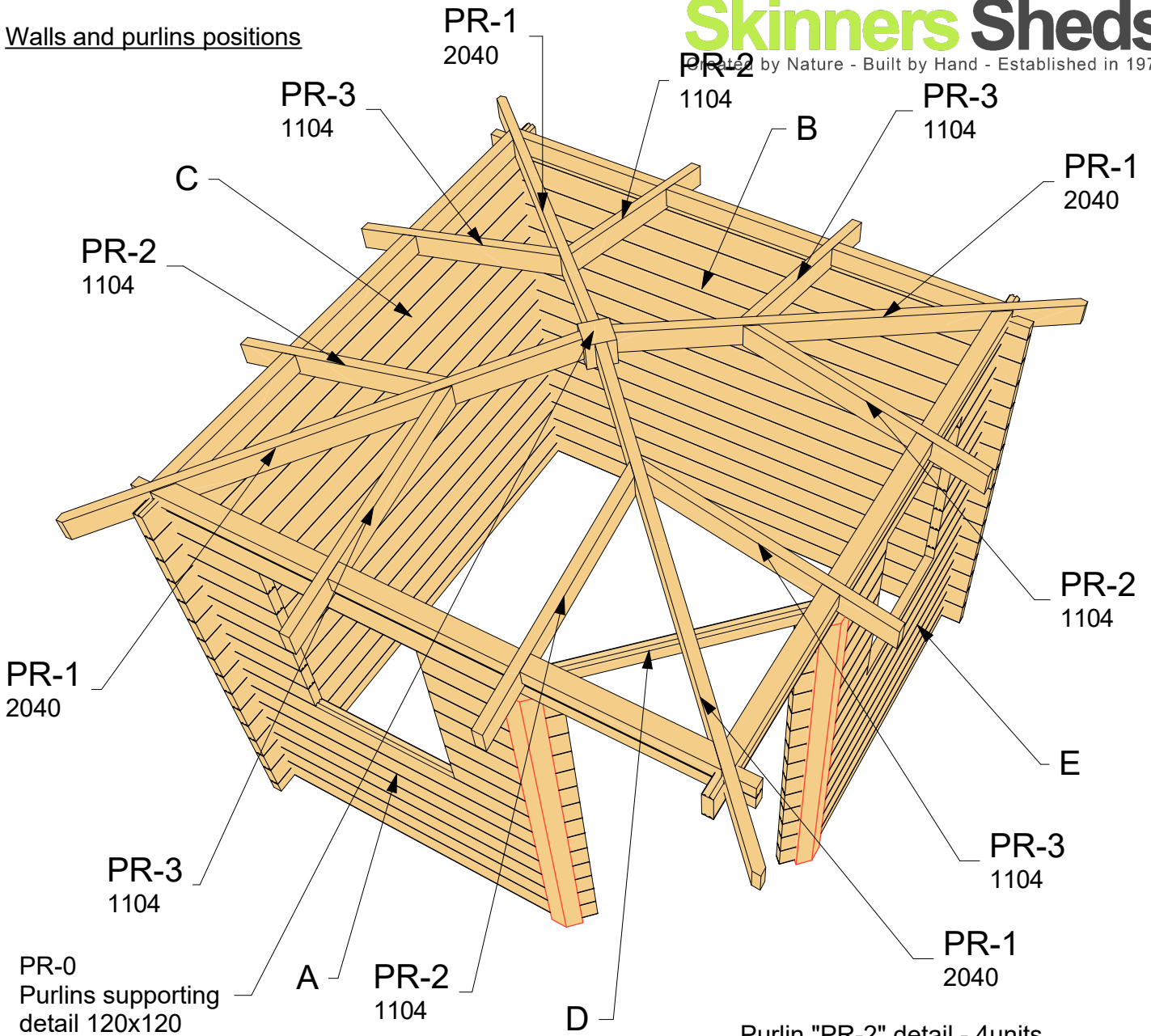




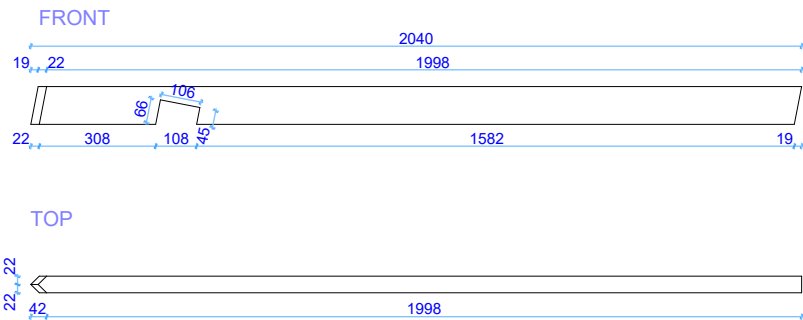
44mm London 2,6x2,6

Architect name:	Thickness:	Type:	Project name:	Project No:	Year:	Page:
Gytis Buda	44mm	Standard	LONDON 2,6x2,6	-	2018	1 of 5

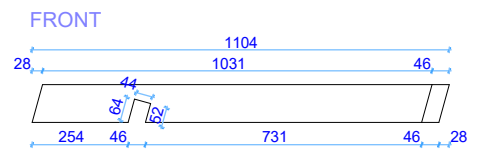
Walls and purlins positions



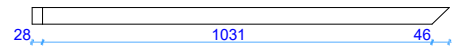
Purlin "PR-1" detail - 4units



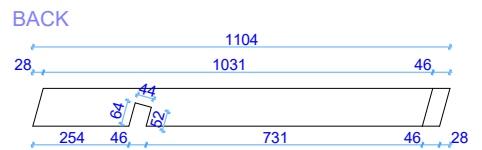
Purlin "PR-2" detail - 4units



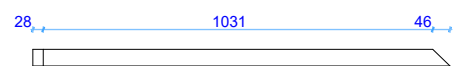
TOP



Purlin "PR-3" detail - 4units

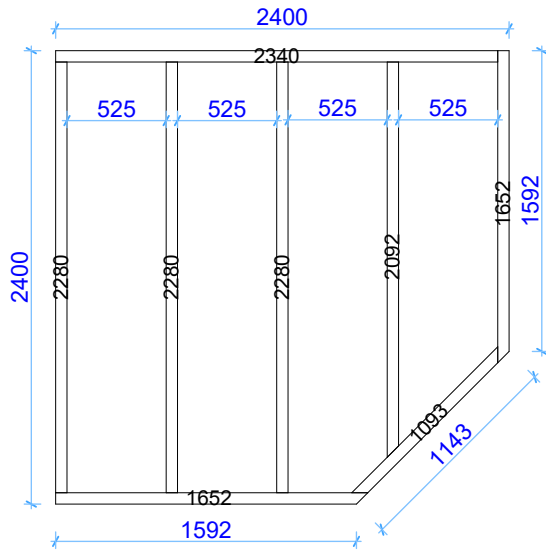


TOP

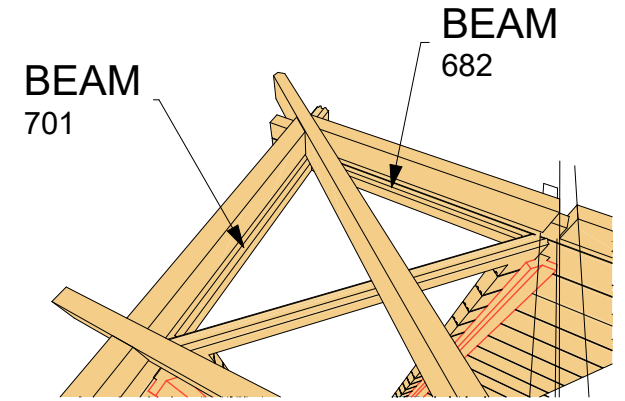
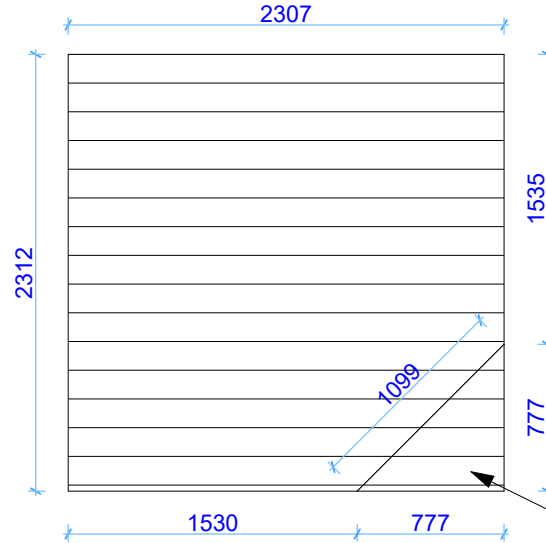


Architect name:	Thickness:	Type:	Project name:	Project No:	Year:	Page:
Gytis Buda	44mm	Standard	LONDON 2,6x2,6	-	2018	2 of 5

Floor bearers 1:40

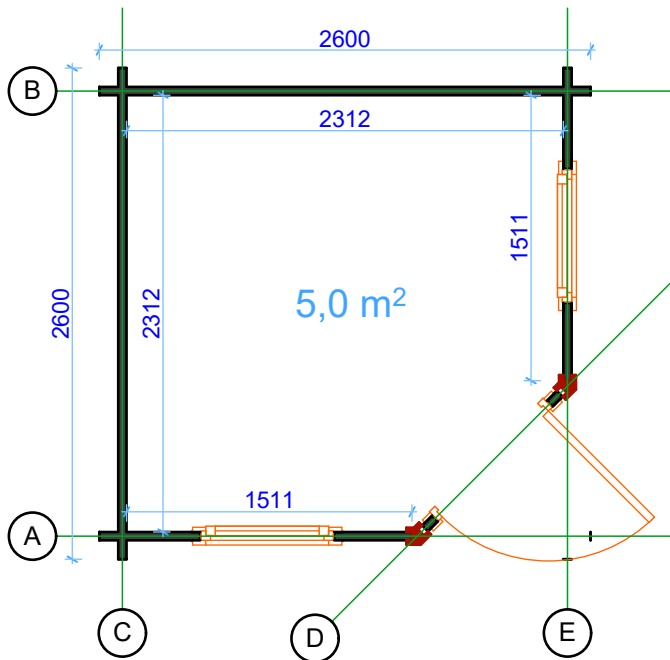


Floor boards

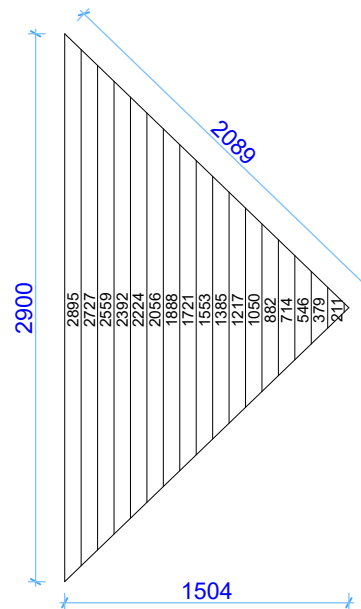


These boards should be used to fix hole over the door. Install beams 682 and 701 on A and E walls.

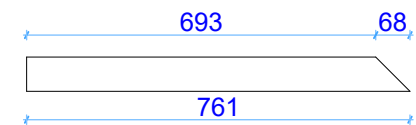
Floor plan 1:40



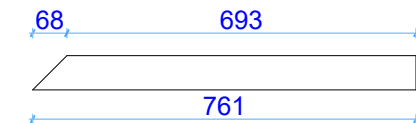
Roof boards (if board width is 87mm)



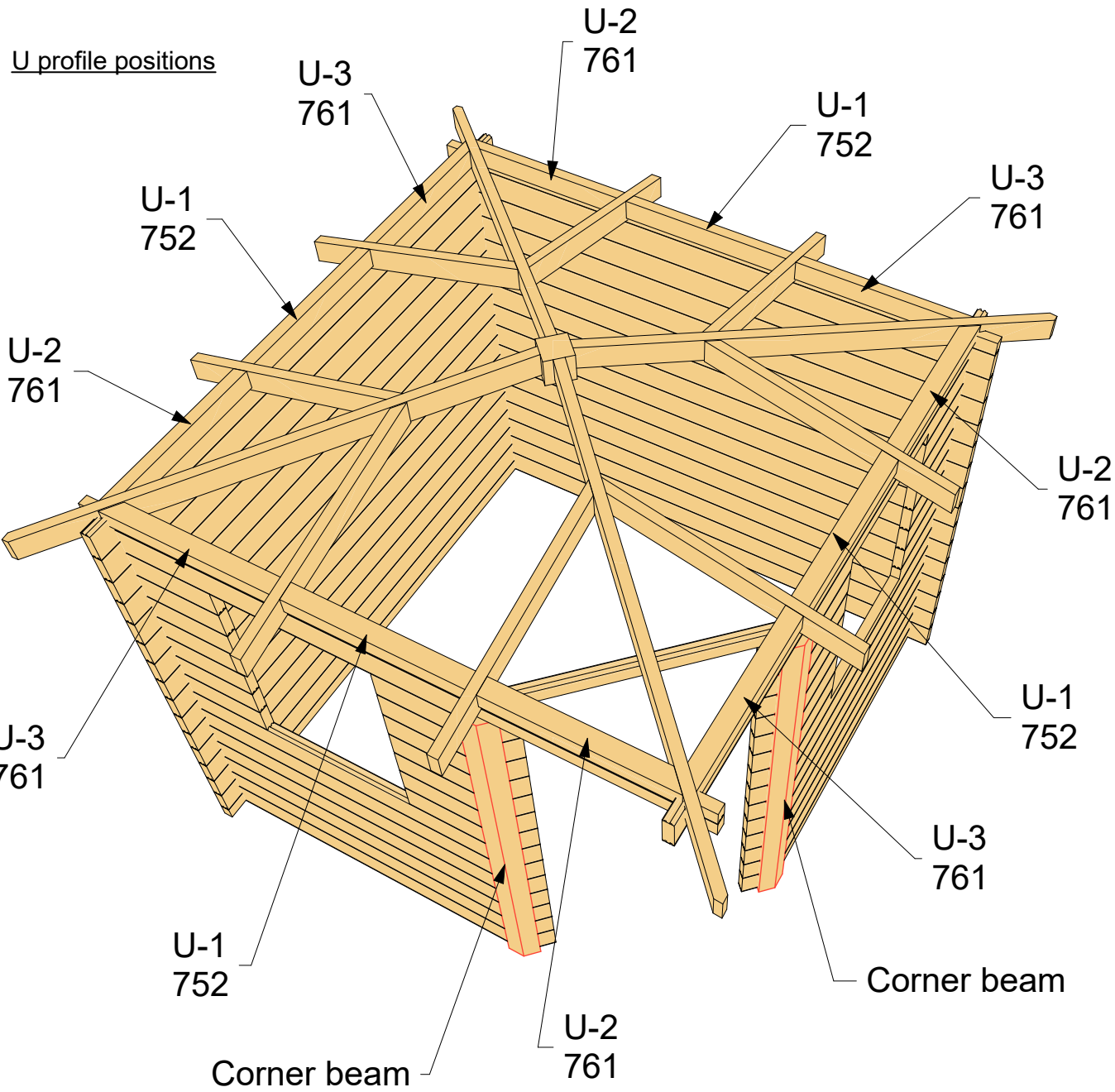
U-beam "U-2" detail - 4units



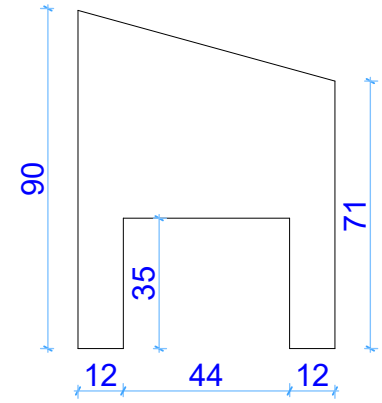
U-beam "U-3" detail - 4units



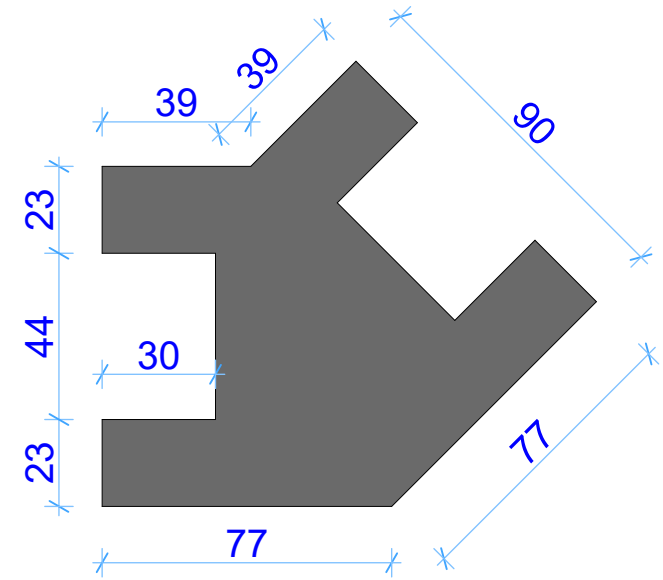
Architect name:	Thickness:	Type:	Project name:	Project No:	Year:	Page:
Gytis Buda	44mm	Standard	LONDON 2,6x2,6	-	2018	3 of 5



U profile detail

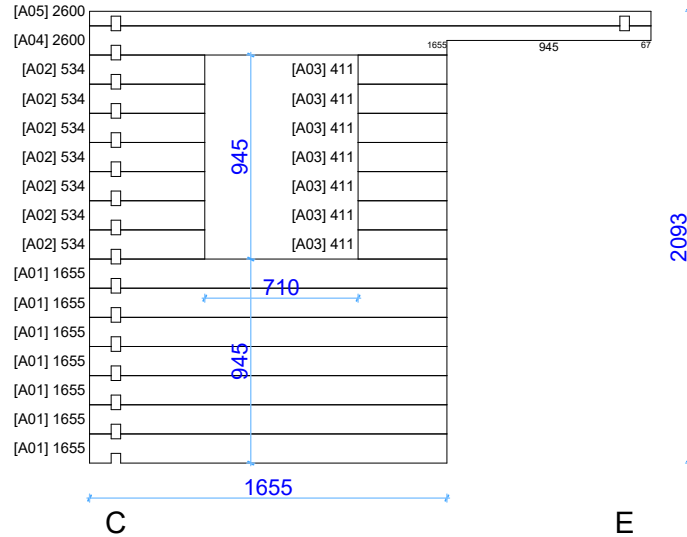


Corner beam detail

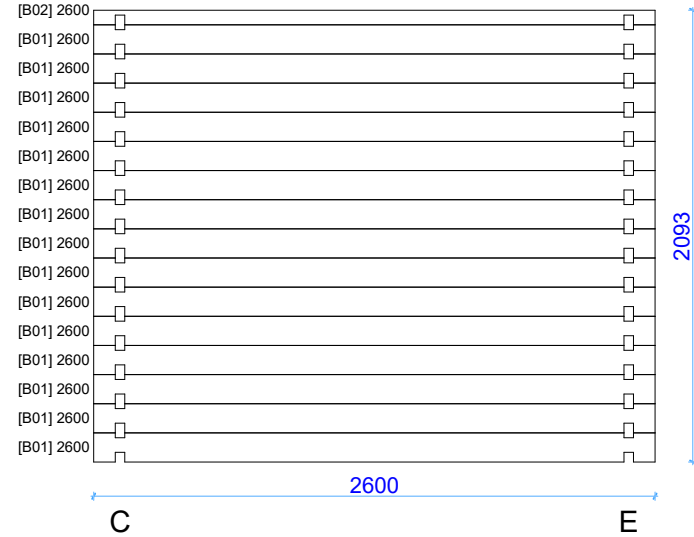


Architect name:	Thickness:	Type:	Project name:	Project No:	Year:	Page:
Gytis Buda	44mm	Standard	LONDON 2,6x2,6	-	2018	4 of 5

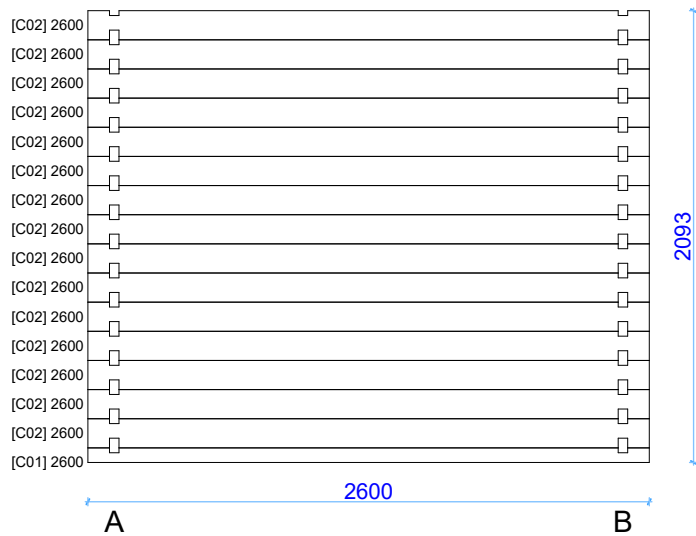
Wall A



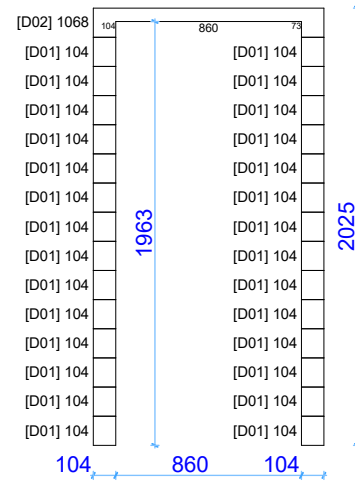
Wall B



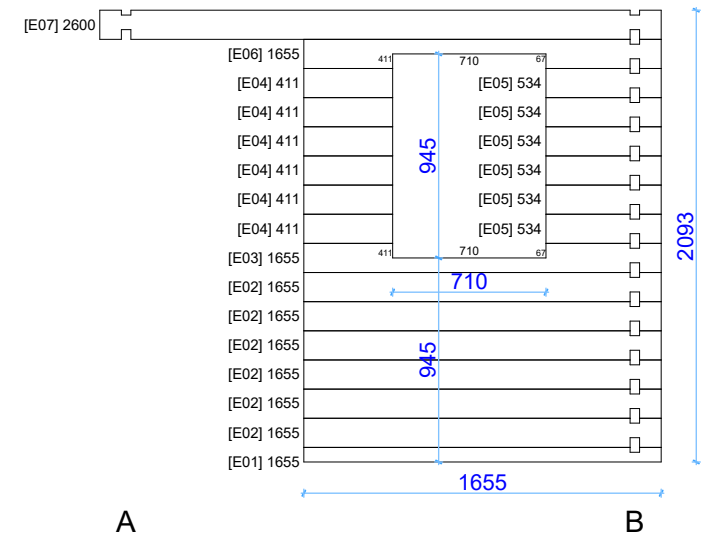
Wall C



Wall D



Wall E



Architect name:	Thickness:	Type:	Project name:	Project No:	Year:	Page:
Gytis Buda	44mm	Standard	LONDON 2,6x2,6	-	2018	5 of 5