

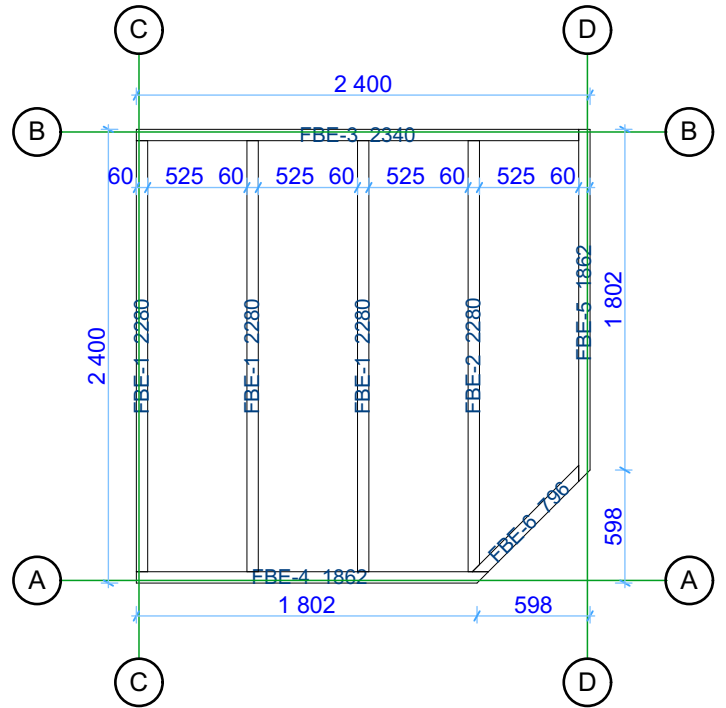
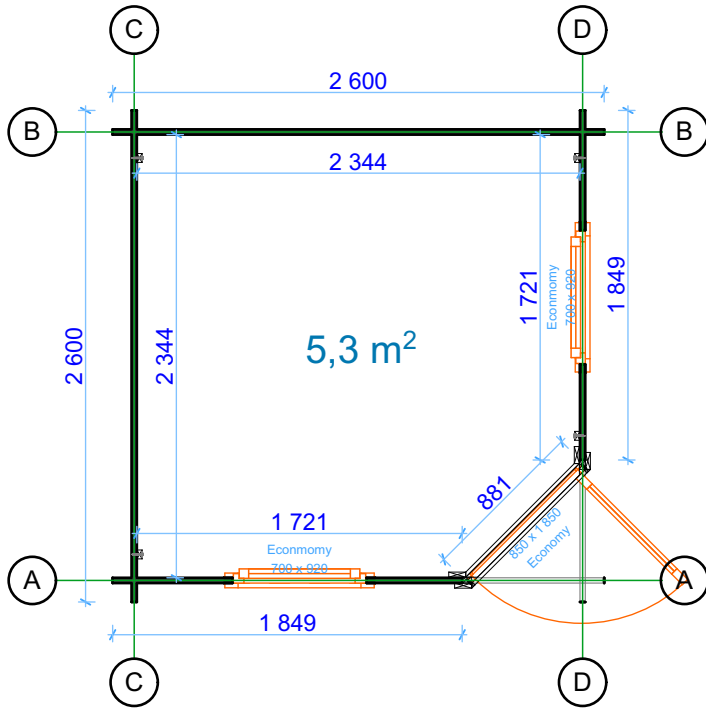


28 London 2,6x2,6

Ground floor plan

1:40 Floor bearers

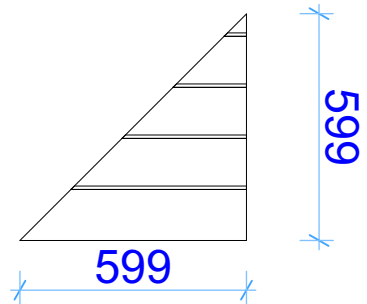
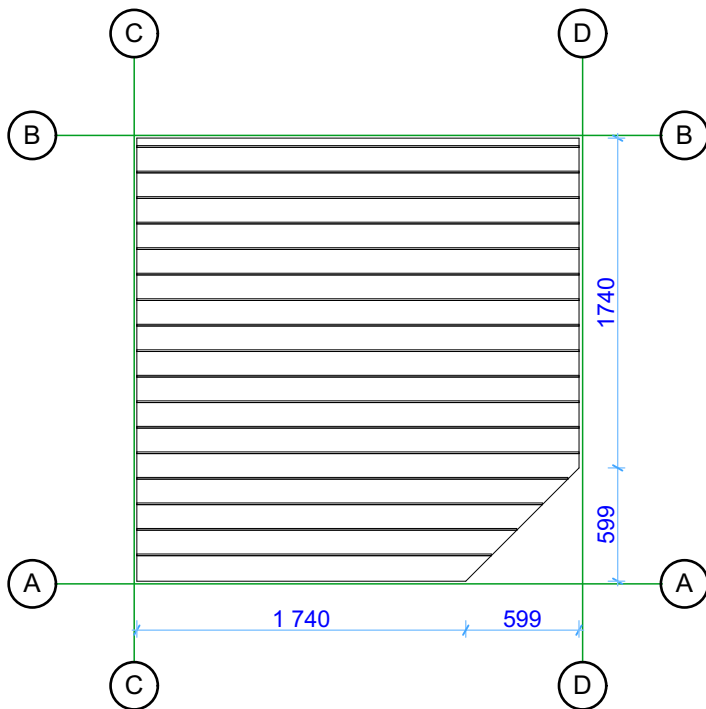
1:40



Decorative boards 1:20

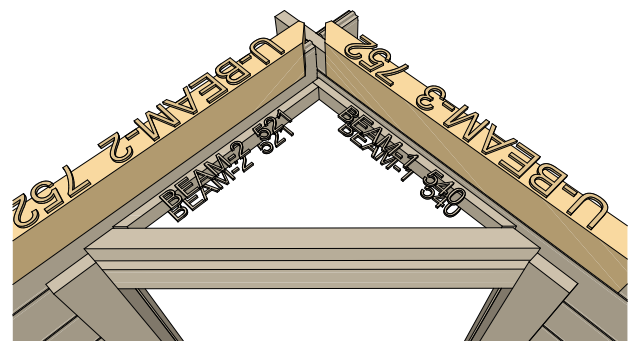
Floor boards

1:40



Beams positions

1:450

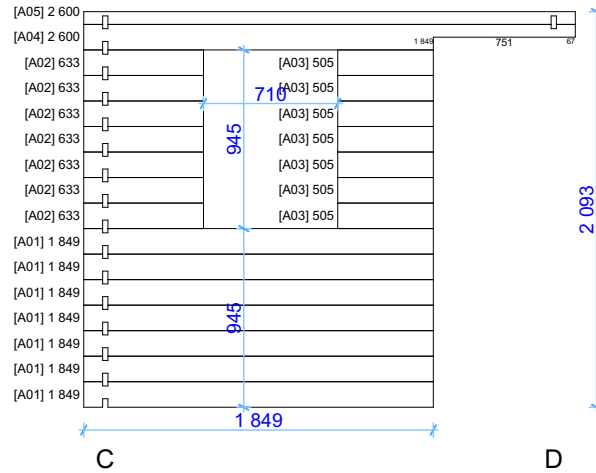


Note: Firstly install door frame. Then screw 40x19 beams on walls. After beams are fixed on walls, install decorative boards on them.

Thickness:	Project name:	Project ID:	Year:	Page:
28	London 2,6x2,6		2021	2

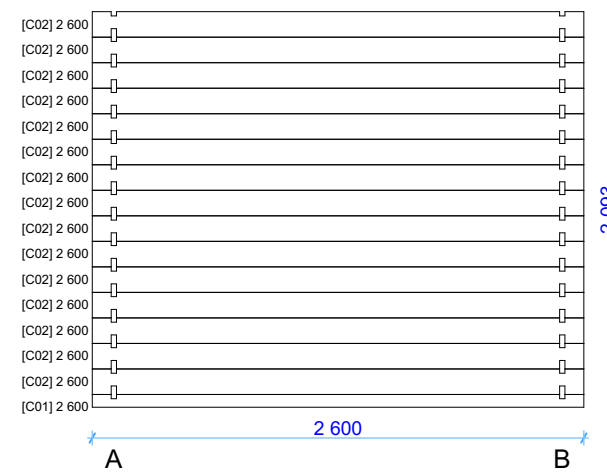
Wall A

1:40



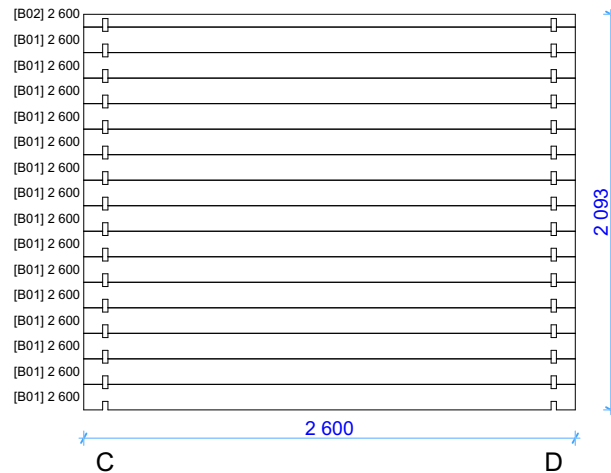
Wall C

1:40



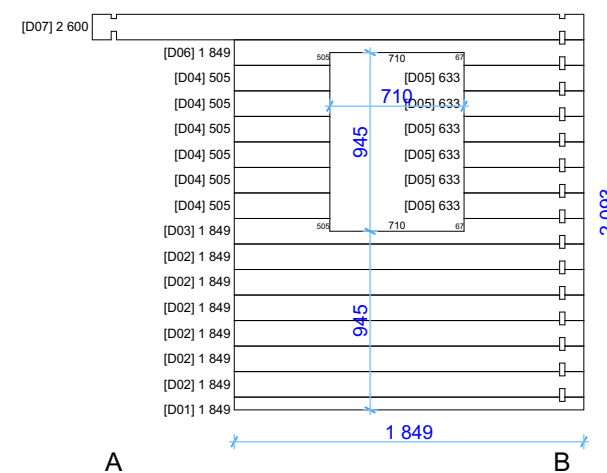
Wall B

1:40

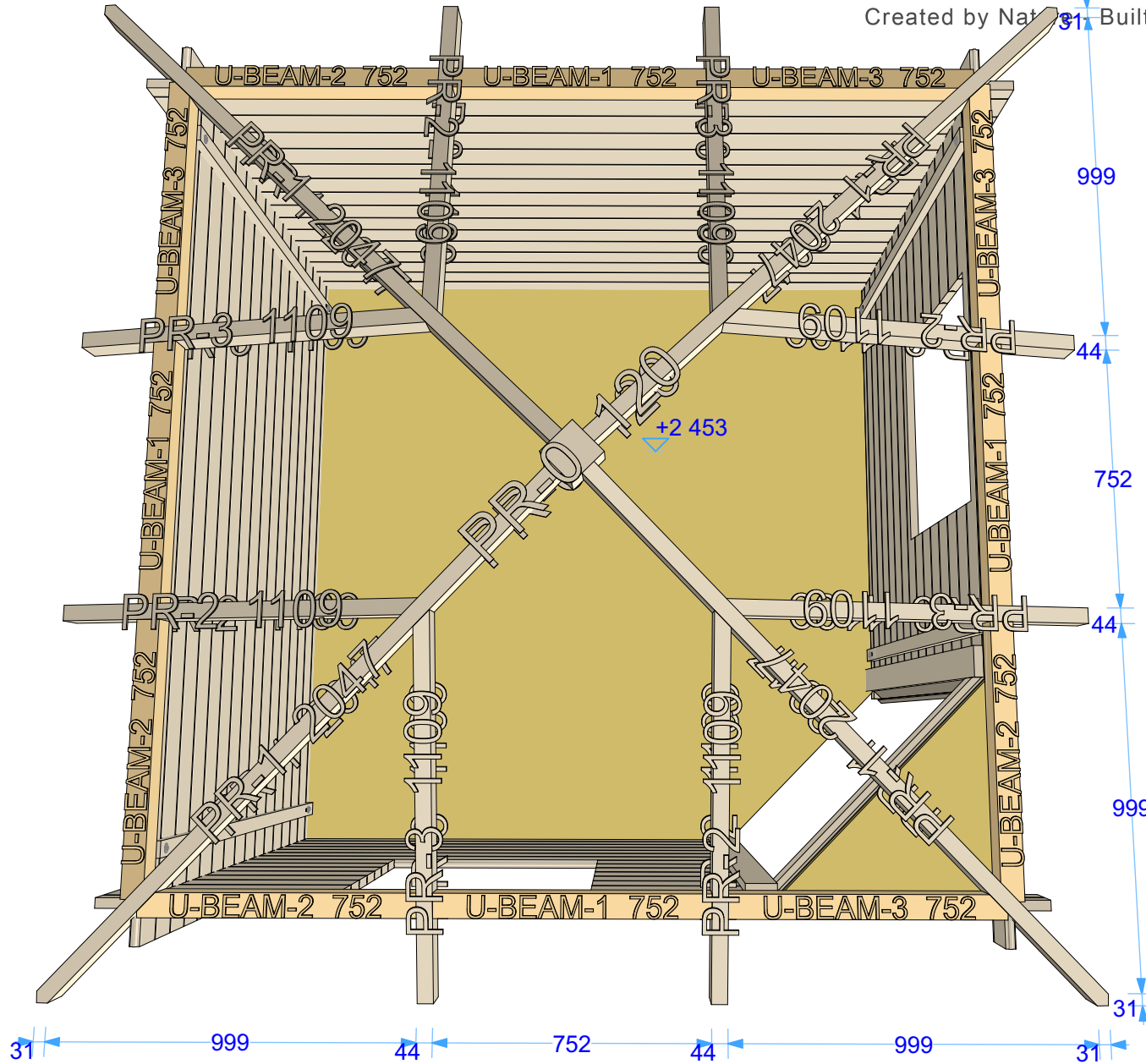


Wall D

1:40

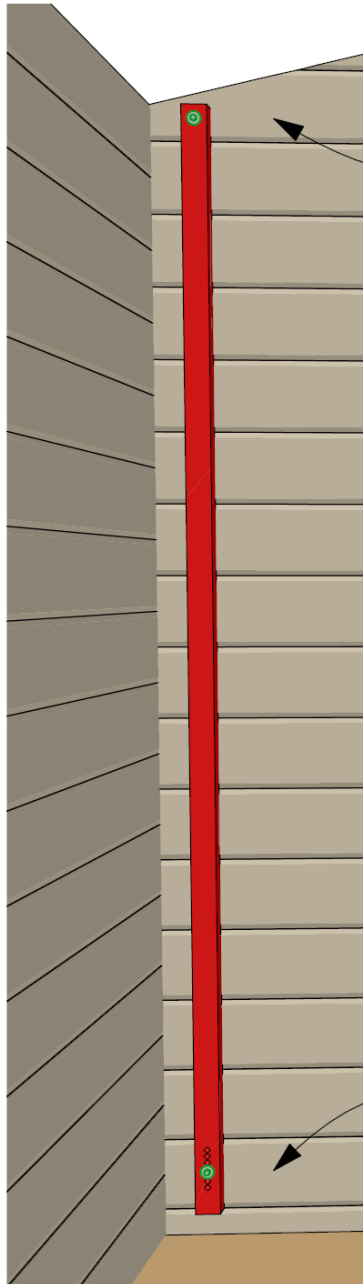


Thickness:	Project name:	Project ID:	Year:	Page:
28	London 2,6x2,6		2021	3



Thickness:	Project name:	Project ID:	Year:	Page:
28	London 2,6x2,6		2021	4

Storm braces

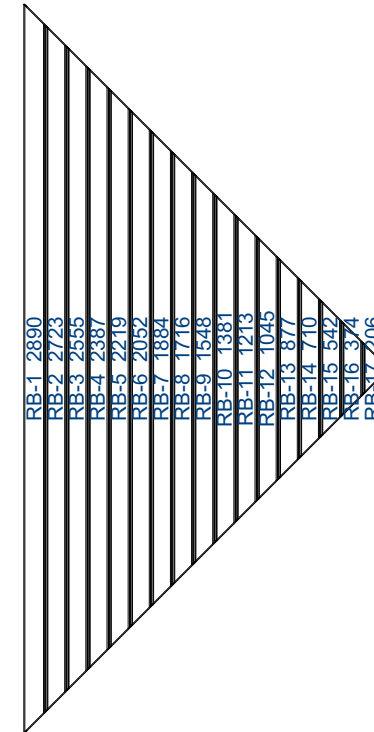


1st log of the apex

2nd log from the ground

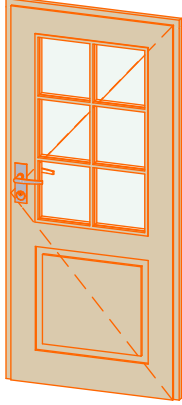
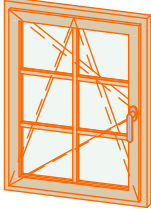
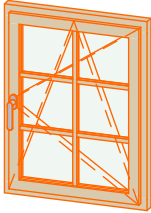
Roof boards

1:30

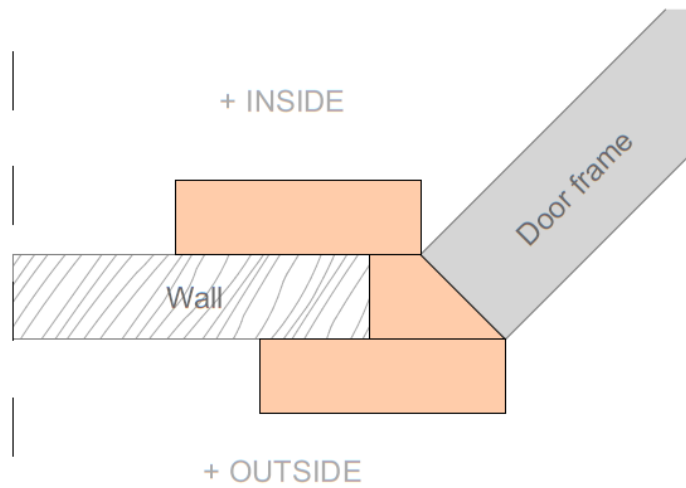


Thickness:	Project name:	Project ID:	Year:	Page:
28	London 2,6x2,6		2021	5

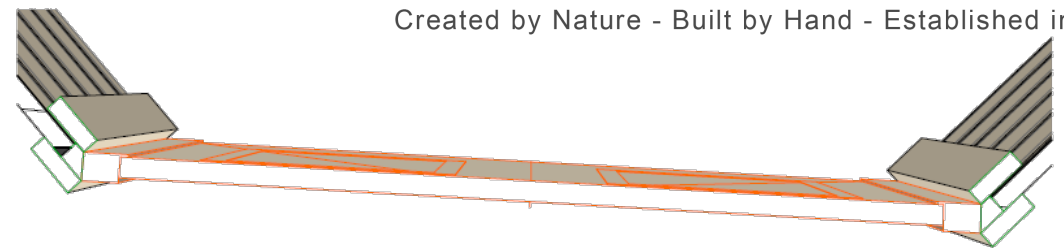
28mm London 2,6x2,6 windows and doors list

Type-quality	W x H Size	Orient ation	Glazing	Quanti ty	3D Axonometry
Angled door -Economy	850×1 850	R	Single glazed, safety (toughened) glass	1	
Window - Economy	700×920	L	Single glazed, safety (toughened) glass	1	
Window - Economy	700×920	R	Single glazed, safety (toughened) glass	1	

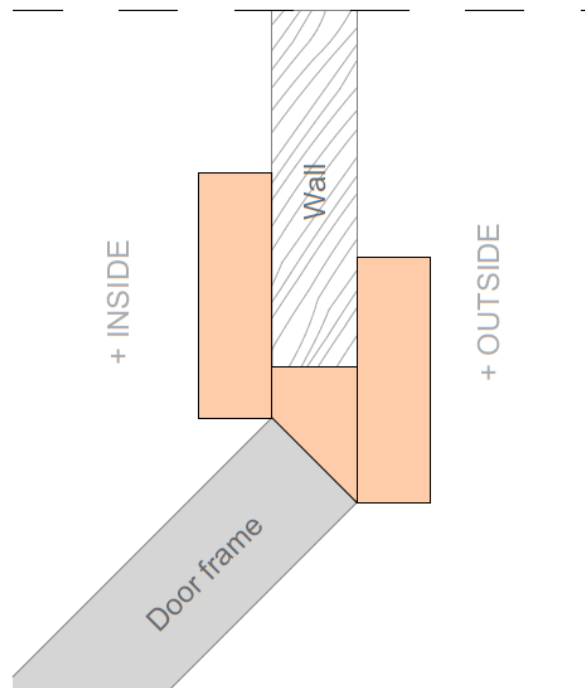
Left side 1:2



Top view

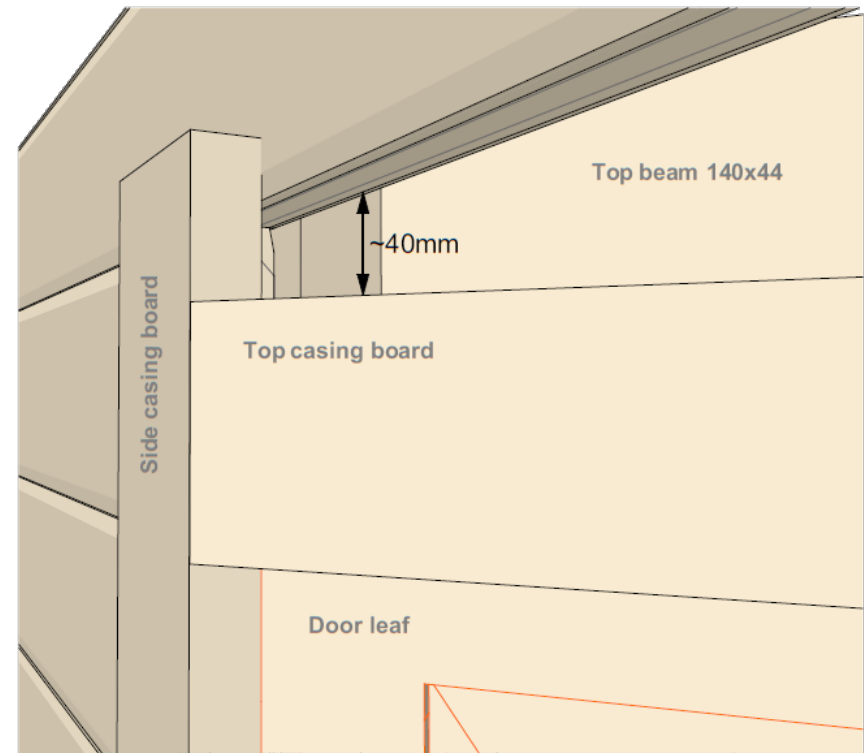


Right side 1:2



Top part (outside)

1:200



Thickness:	Project name:	Project ID:	Year:	Page:
28	London 2,6x2,6		2021	7