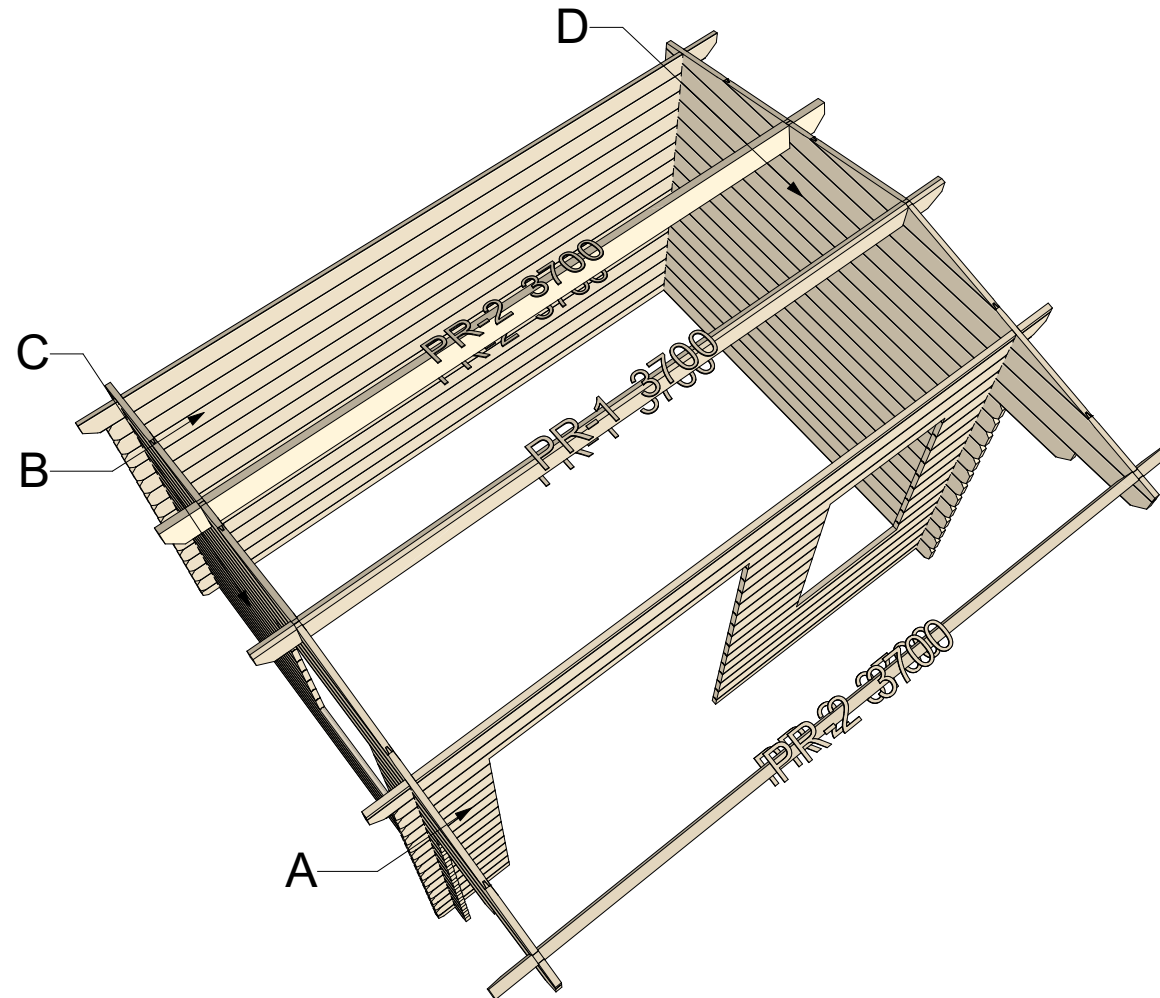




28 Lewes 3,5x2,5

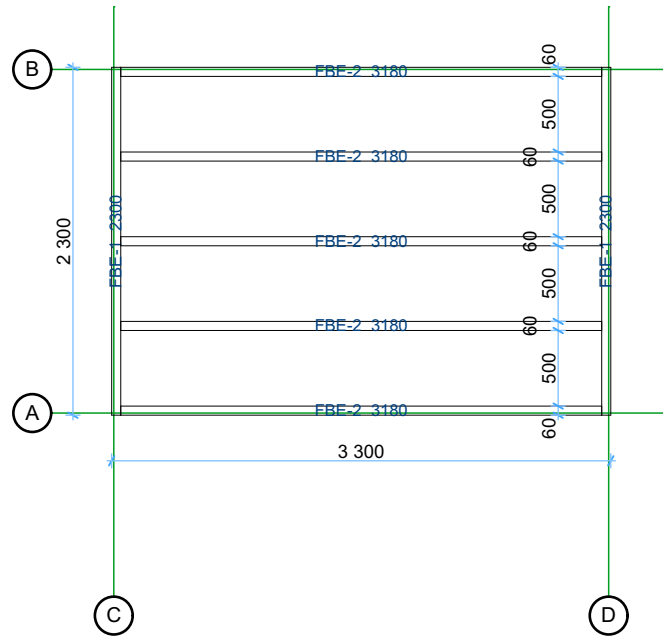
Walls and purlins positions



| Thickness: | Project name: | Project ID: | Year: | Page: |
|------------|---------------|-------------|-------|-------|
| 28 | Lewes 3,5x2,5 | | 2022 | 2 |

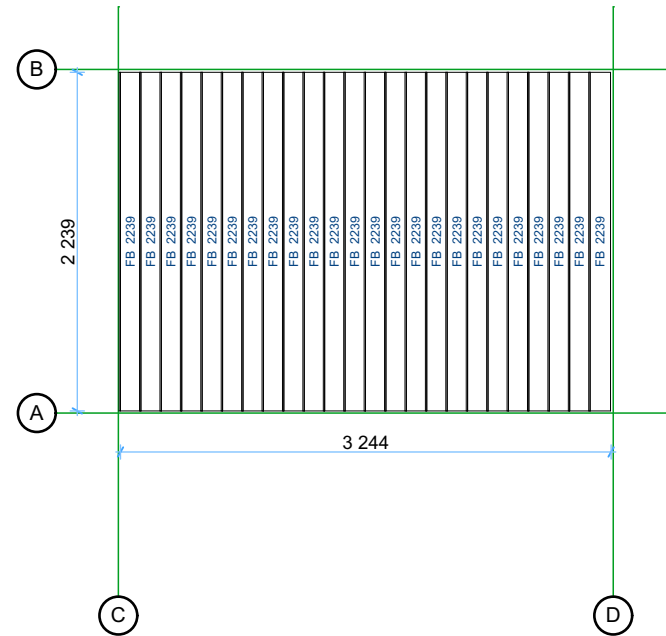
Floor bearers plan

1:50



Floor boards plan

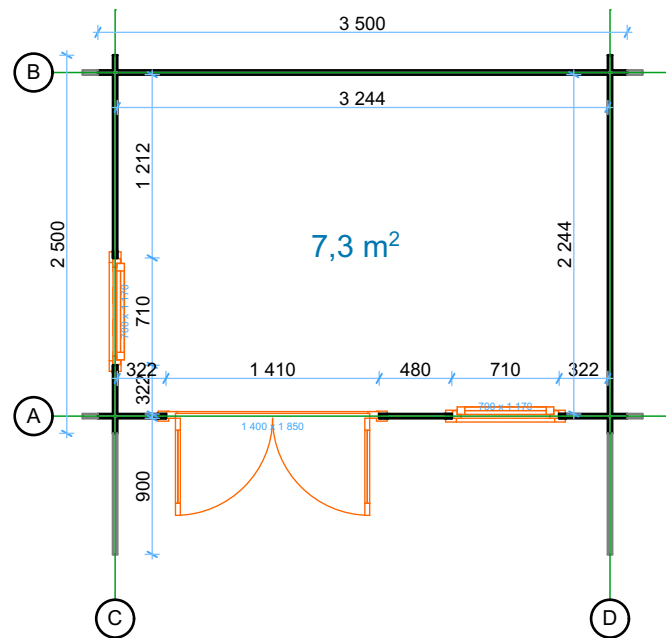
1:50



| | | | | |
|------------|---------------|-------------|-------|-------|
| Thickness: | Project name: | Project ID: | Year: | Page: |
| 28 | Lewes 3,5x2,5 | | 2022 | 3 |

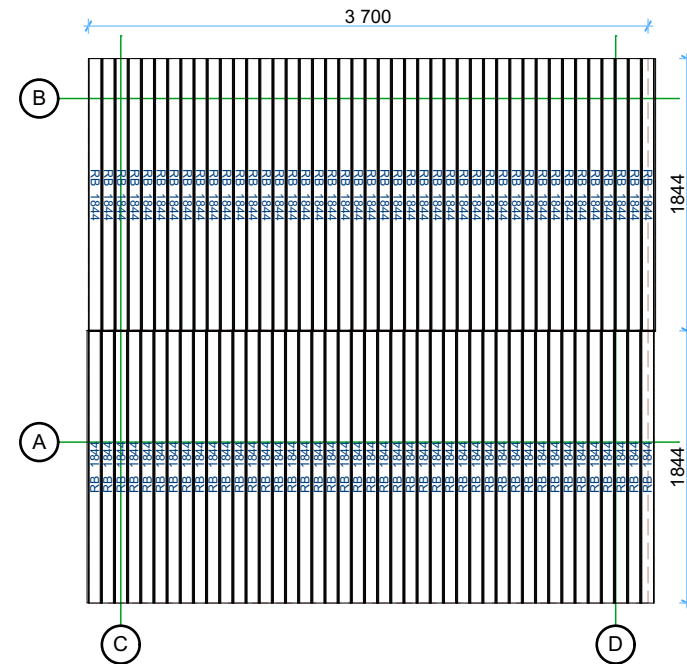
Ground floor plan

1:50



Roof boards plan

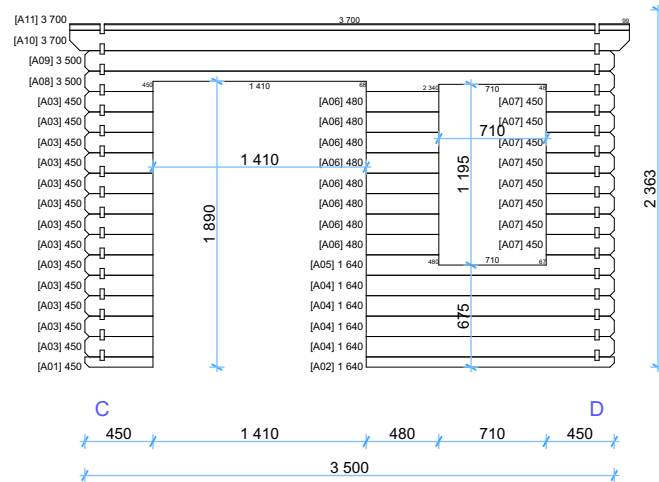
1:50



| | | | | |
|------------|---------------|-------------|-------|-------|
| Thickness: | Project name: | Project ID: | Year: | Page: |
| 28 | Lewes 3,5x2,5 | | 2022 | 4 |

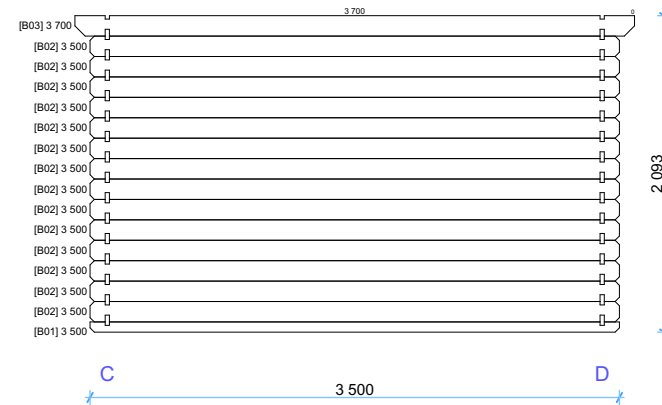
Wall A

1:50



Wall B

1:50

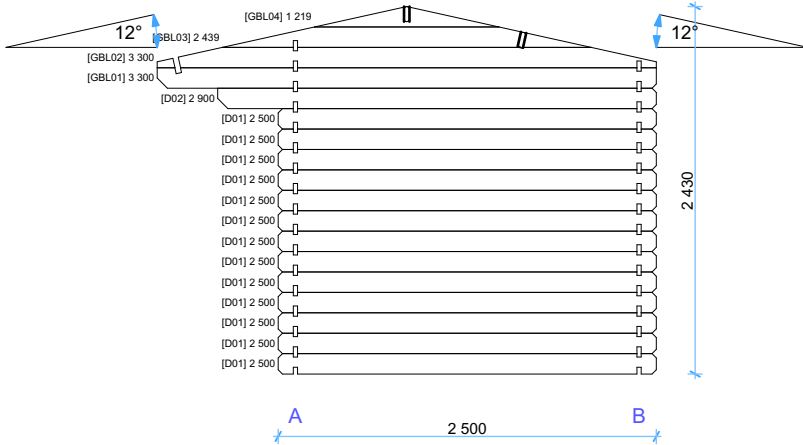
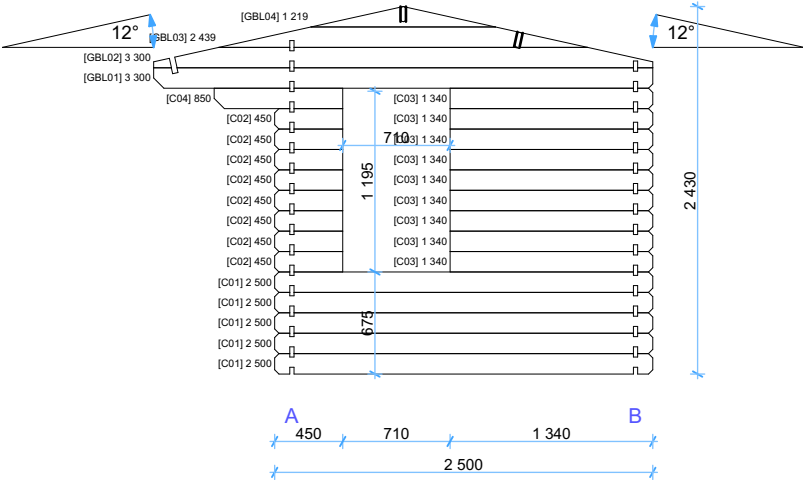


| Thickness: | Project name: | Project ID: | Year: | Page: |
|------------|---------------|-------------|-------|-------|
| 28 | Lewes 3,5x2,5 | | 2022 | 5 |

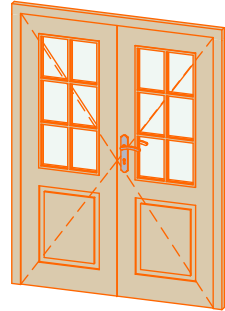
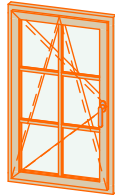
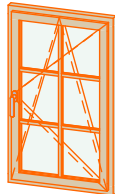
Wall C

1:50 Wall D

1:50



| | | | | |
|------------|---------------|-------------|-------|-------|
| Thickness: | Project name: | Project ID: | Year: | Page: |
| 28 | Lewes 3,5x2,5 | | 2022 | 6 |

| Windows and doors list | | | | | | | |
|------------------------|------------|----------------|-------------|-------------|--------------------------|----------|---|
| Type-quality | Barcode | Wall Thickness | W x H Size | Orientation | Glazing | Quantity | 3D Axonometry |
| Door - Economy | DG185140-2 | 28 | 1 400x1 850 | R | 50% glass, double glazed | 1 |  |
| Window - Economy | DG11770 | 28 | 700x1 170 | L | Double glazed | 1 |  |
| Window - Economy | DG11770 | 28 | 700x1 170 | R | Double glazed | 1 |  |

| | | | | |
|------------|---------------|-------------|-------|-------|
| Thickness: | Project name: | Project ID: | Year: | Page: |
| 28 | Lewes 3,5x2,5 | | 2022 | 7 |