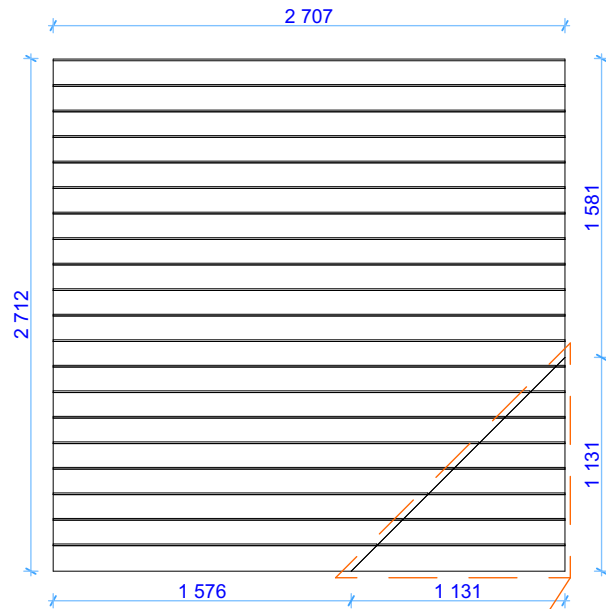




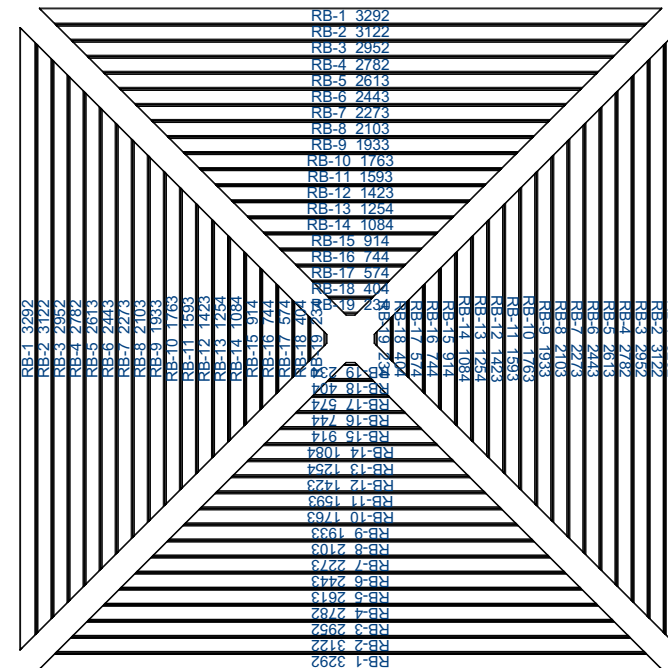
44 Hastings 3x3

Thickness:	Project name:	Project ID:	Year:	Page:
44	Hastings 3x3		2021	1

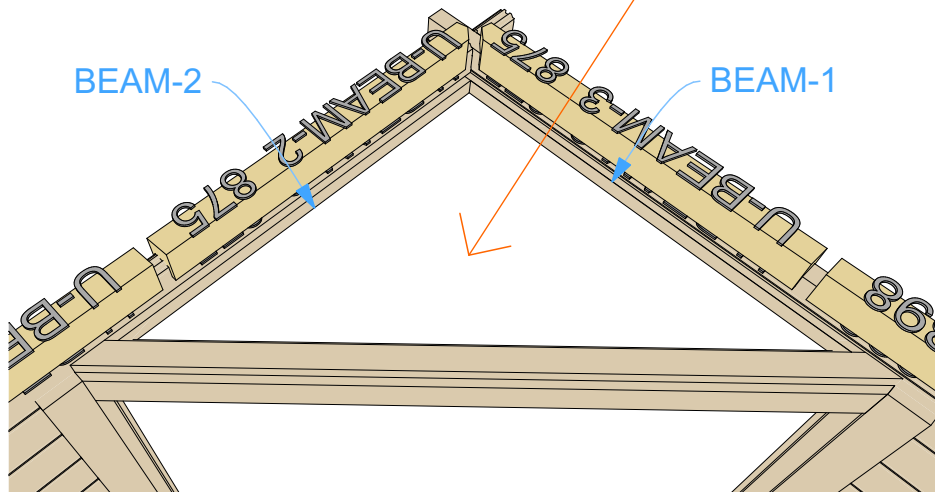
Floor boards 1:40



Roof boards 1:40



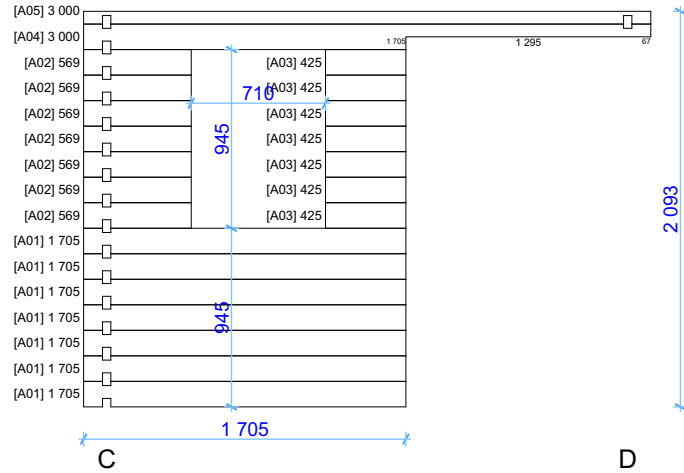
Beams positions 1:300



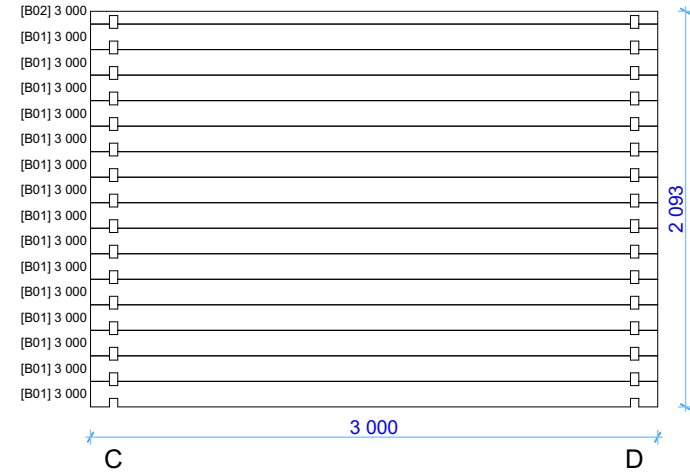
Note: Firstly install door frame. Then screw 40x19 beams on walls. After beams are fixed on walls, install decorative boards on them.

Thickness:	Project name:	Project ID:	Year:	Page:
44	Hastings 3x3		2021	5

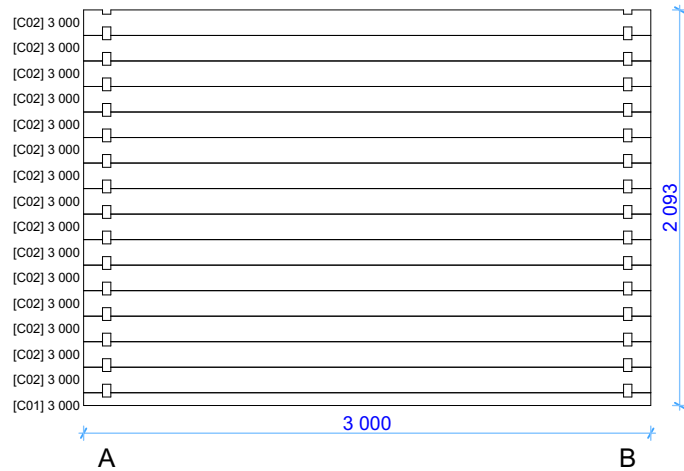
Wall A 1:40



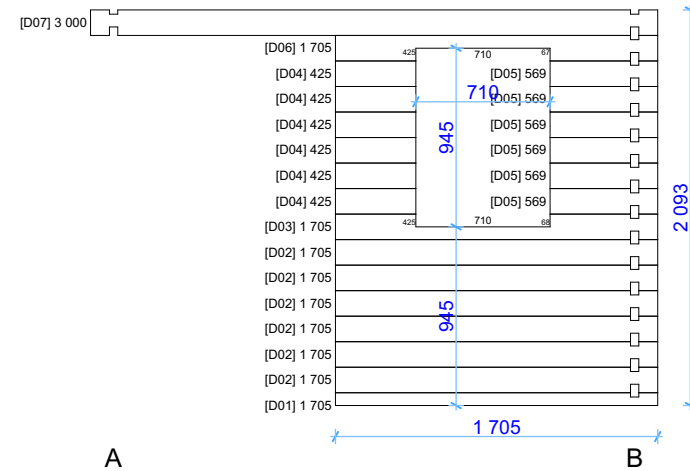
Wall B 1:40



Wall C 1:40

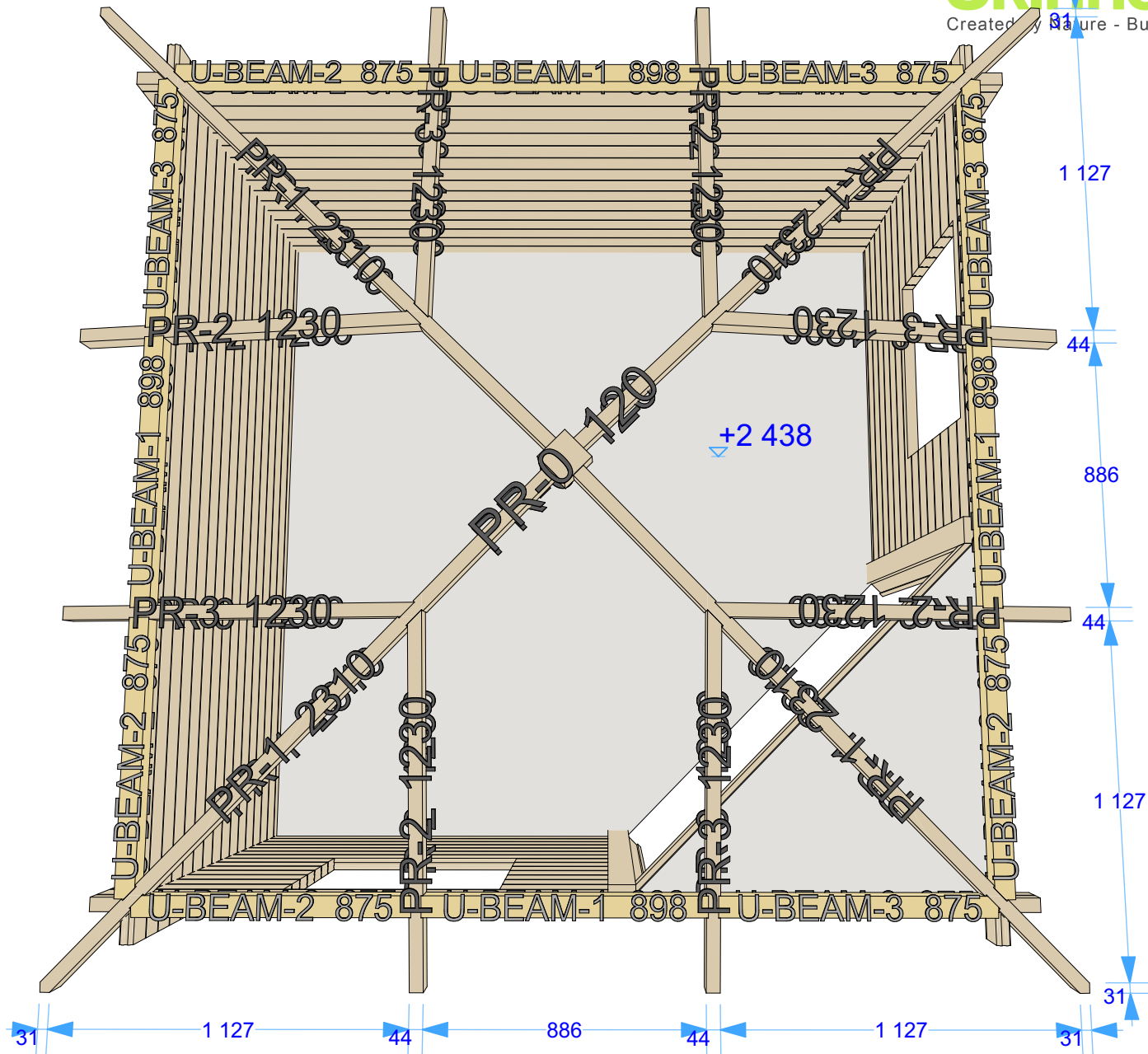


Wall D 1:40



Thickness:	Project name:	Project ID:	Year:	Page:
44	Hastings 3x3		2021	3

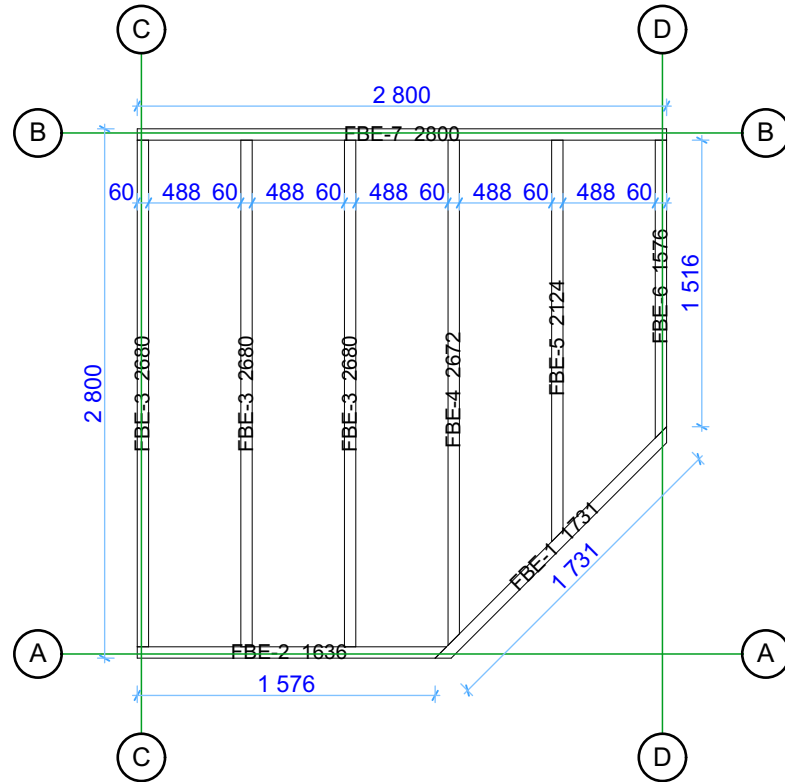
Purlins and u-beams positions



Thickness:	Project name:	Project ID:	Year:	Page:
44	Hastings 3x3		2021	4

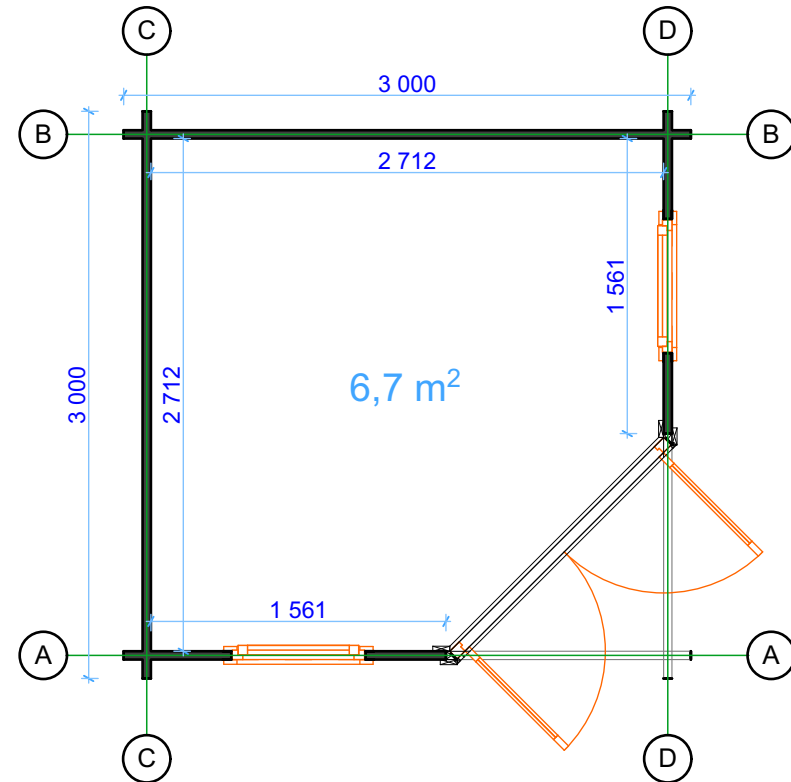
Floor bearers

1:40

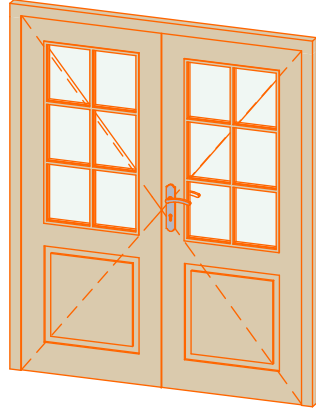
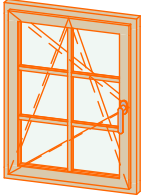
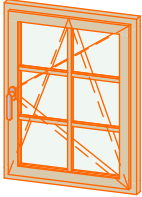


Ground floor plan

1:40



Thickness:	Project name:	Project ID:	Year:	Page:
44	Hastings 3x3		2021	2

44 Hastings 3x3 windows and doors list					
Type-quality	W x H Size	Orientation	Glazing	Quantity	3D Axonometry
Door - Premium	1 600×1 918	R	50%, double glazed, safety (toughened) glass	1	
Window - Premium	700×920	L	Double glazed, safety (toughened) glass	1	
Window - Premium	700×920	R	Double glazed, safety (toughened) glass	1	

Thickness:	Project name:	Project ID:	Year:	Page:
44	Hastings 3x3		2021	6