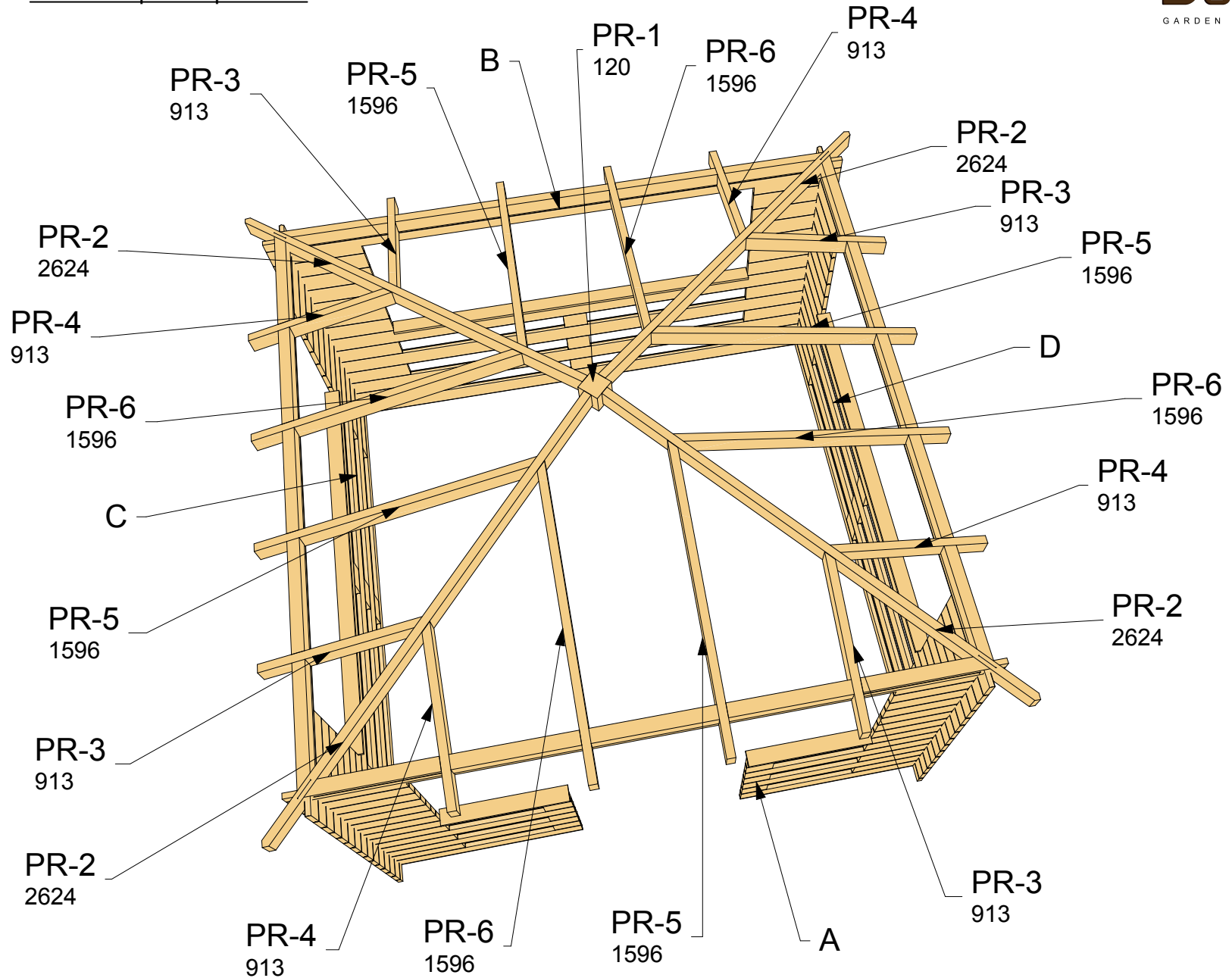




28mm Gazebo 3,5x3,5

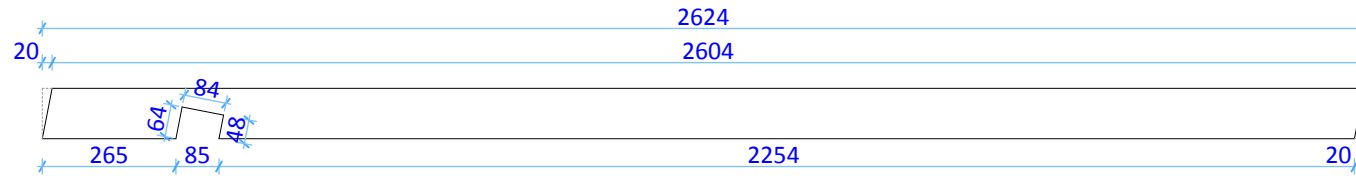
Architect name:	Thickness:	Type:	Project name:	Project No:	Year:	Page:
Karolis Vitkauskas	28mm	Standard	GAZEBO 3,5x3,5		2016	1 of 6

Walls and purlins positions

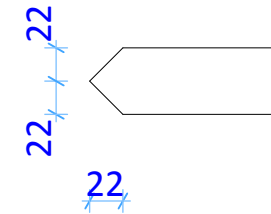


Architect name:	Thickness:	Type:	Project name:	Project No:	Year:	Page:
Karolis Vitkauskas	28mm	Standard	GAZEBO 3,5x3,5		2016	2 of 6

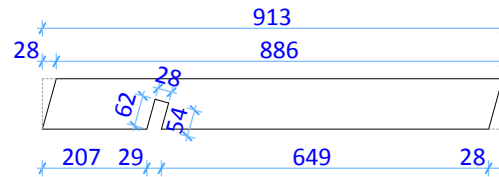
Purlins PR-2 detail side view



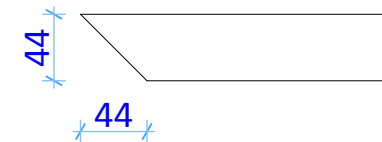
Purlins PR-2 top view



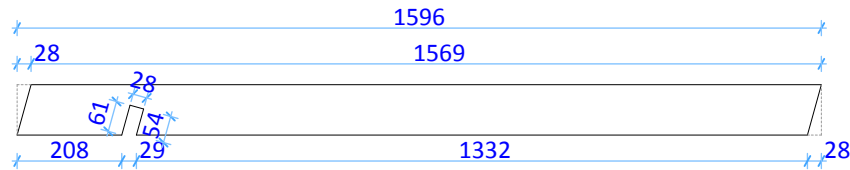
Purlins PR-3 and PR-4 detail side view



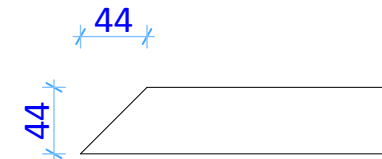
Purlins PR-4 and PR-6 top view



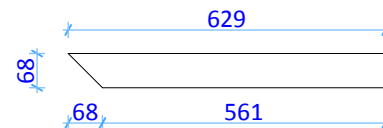
Purlins PR-5 and PR-6 detail side view



Purlins PR-3 and PR-5 top view



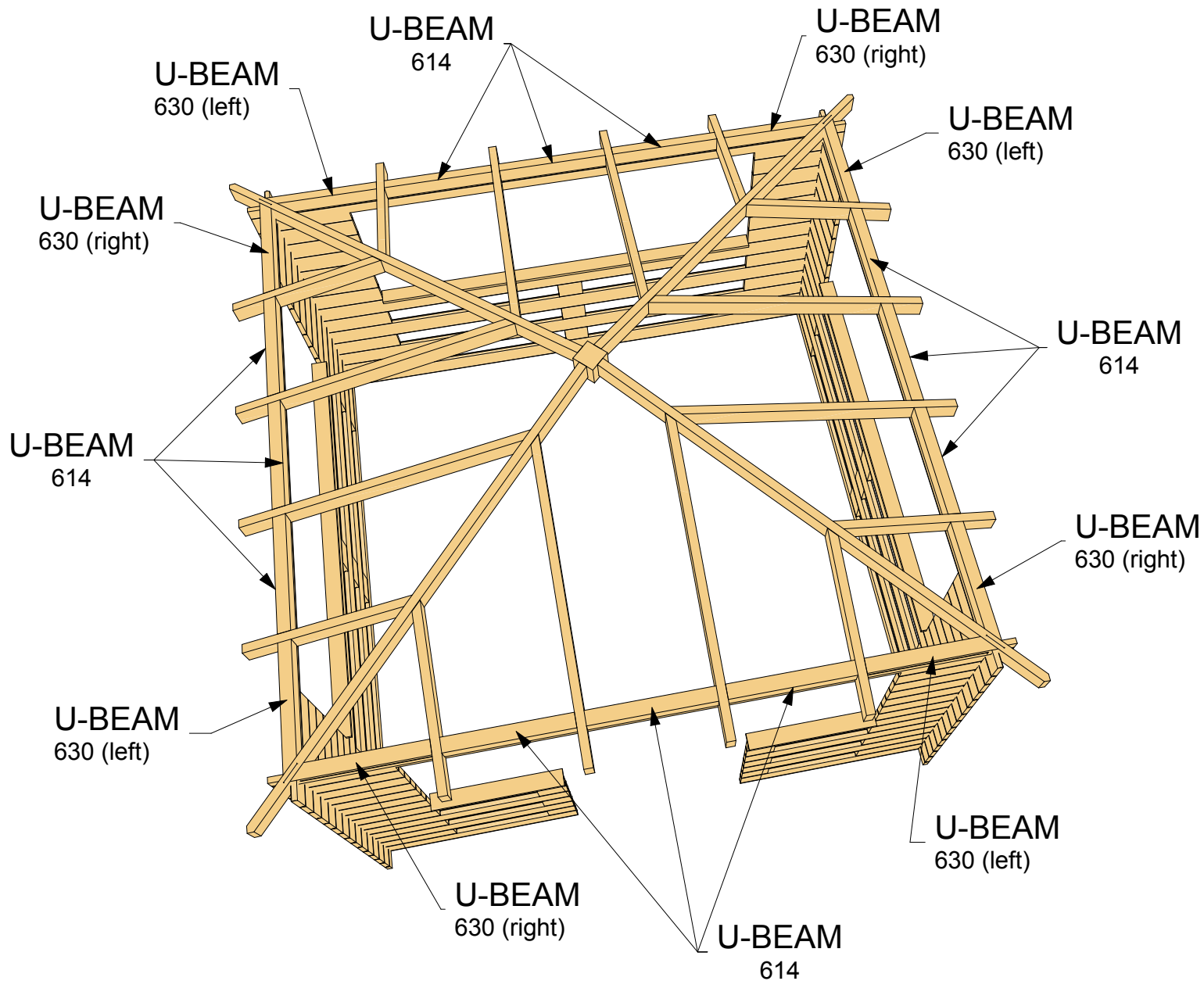
U-BEAM detail top view



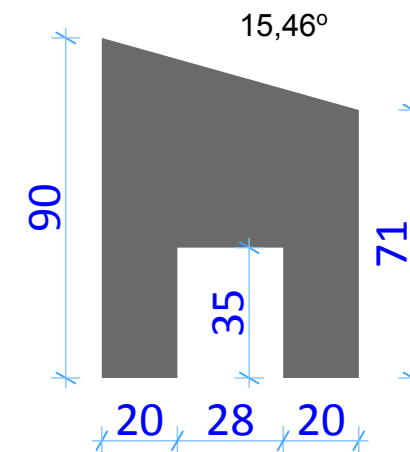
Note: 4units u-beams - left, 4units u-beams - right

Architect name:	Thickness:	Type:	Project name:	Project No:	Year:	Page:
Karolis Vitkauskas	28mm	Standard	GAZEBO 3,5x3,5		2016	3 of 6

U beams positions

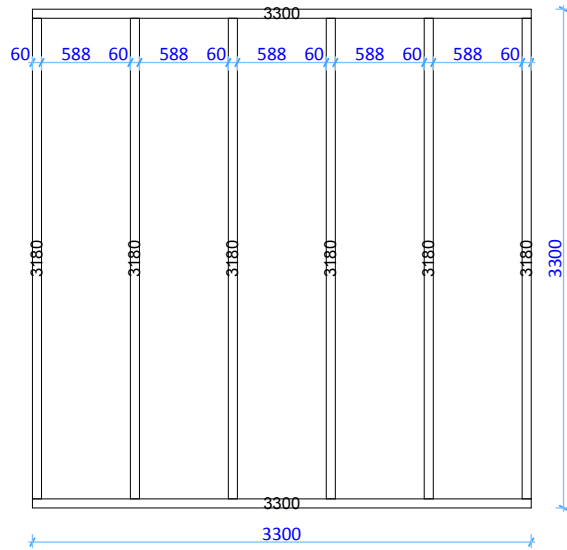


U profile detail

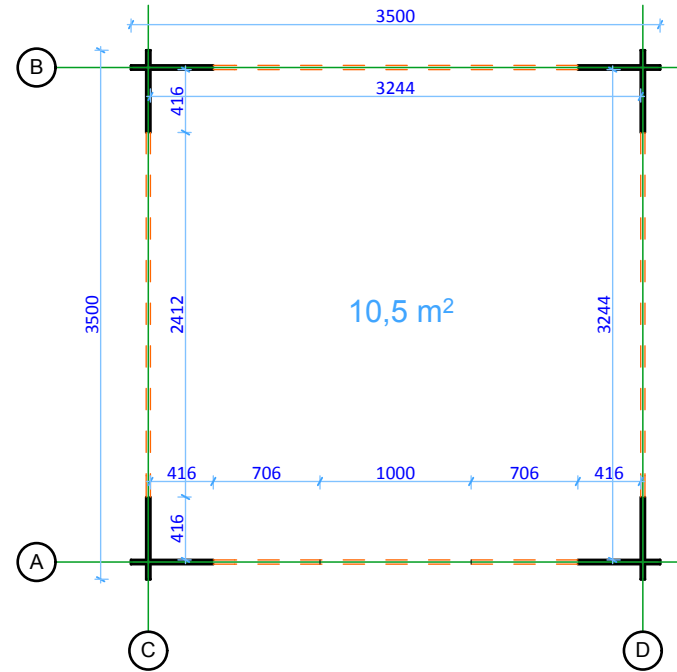


Architect name:	Thickness:	Type:	Project name:	Project No:	Year:	Page:
Karolis Vitkauskas	28mm	Standard	GAZEBO 3,5x3,5		2016	4 of 6

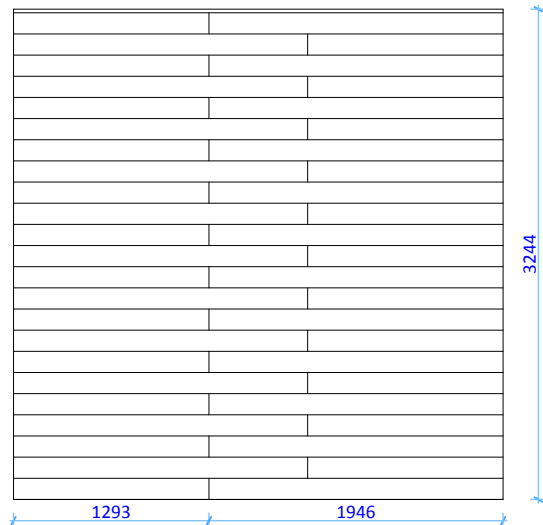
Floor bearers 1:50



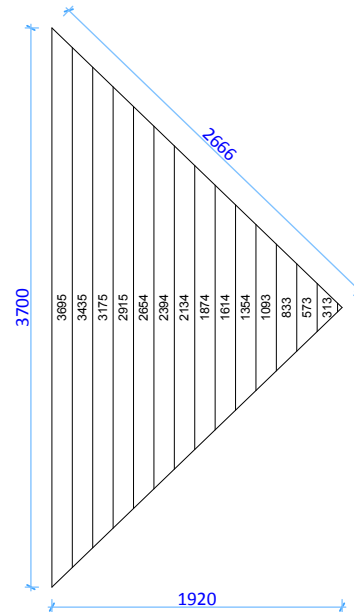
Floor plan 1:50



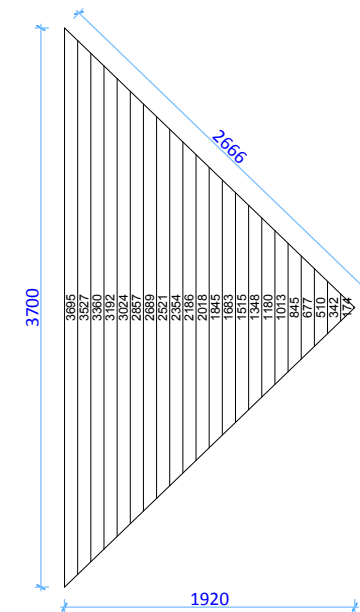
Terrace boards



Roof boards (if board width is 135mm)

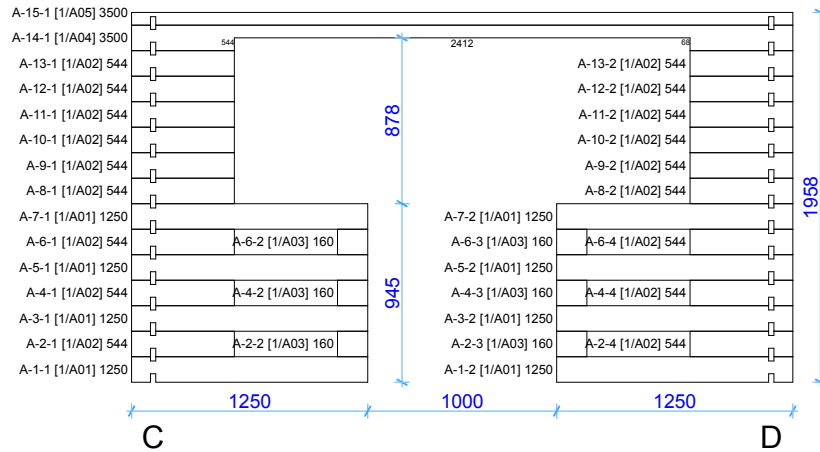


Roof boards (if board width is 87mm)

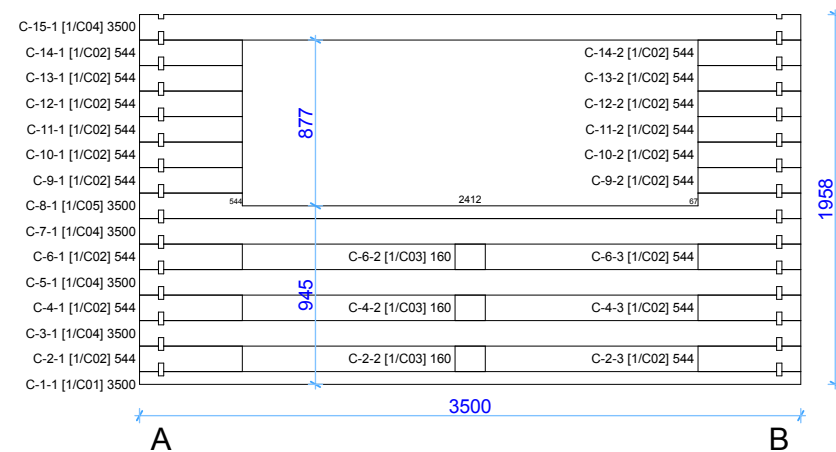


Architect name:	Thickness:	Type:	Project name:	Project No:	Year:	Page:
Karolis Vitkauskas	28mm	Standard	GAZEBO 3,5x3,5		2016	5 of 6

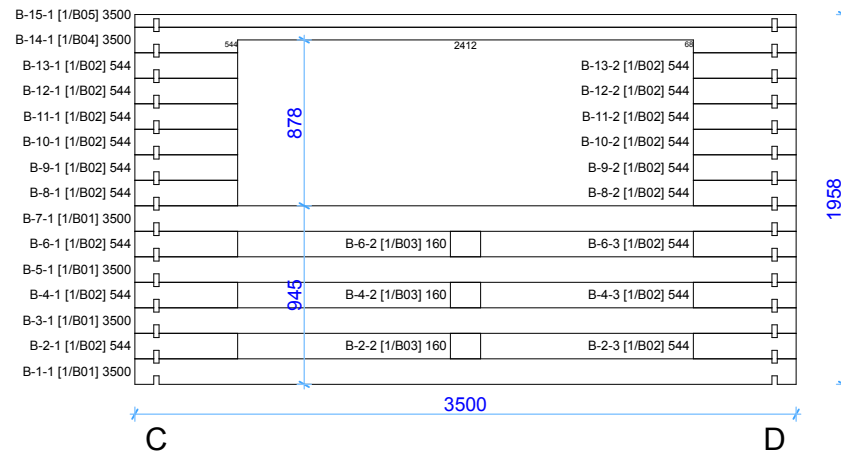
Wall A



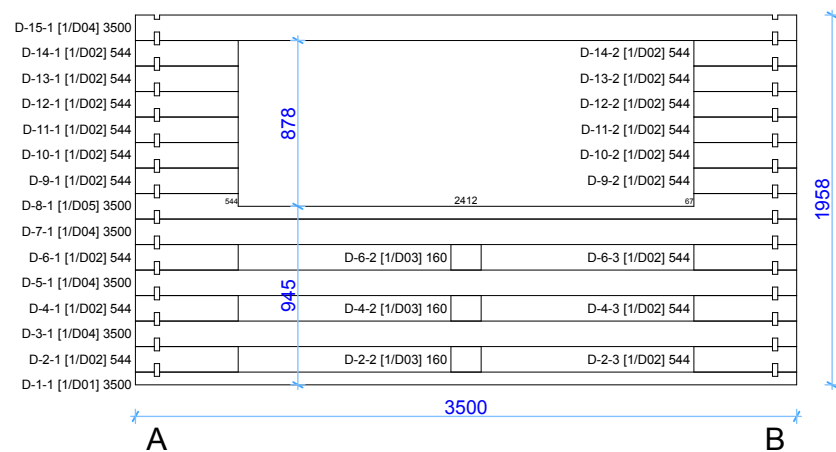
Wall C



Wall B



Wall D



Architect name:	Thickness:	Type:	Project name:	Project No:	Year:	Page:
Karolis Vitkauskas	28mm	Standard	GAZEBO 3,5x3,5		2016	6 of 6