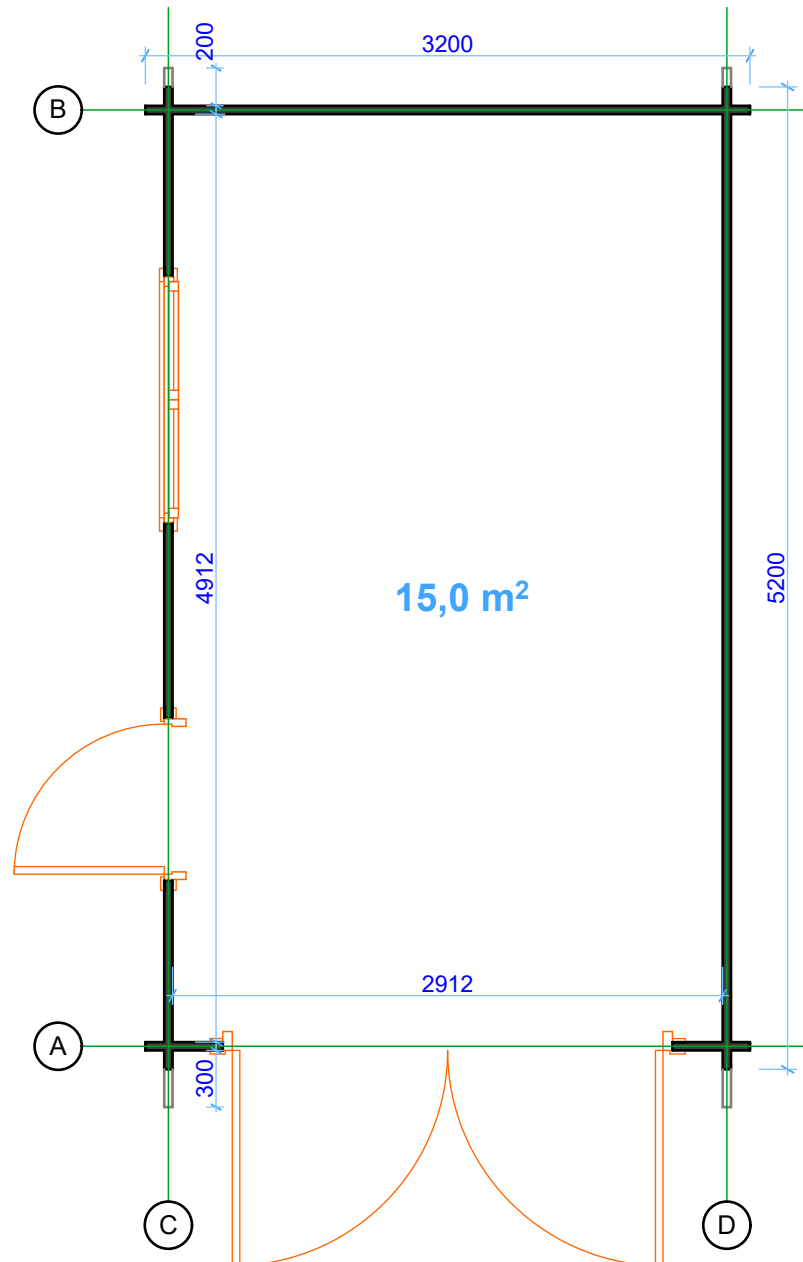


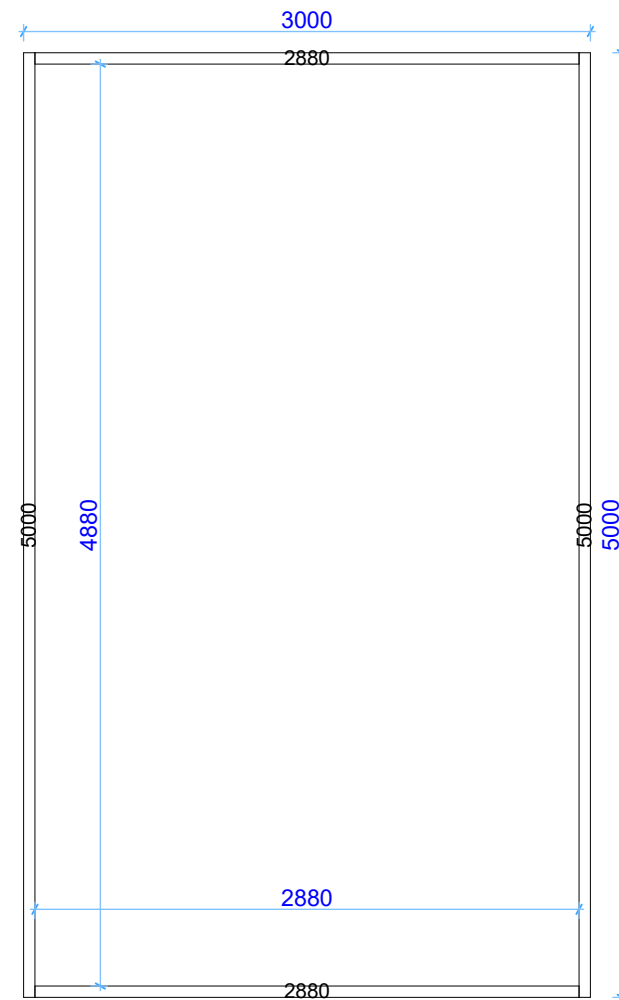


44mm Garage 3,2x5,2 (UK1)

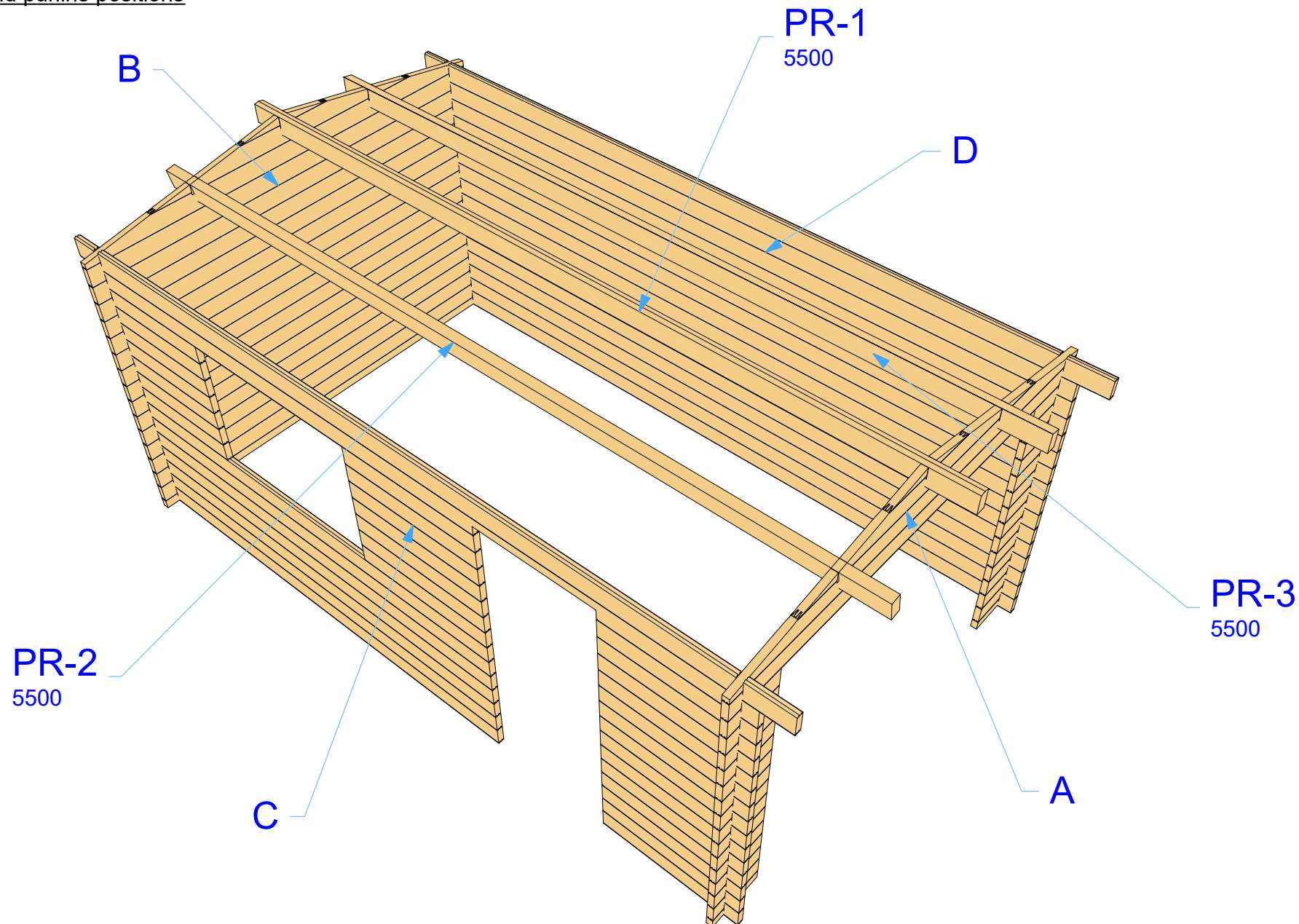
Floor plan



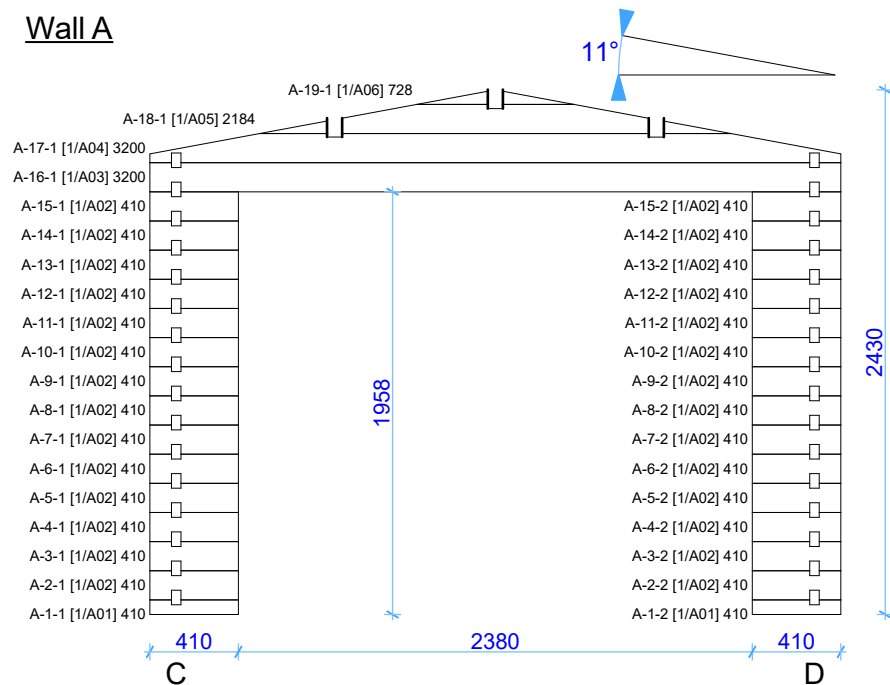
Floor bearers



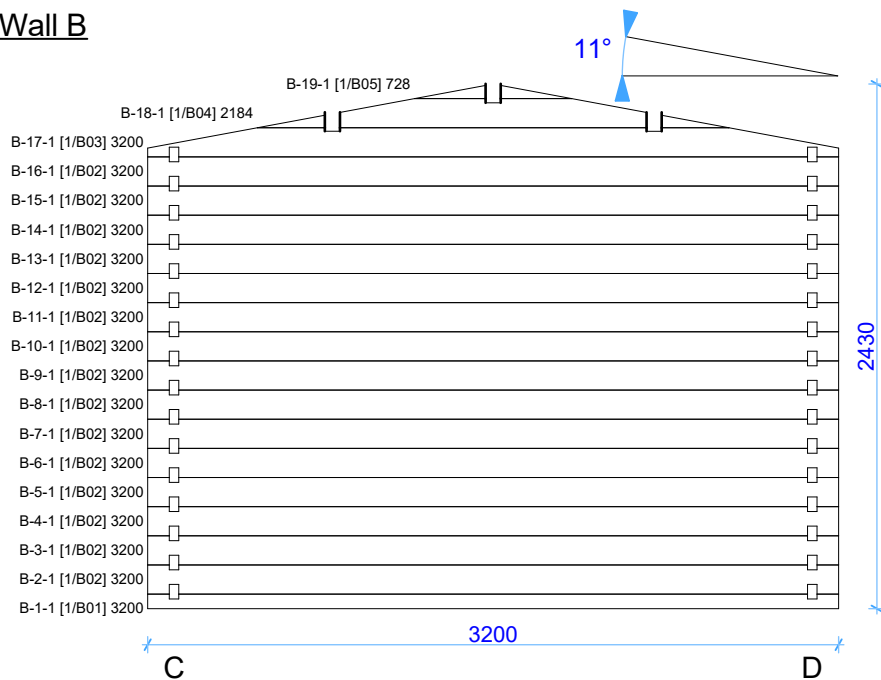
Walls and purlins positions



Wall A



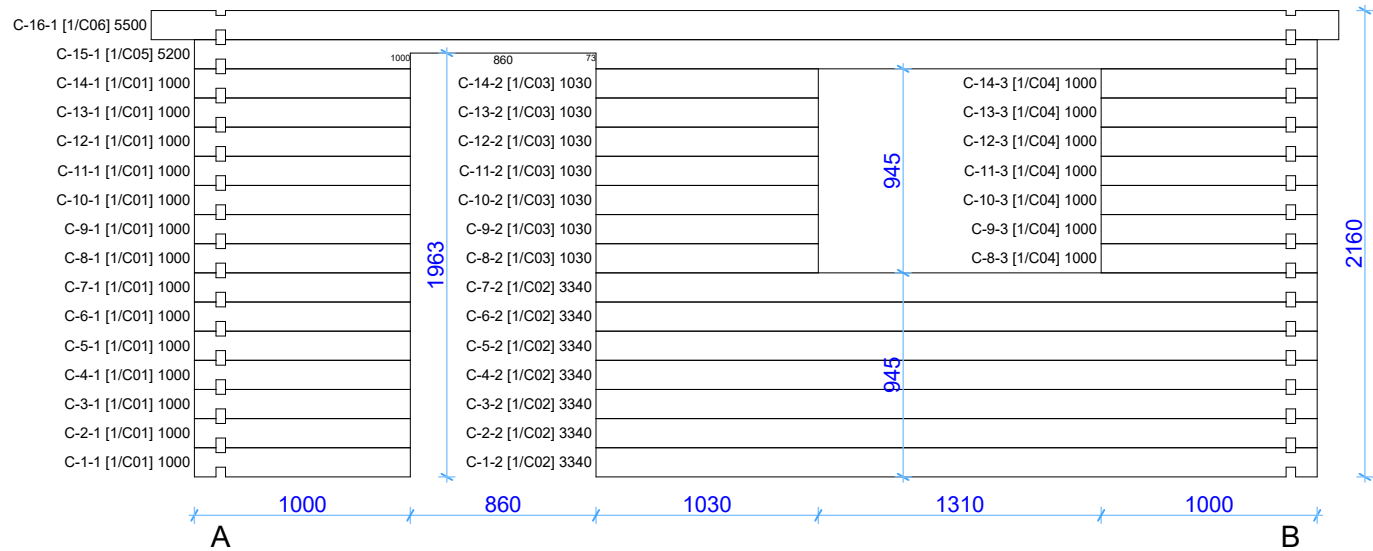
Wall B



Roof boards



Wall C



Wall D

