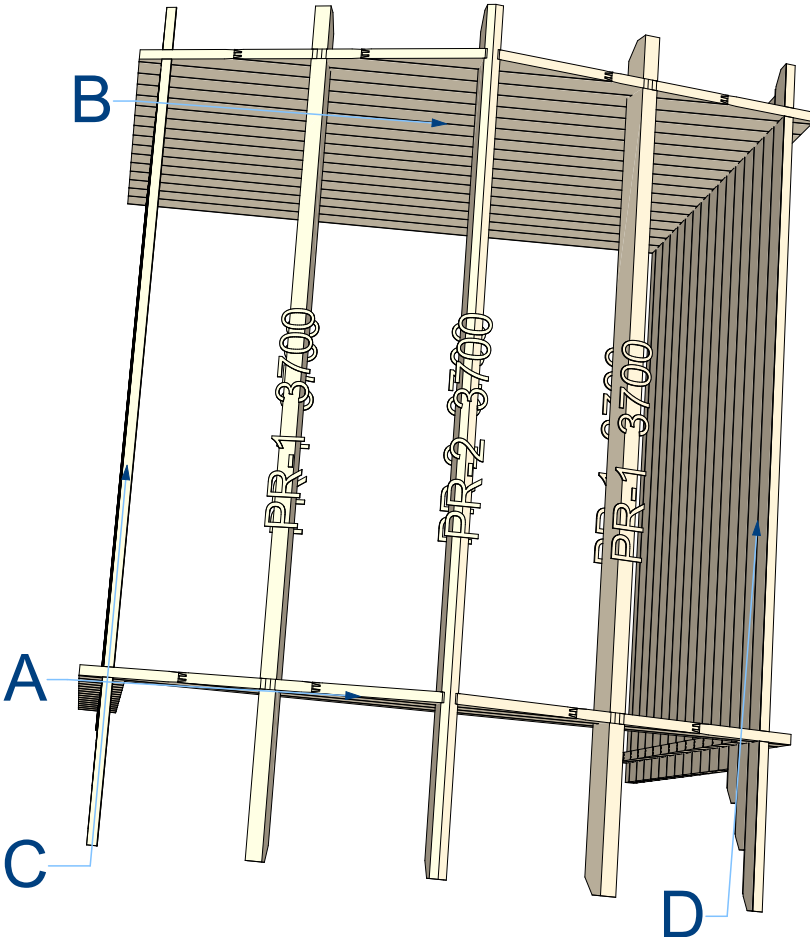




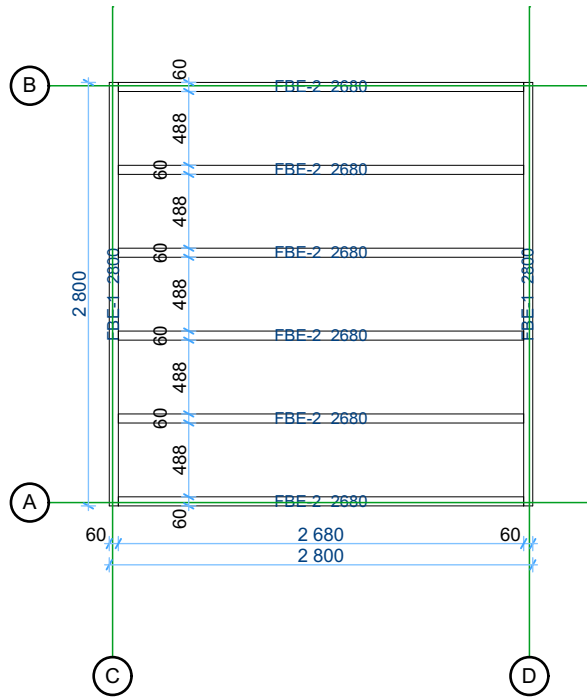
# 44 Faversham 3x3

Walls and purlins positions

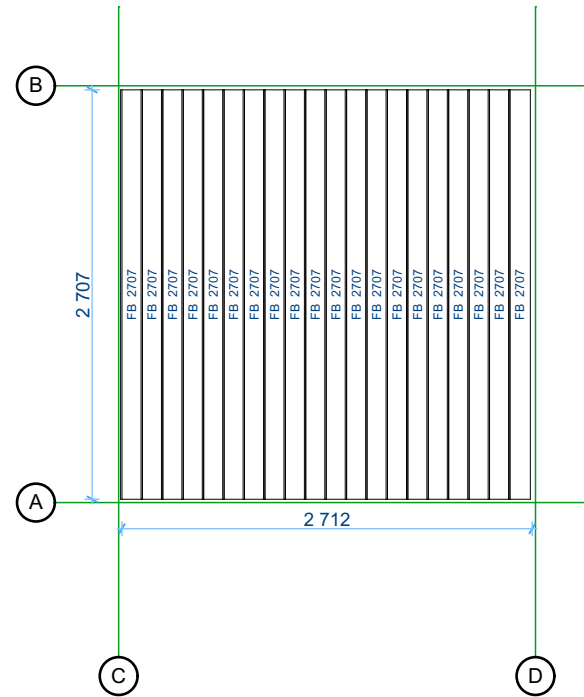


Thickness:	Project name:	Project ID:	Year:	Page:
44	Faversham 3x3		2023	2

Floor bearers 1:50

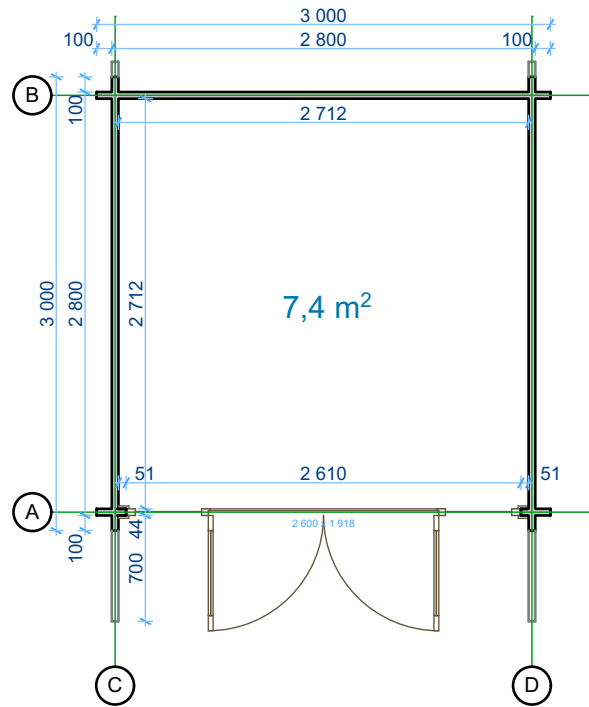


Floor boards 1:50

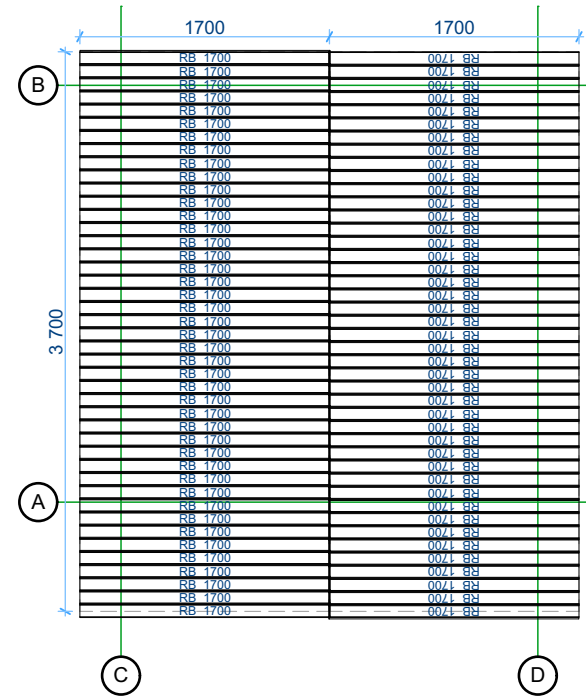


Thickness:	Project name:	Project ID:	Year:	Page:
44	Faversham 3x3		2023	3

Ground floor plan 1:50



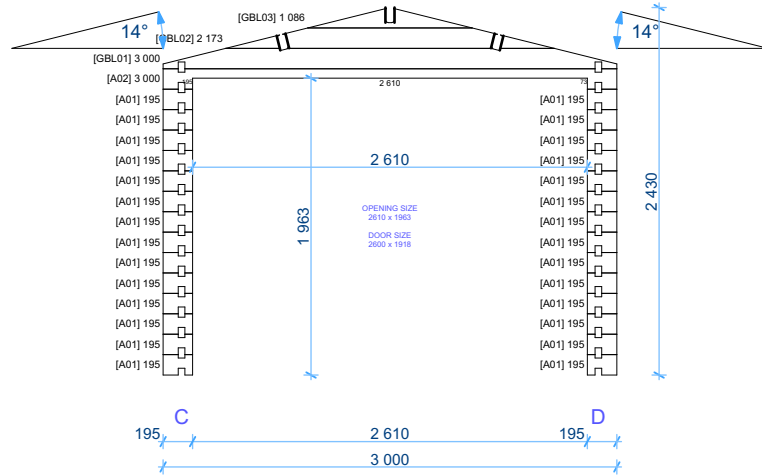
Roof boards 1:50



Thickness:	Project name:	Project ID:	Year:	Page:
44	Faversham 3x3		2023	4

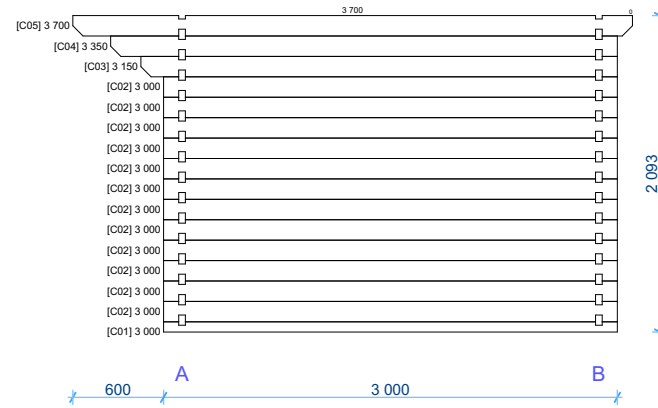
Wall A

1:50



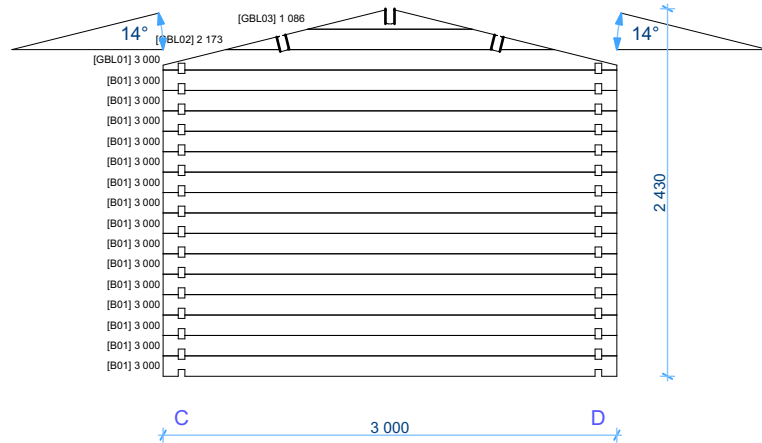
Wall C

1:50



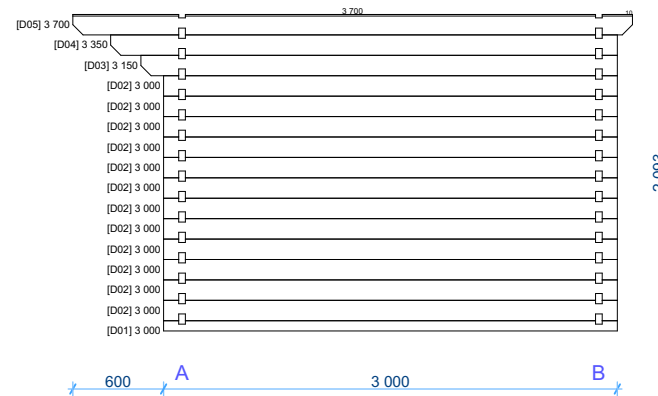
Wall B

1:50

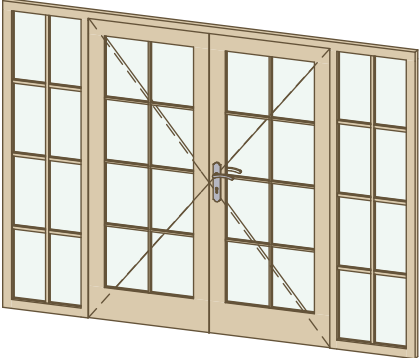


Wall D

1:50



Thickness:	Project name:	Project ID:	Year:	Page:
44	Faversham 3x3		2023	5

Windows and doors list							
Type-quality	Barcode	Wall Thickness	W x H Size	Orientation	Glazing	Quantity	3D Axonometry
Door - Premium	---	44	2 600×1 918	R	100%, double glazed, safety glass	1	

Thickness:	Project name:	Project ID:	Year:	Page:
44	Faversham 3x3		2023	6