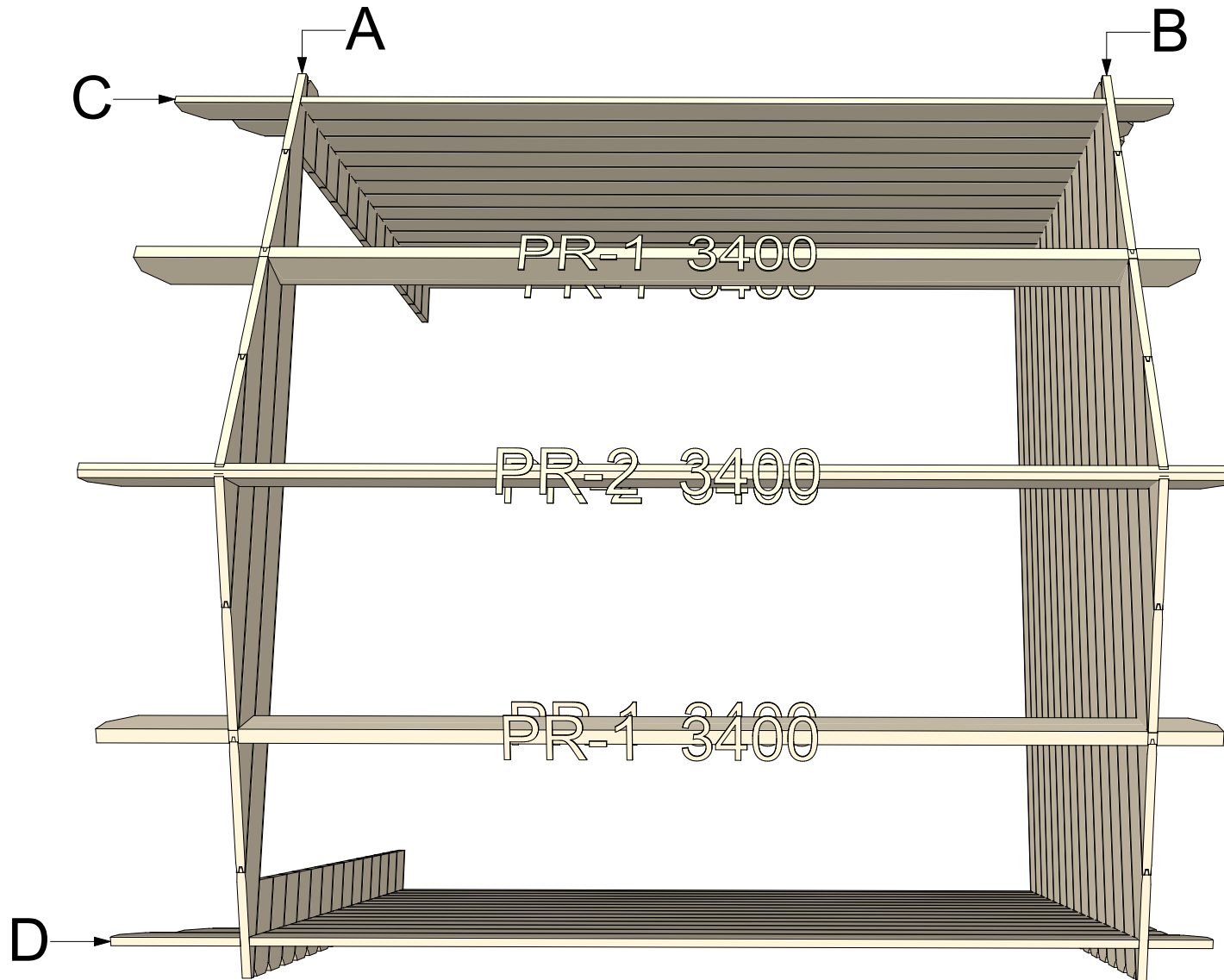




**28 Faversham 3x3**

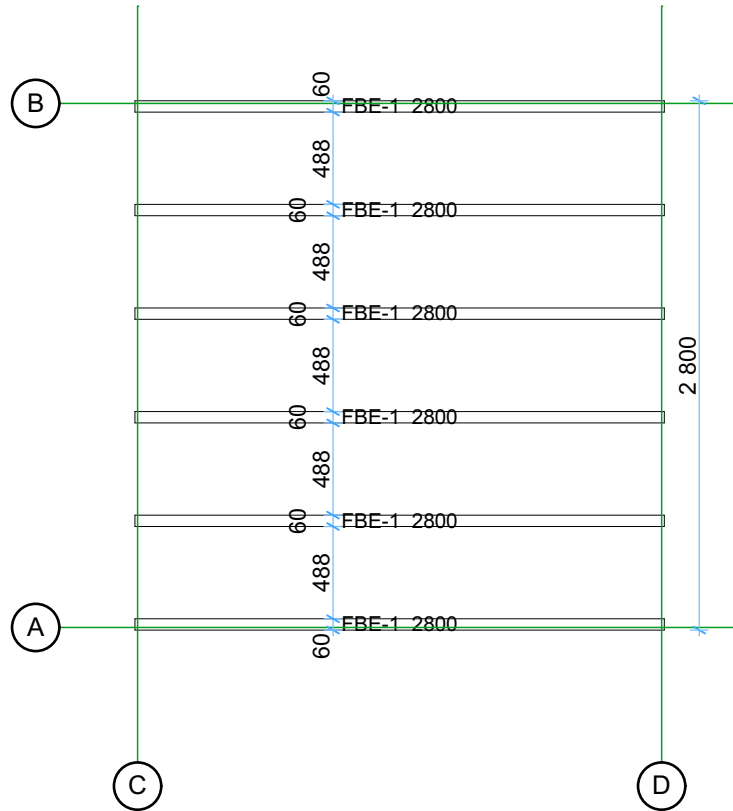
Walls and purlins positions



Thickness:	Project name:	Project ID:	Year:	Page:
28	Faversham 3x3		2022	2

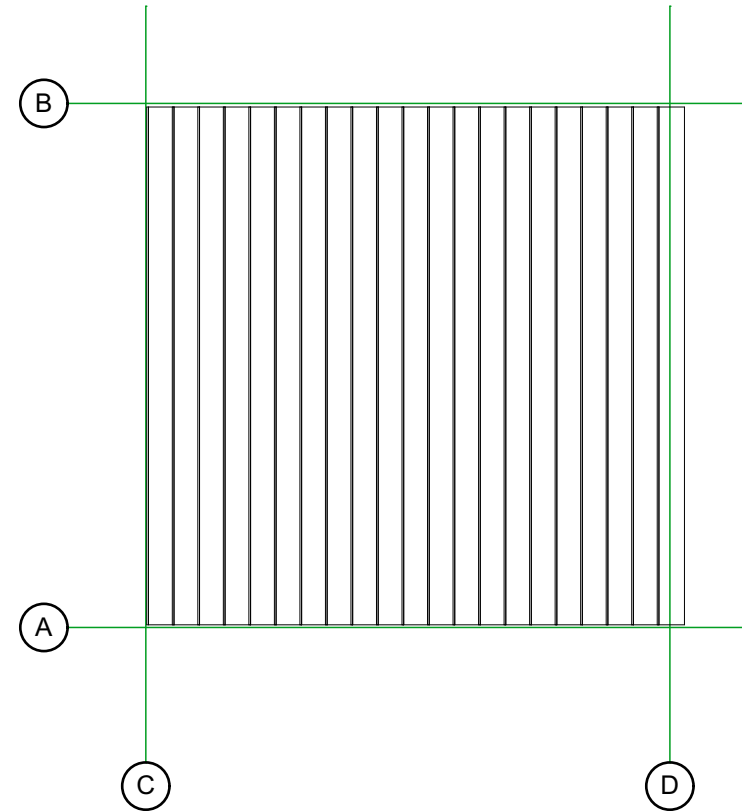
Floor bearers

1:40



Floor boards

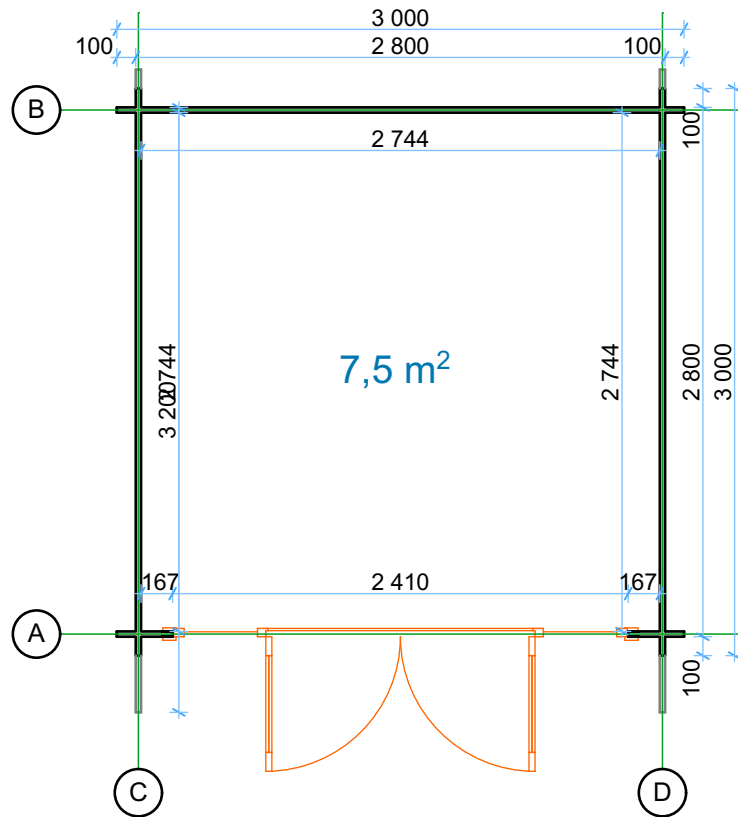
1:40



Thickness:	Project name:	Project ID:	Year:	Page:
28	Faversham 3x3		2022	3

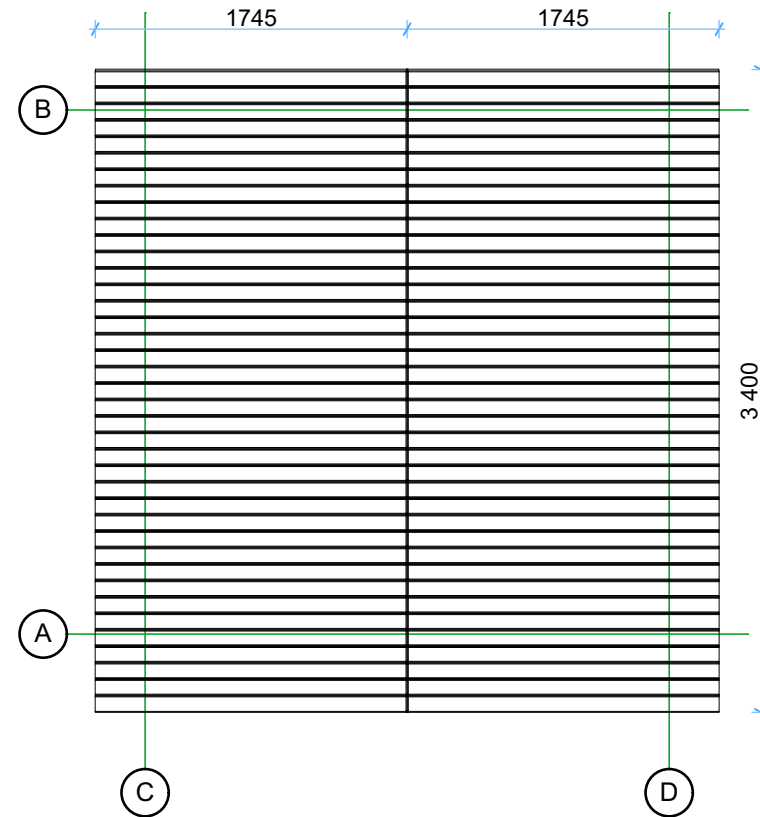
Ground floor plan

1:40



Roof boards

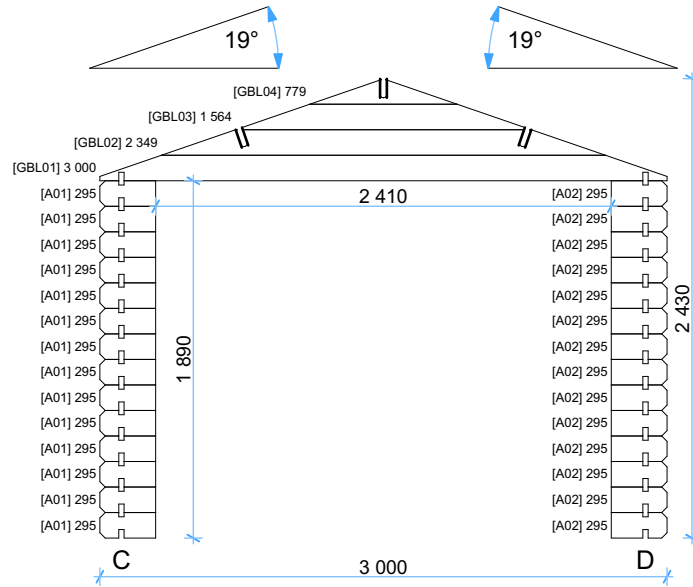
1:40



Thickness:	Project name:	Project ID:	Year:	Page:
28	Faversham 3x3		2022	4

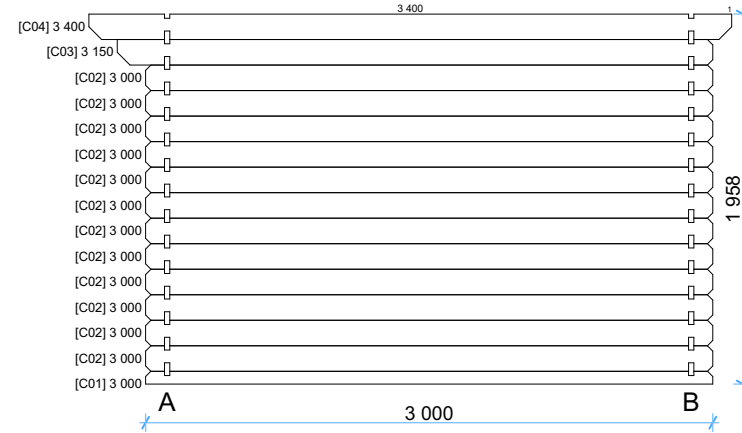
Wall A

1:40



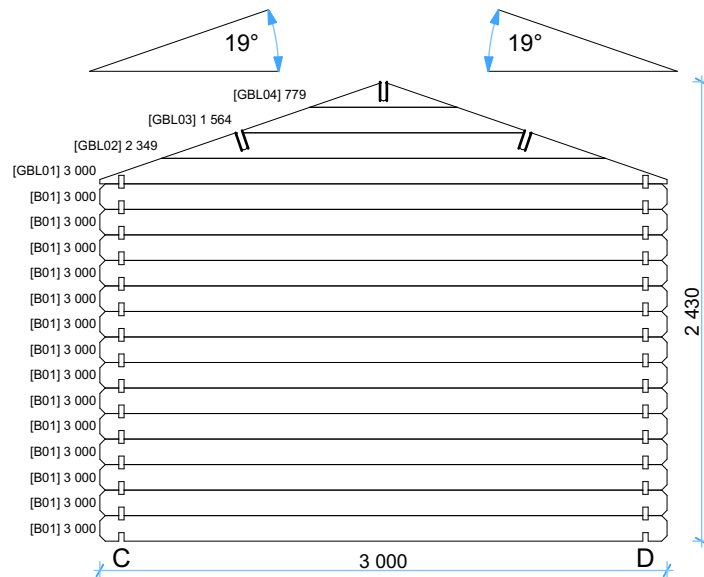
Wall C

1:40



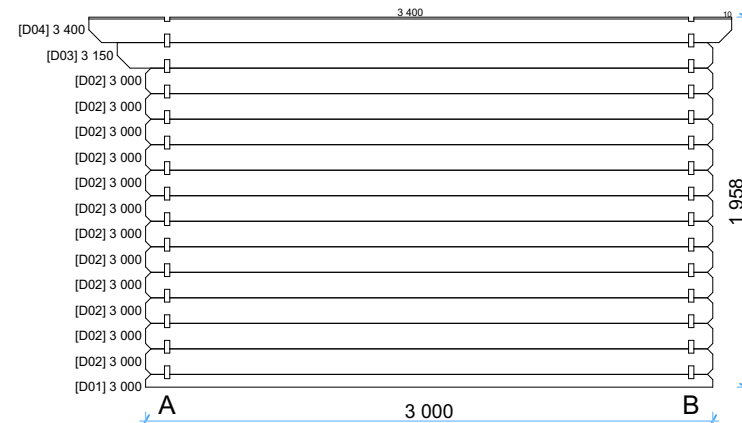
Wall B

1:40

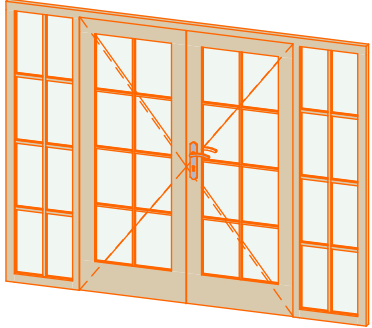


Wall D

1:40



Thickness:	Project name:	Project ID:	Year:	Page:
28	Faversham 3x3		2022	5

Windows and doors list							
Barcode	Type-quality	Wall Thickness	W x H Size	Orientation	Glazing	Quantity	3D Axonometry
S185240-4	Door - Economy	28	2 400×1 850	R	100% glass, single glazed, safety (toughened) glass	1	

Thickness:	Project name:	Project ID:	Year:	Page:
28	Faversham 3x3		2022	6