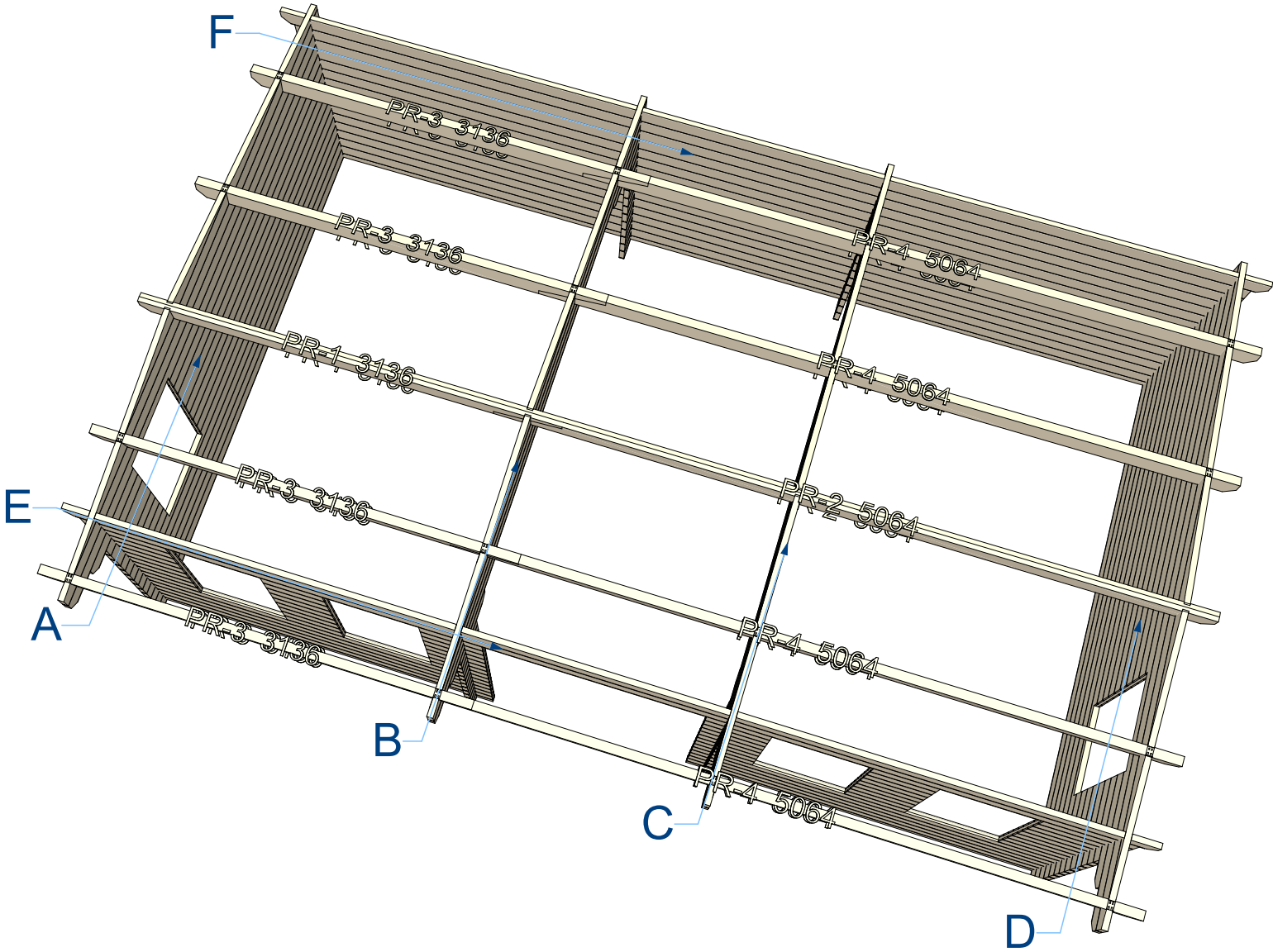




44 Epsom 4,5x7,5

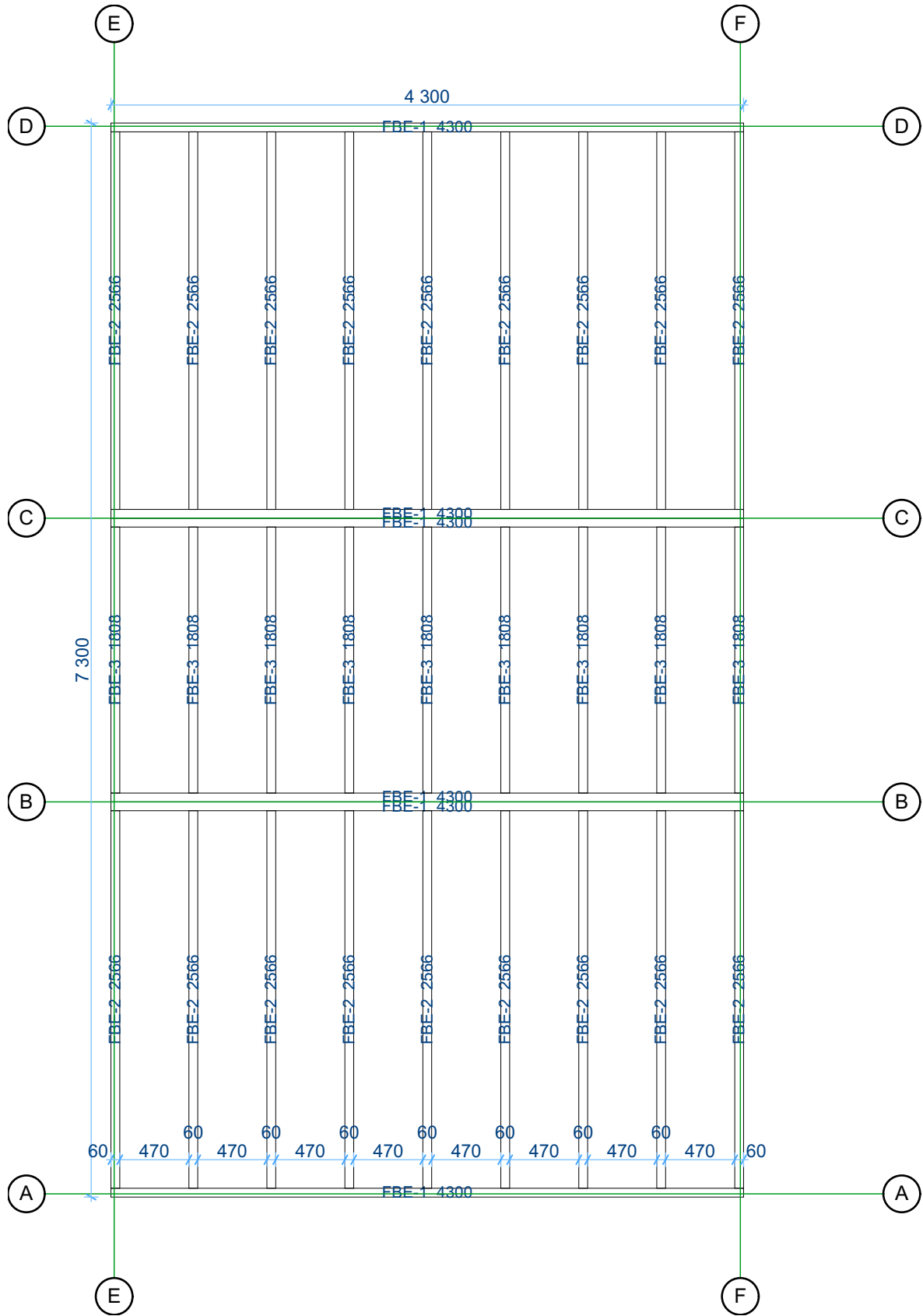
Walls and purlins positions



Thickness:	Project name:	Project ID:	Year:	Page:
44	Epsom 4,5x7,5		2023	2

Floor bearers

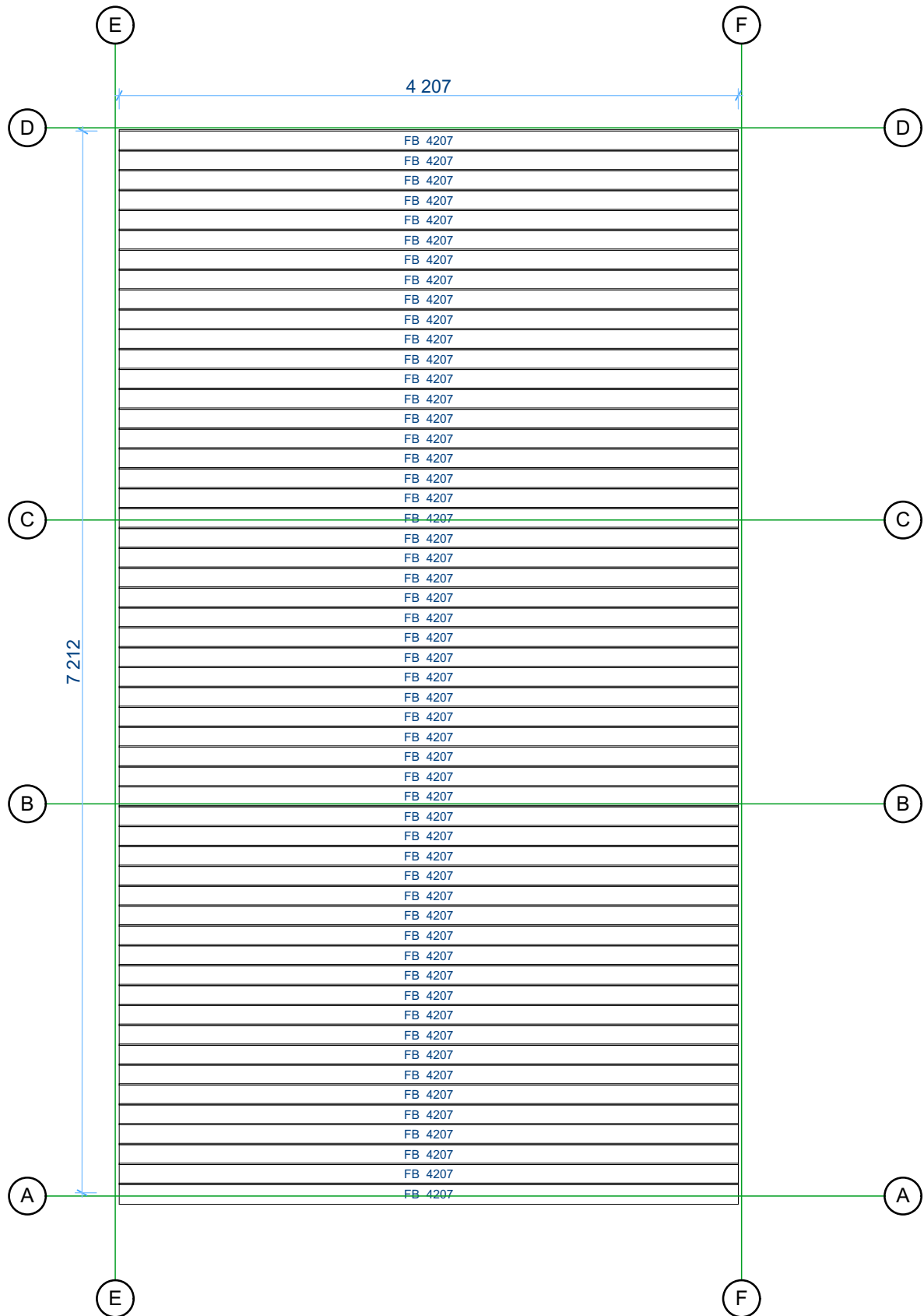
1:40



Thickness:	Project name:	Project ID:	Year:	Page:
44	Epsom 4,5x7,5		2023	3

Floor boards

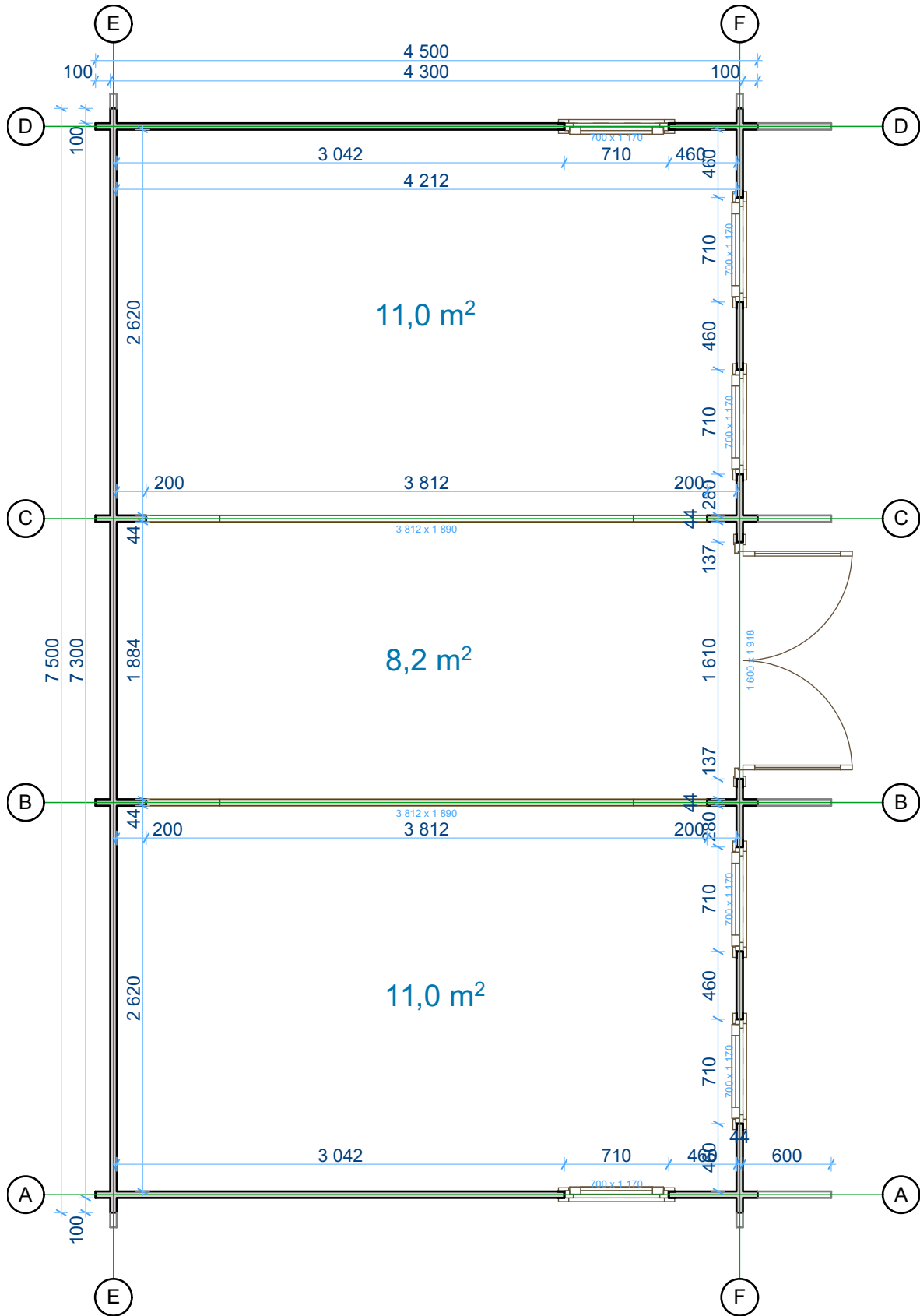
1:40



Thickness:	Project name:	Project ID:	Year:	Page:
44	Epsom 4,5x7,5		2023	4

Ground floor plan

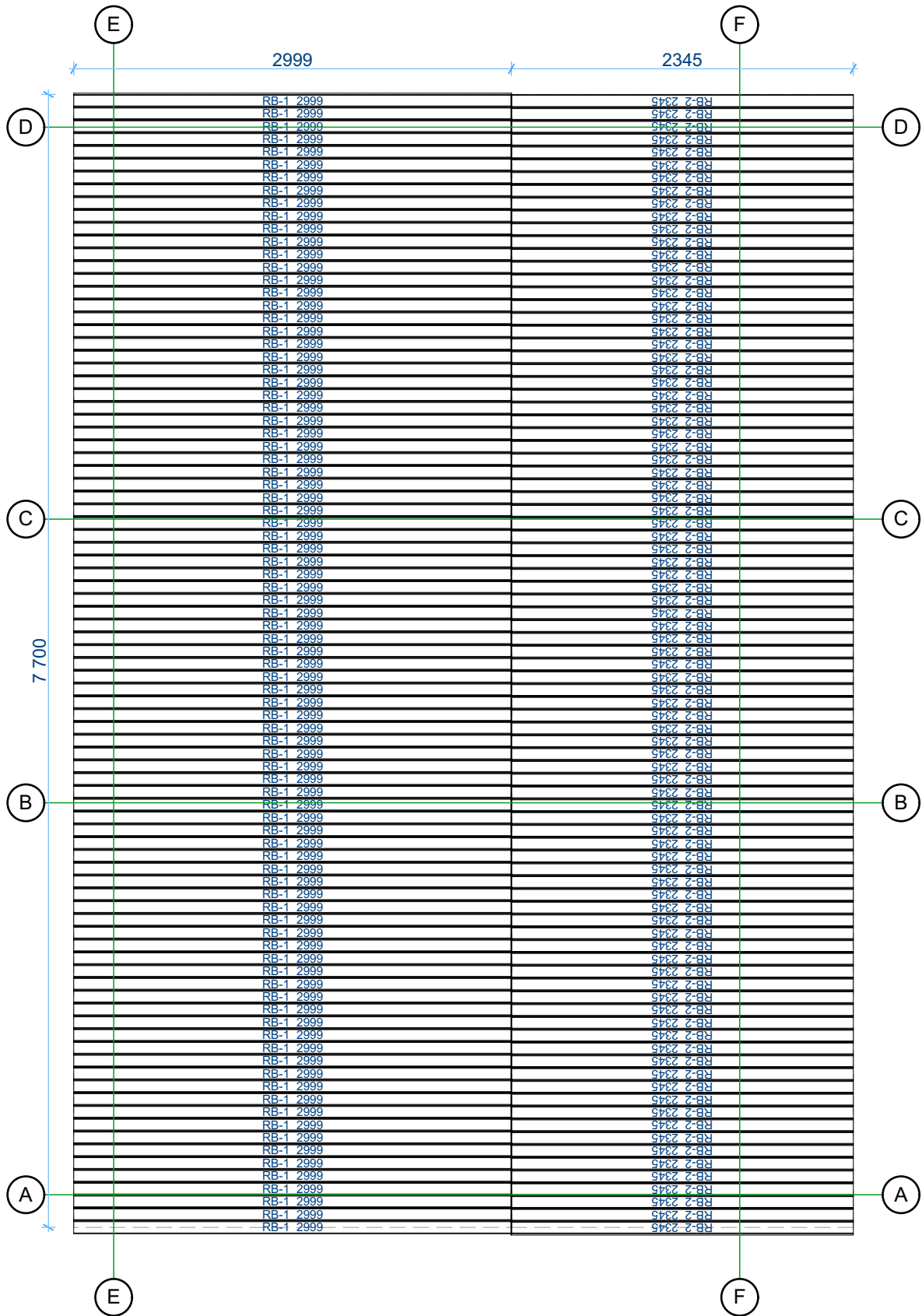
1:40



Thickness:	Project name:	Project ID:	Year:	Page:
44	Epsom 4,5x7,5		2023	5

Roof boards

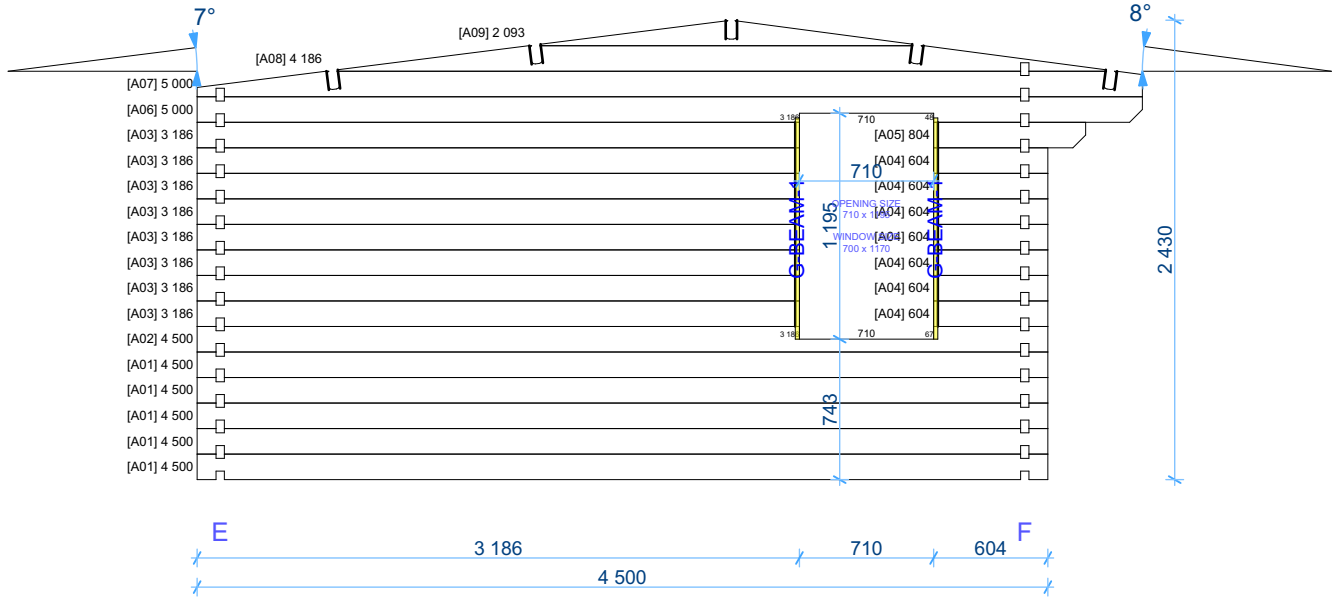
1:40



Thickness:	Project name:	Project ID:	Year:	Page:
44	Epsom 4,5x7,5		2023	6

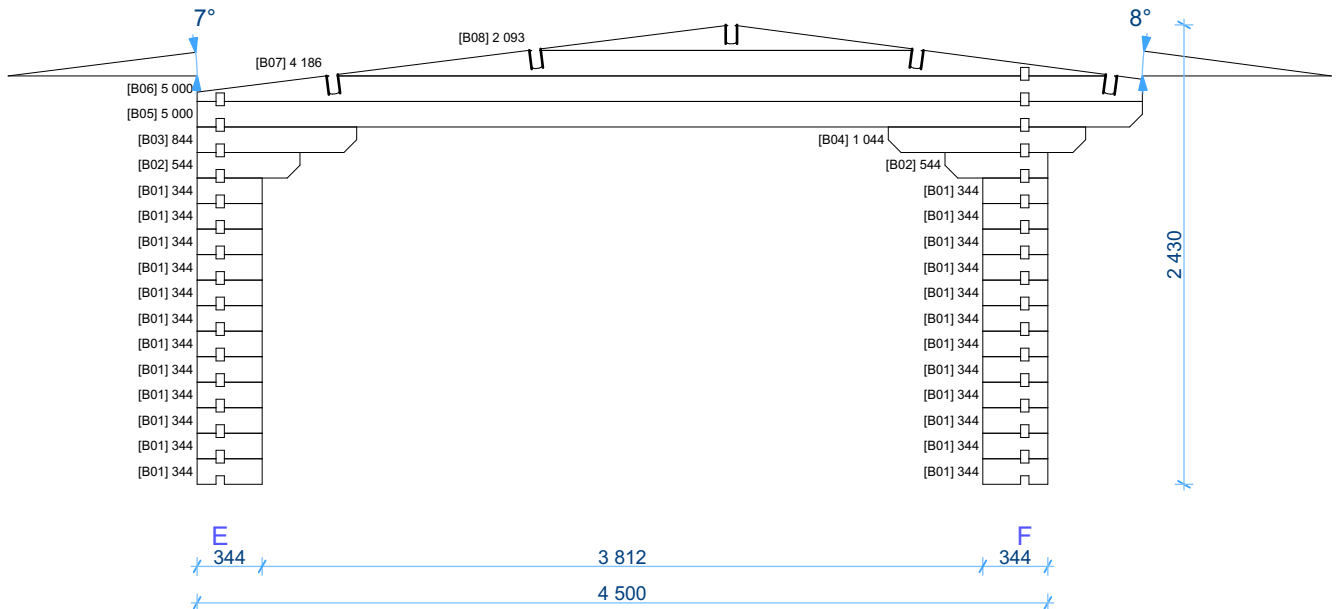
Wall A

1:40



Wall B

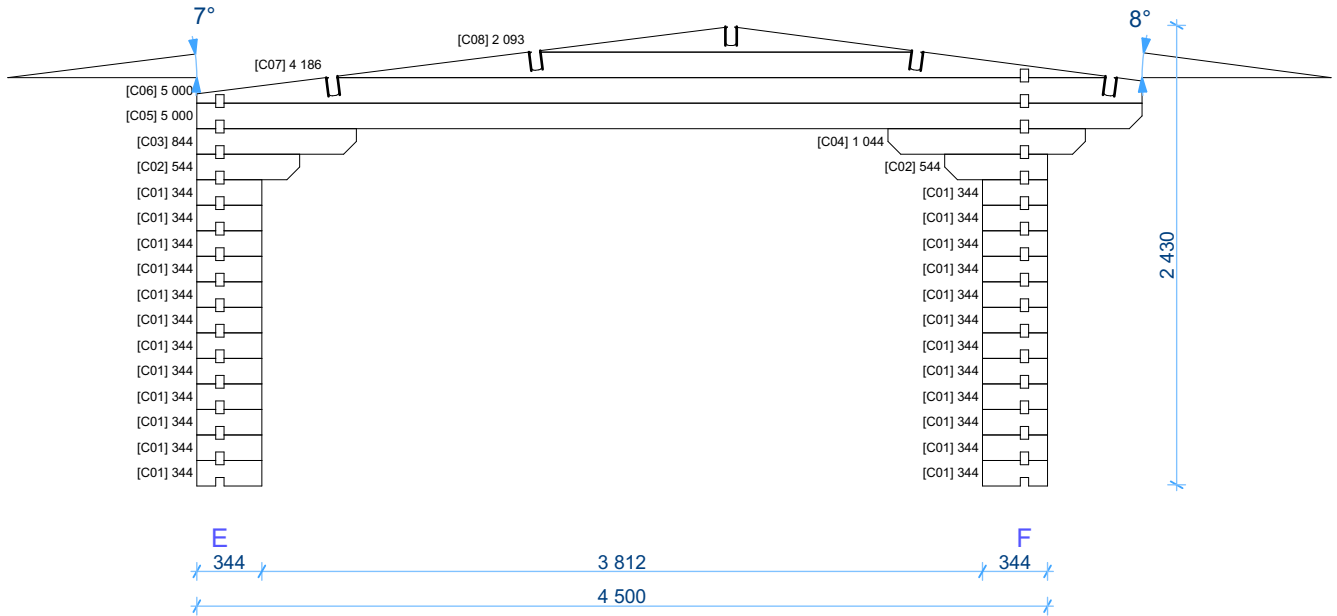
1:40



Thickness:	Project name:	Project ID:	Year:	Page:
44	Epsom 4,5x7,5		2023	7

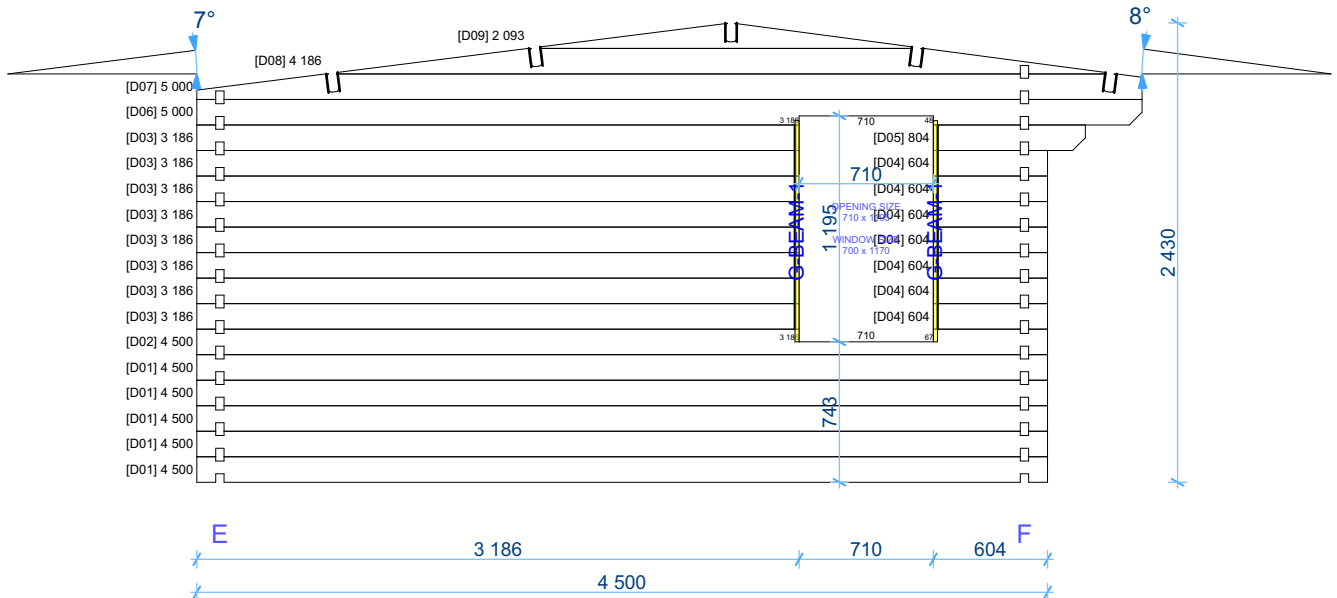
Wall C

1:40



Wall D

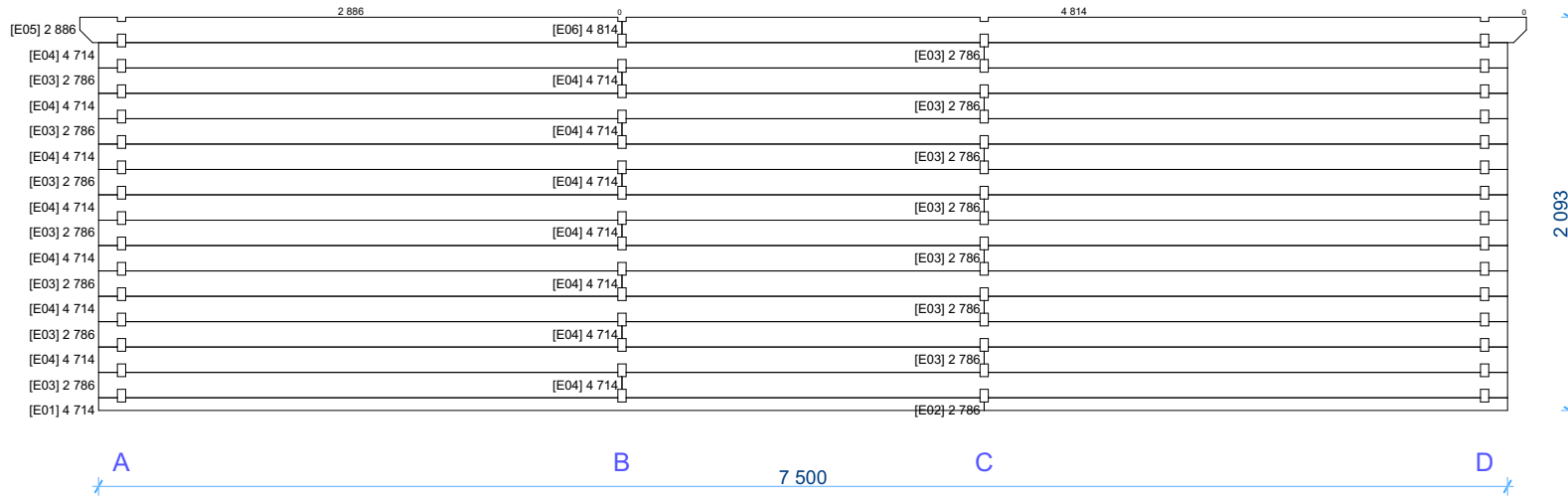
1:40



Thickness:	Project name:	Project ID:	Year:	Page:
44	Epsom 4,5x7,5		2023	8

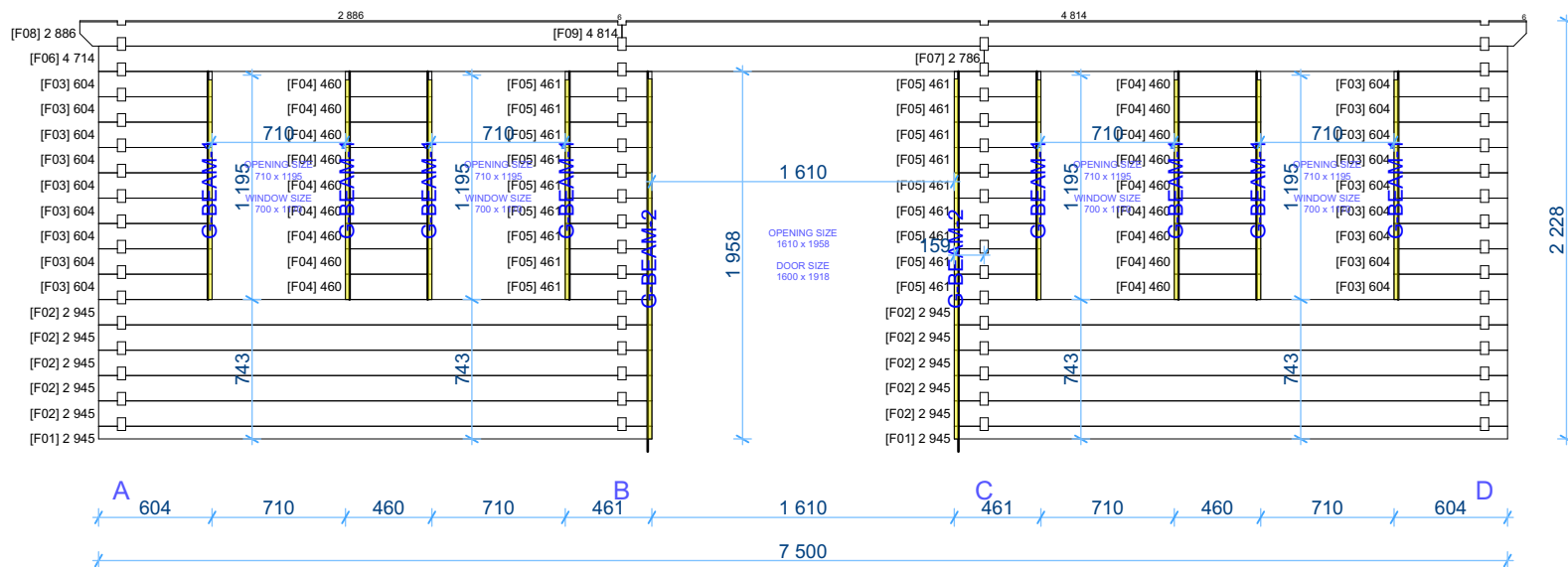
Wall E

1:40

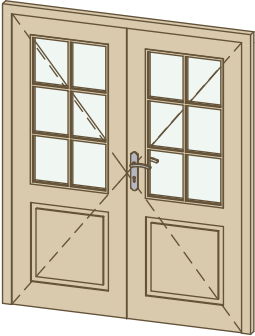




Wall F

1:40



Thickness:	Project name:	Project ID:	Year:	Page:
44	Epsom 4,5x7,5		2023	9

Windows and doors list							
Type-quality	Barcode	Wall Thickness	W x H Size	Orientation	Glazing	Quantity	3D Axonometry
Door - Premium	PG192160-2	44	1 600×1 918	R	50% glass, double glazed, safety (toughened) glass	1	
Window - Premium plus	P+G11770	44	700×1 170	L	Double glazed, safety (toughened) glass	3	
Window - Premium plus	P+G11770	44	700×1 170	R	Double glazed, safety (toughened) glass	3	

Thickness:	Project name:	Project ID:	Year:	Page:
44	Epsom 4,5x7,5		2023	10