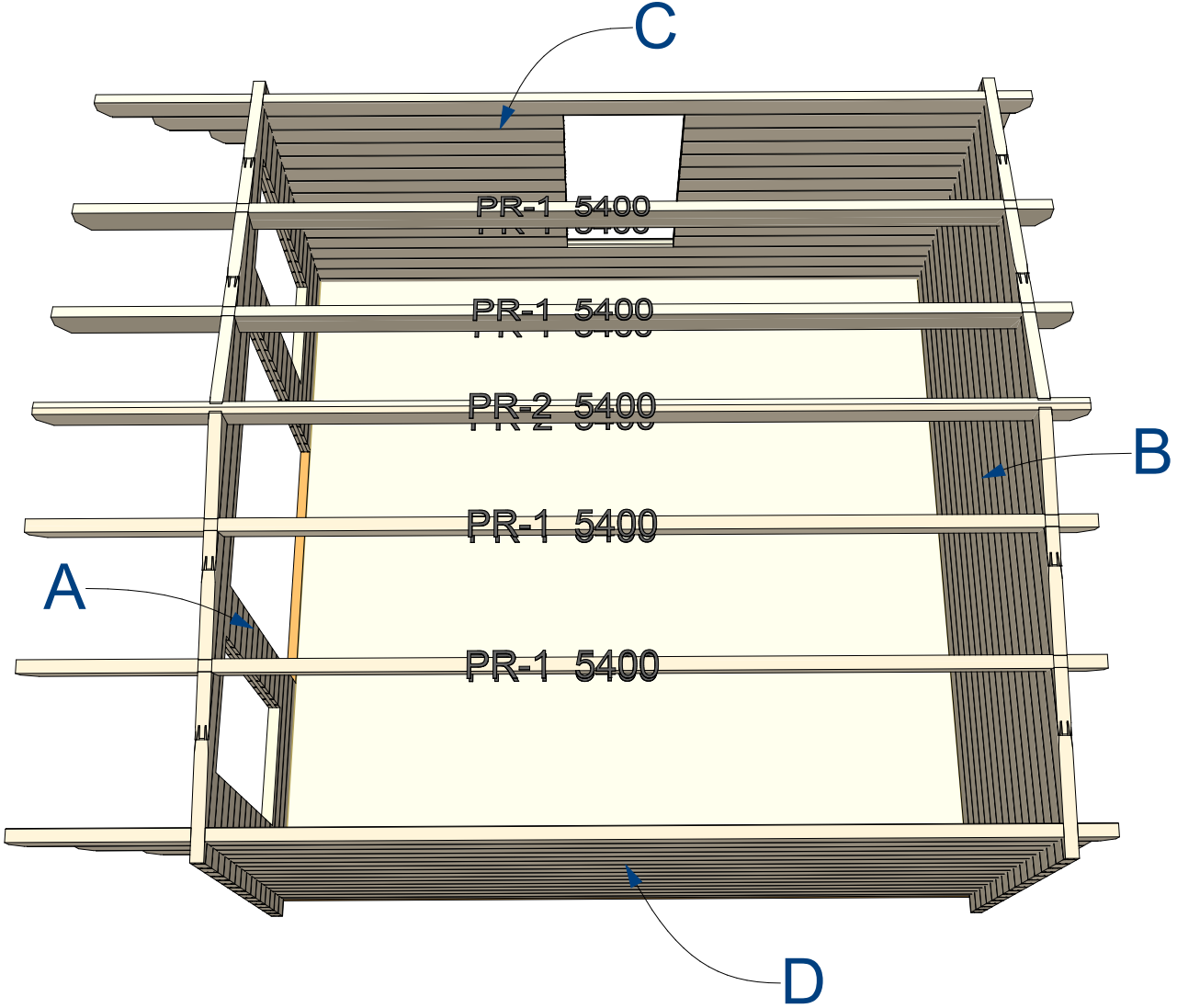




**68 Devon 4,5x4,5**

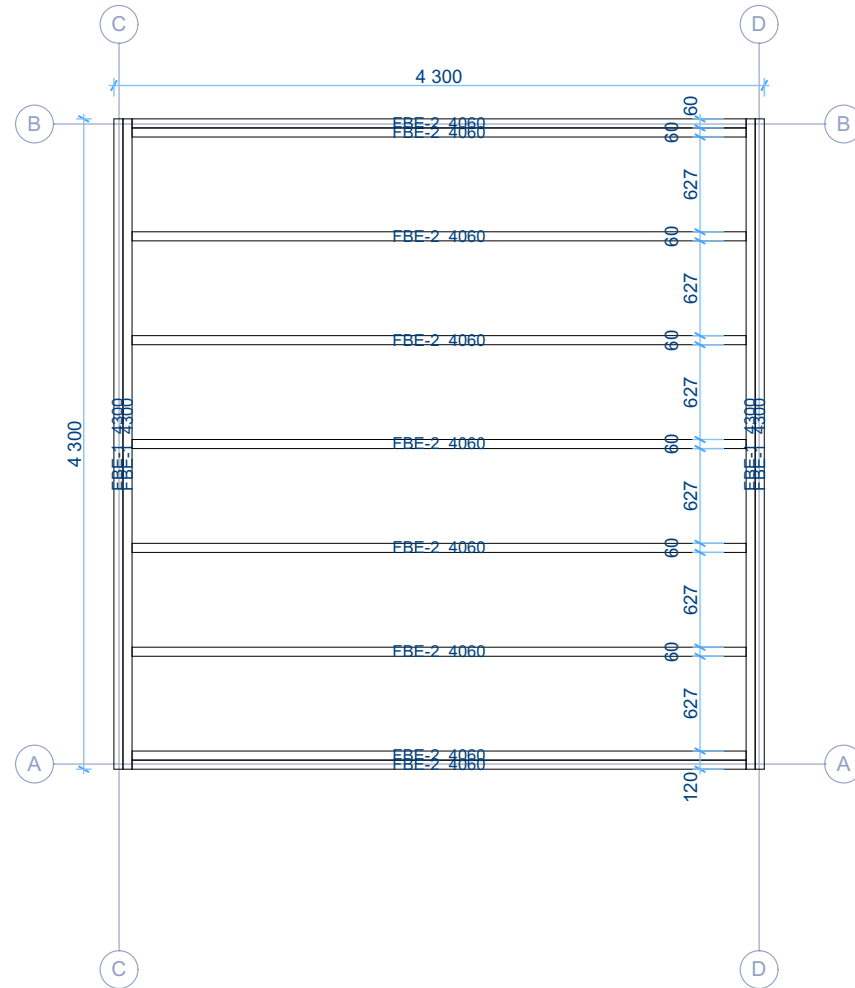
Walls and purlins position



Thickness:	Project name:	Project ID:	Year:	Page:
68	Devon 4,5x4,5		2023	2

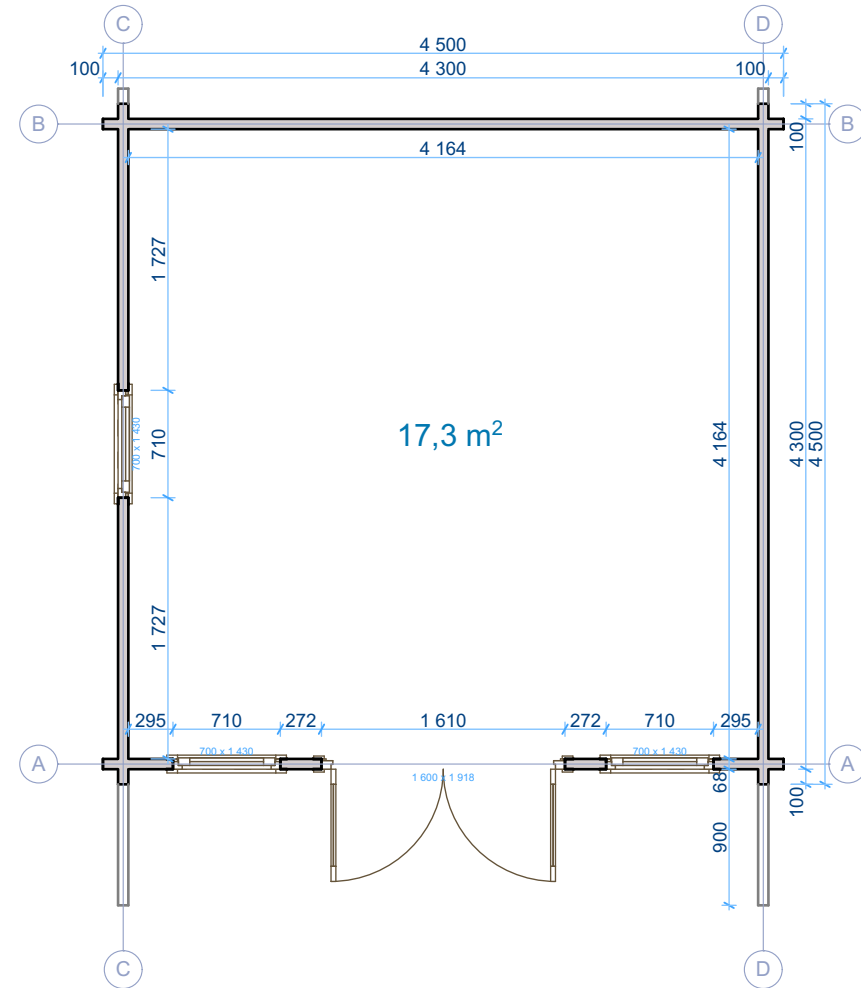
Floor bearers

1:50



Ground floor plan

1:50

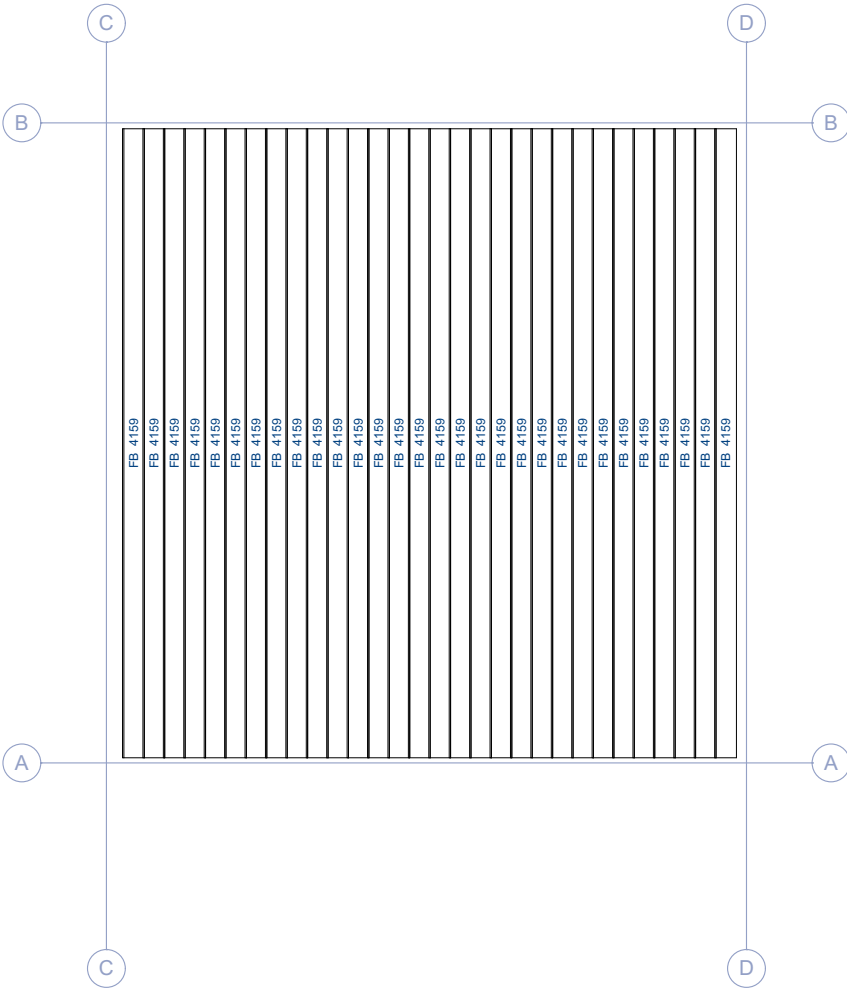


Thickness:	Project name:	Project ID:	Year:	Page:
68	Devon 4,5x4,5		2023	3



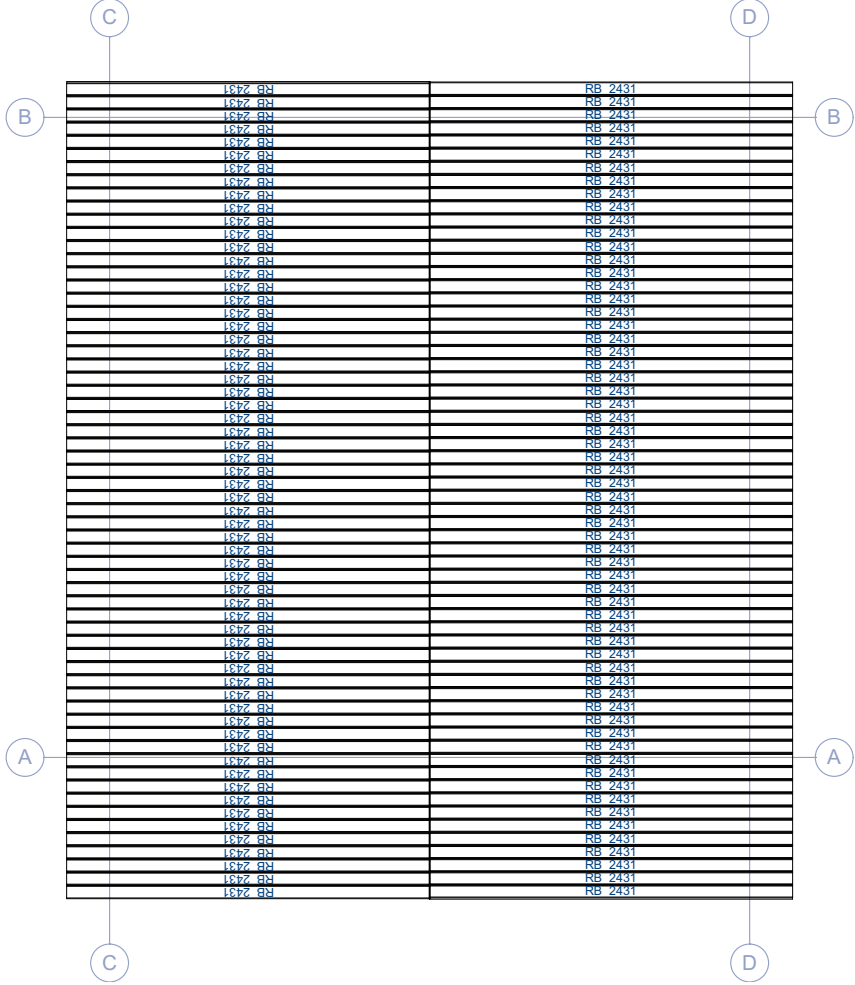
## Floor boards

1:50

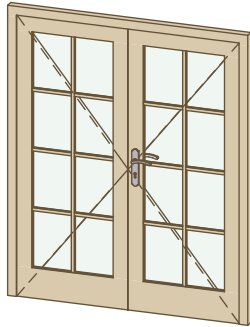




## Roof boards

1:50



Thickness:	Project name:	Project ID:	Year:	Page:
68	Devon 4,5x4,5		2023	5

Windows and doors list							
Type-quality	Barcode	Wall Thickness	W x H Size	Orientation	Glazing	Quantity	3D Axonometry
Door - Premium	PG192160-3	68	1 600×1 918	R	100%, double glazed, safety (toughened) glass	1	
Window - Premium plus	P+G14370	68	700×1 430	L	Double glazed, safety (toughened) glass	1	
Window - Premium plus	P+G14370	68	700×1 430	R	Double glazed, safety (toughened) glass	2	

Thickness:	Project name:	Project ID:	Year:	Page:
68	Devon 4,5x4,5		2023	6