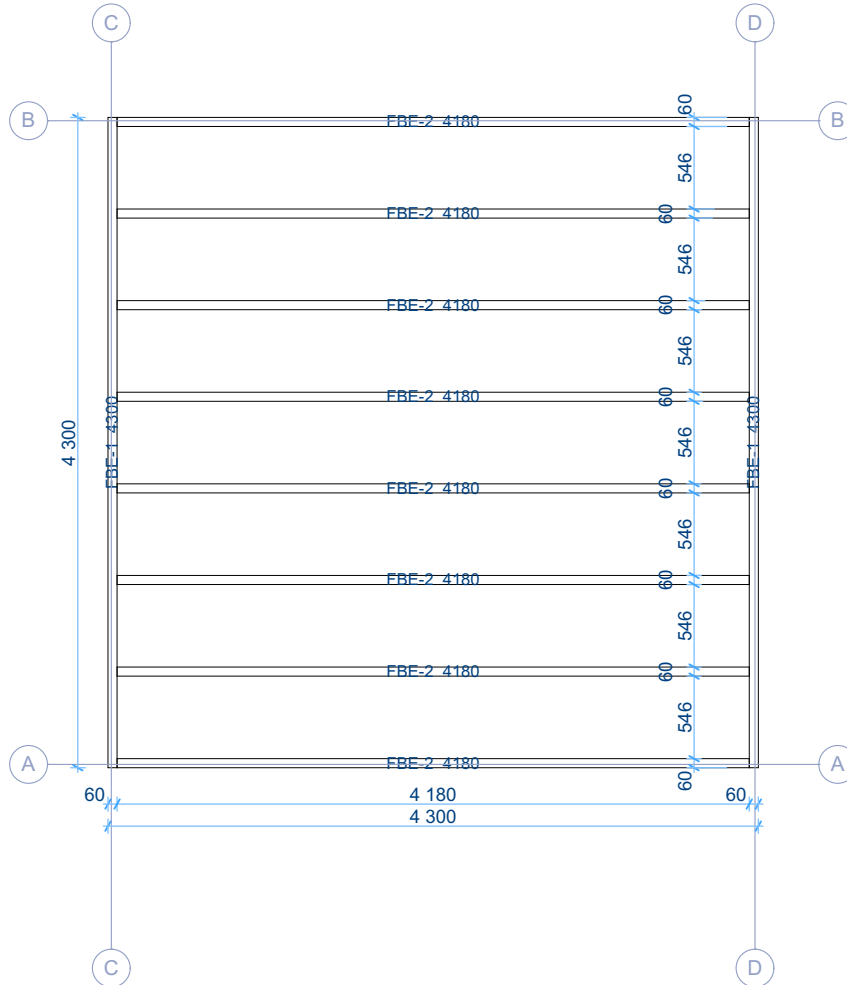




**44 Devon 4,5x4,5**

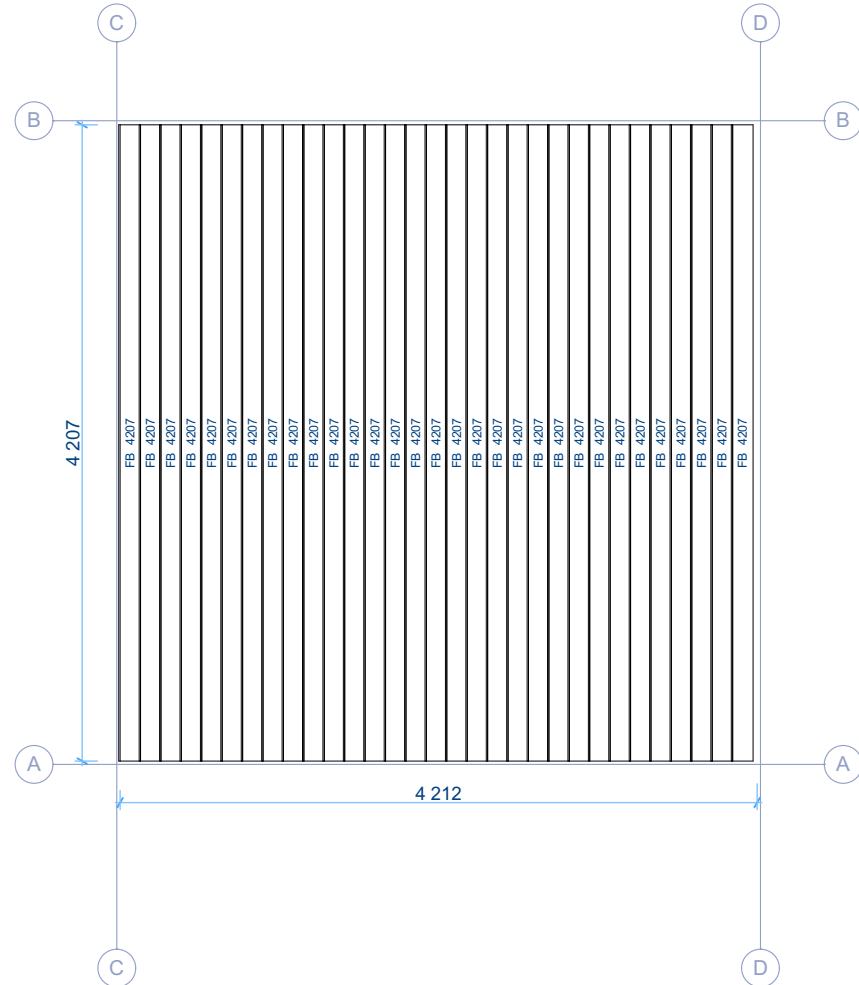
Floor bearers

1:50



Floor boards

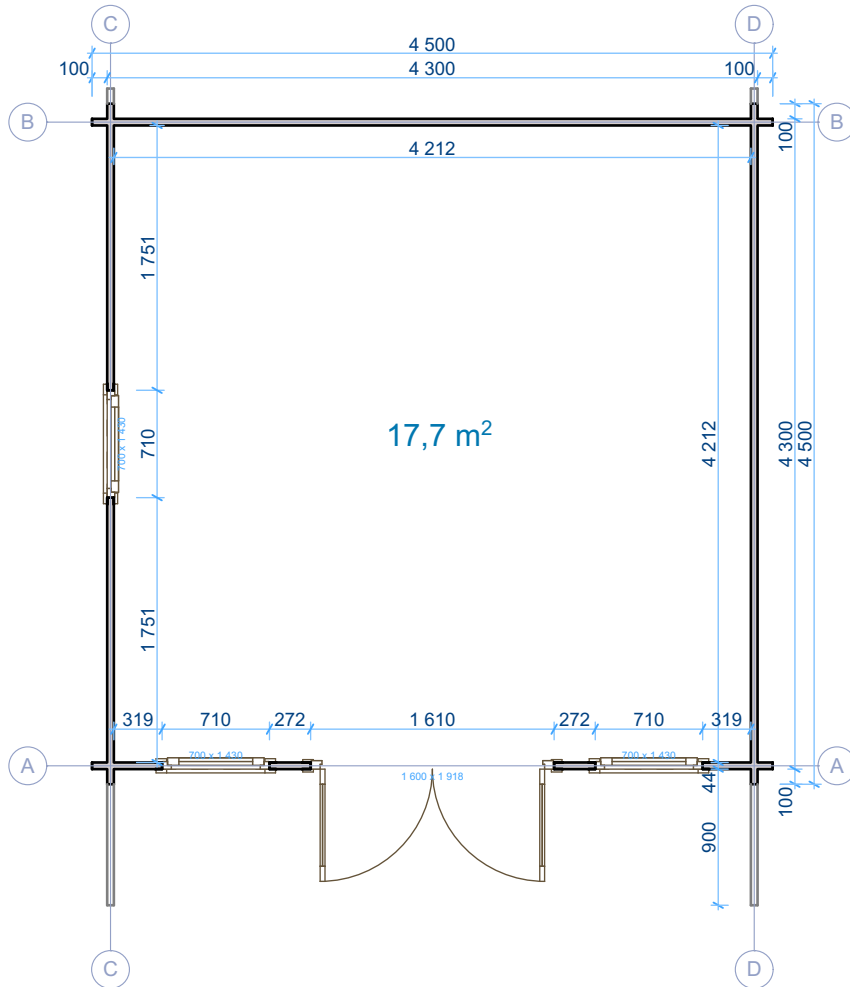
1:50



Thickness:	Project name:	Project ID:	Year:	Page:
44	Devon 4,5x4,5		2023	3

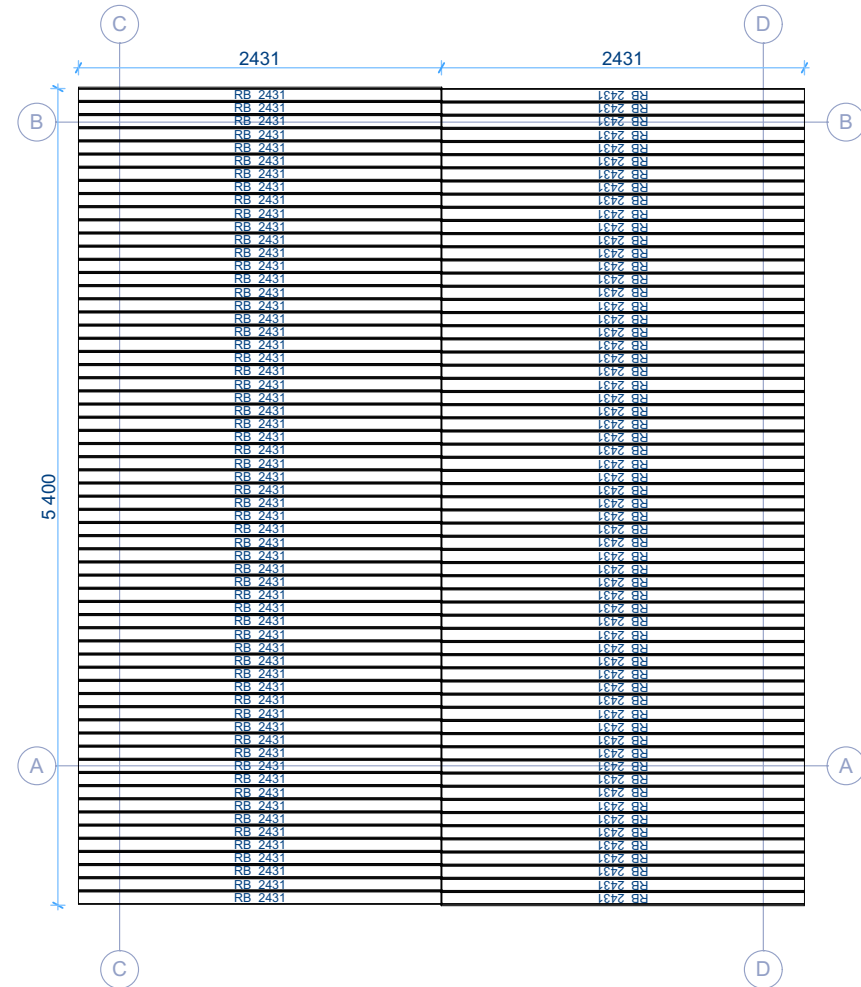
Floor plan

1:50



Roof boards

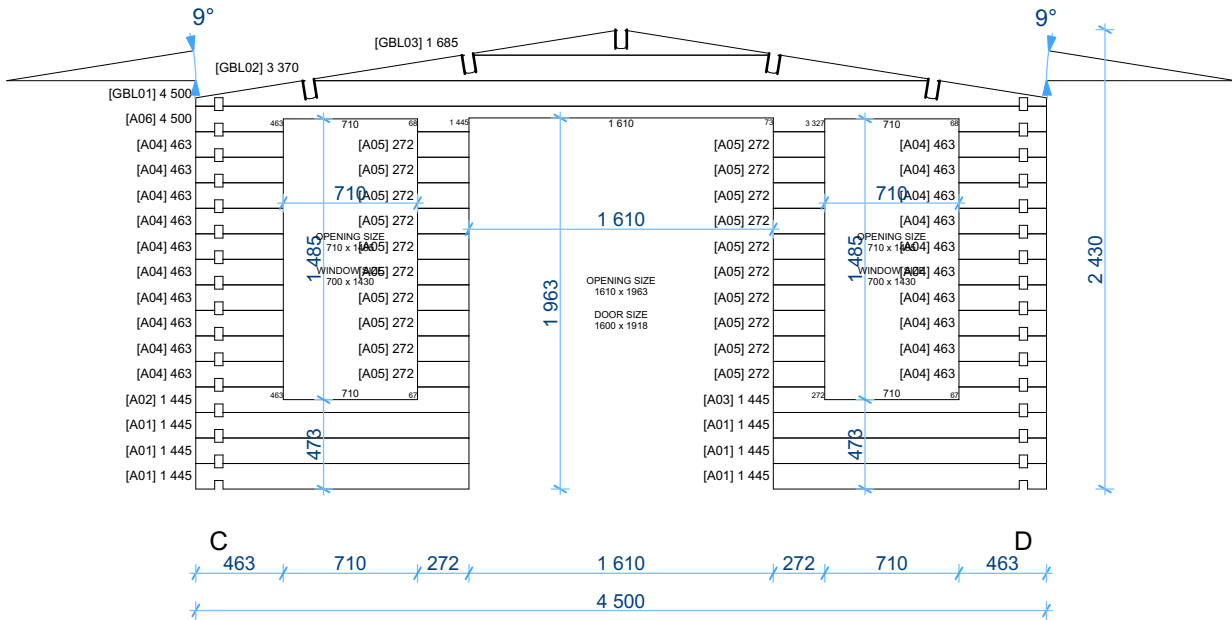
1:50



Thickness:	Project name:	Project ID:	Year:	Page:
44	Devon 4,5x4,5		2023	4

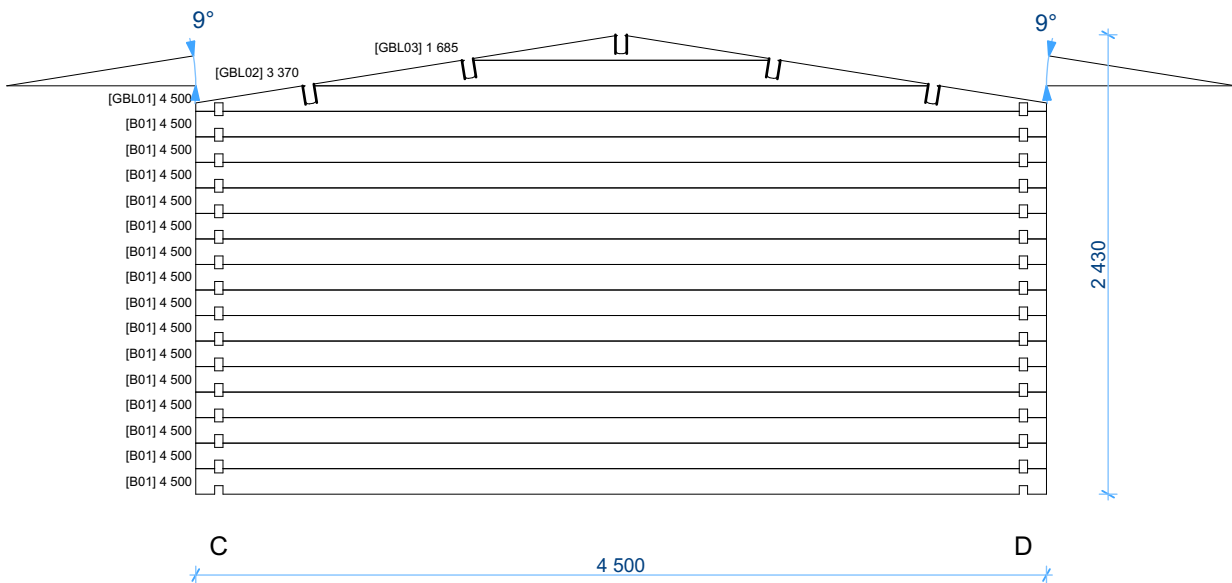
## Wall A

1:40



## Wall B

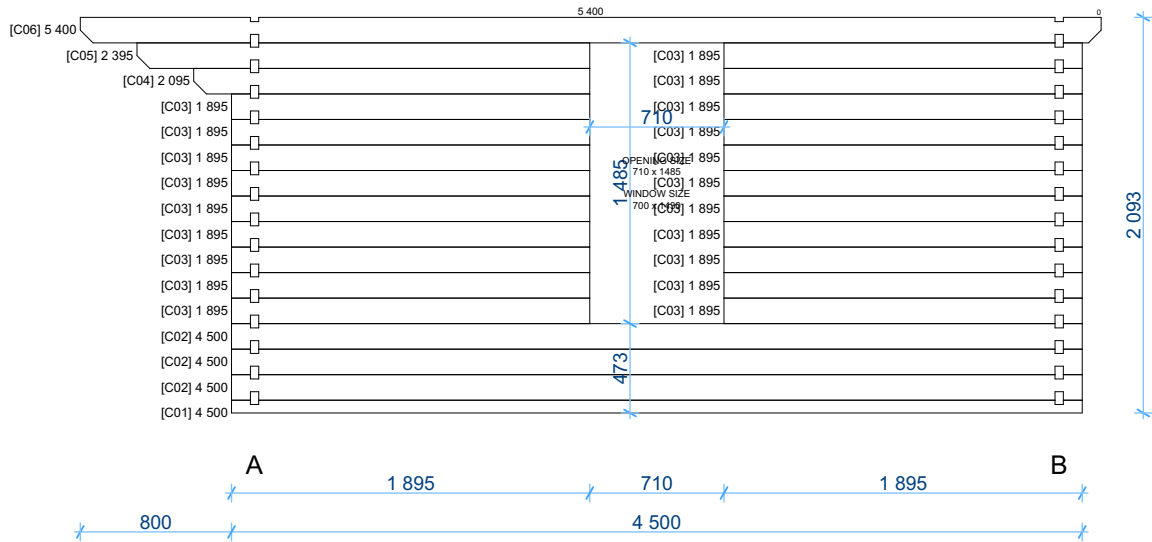
1:40



Thickness:	Project name:	Project ID:	Year:	Page:
44	Devon 4,5x4,5		2023	5

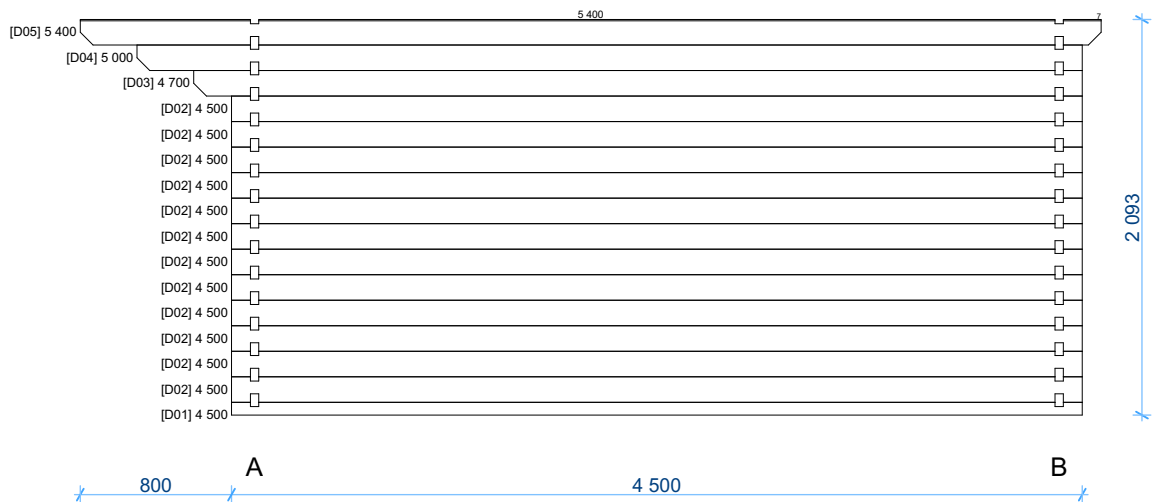
## Wall C

1:40

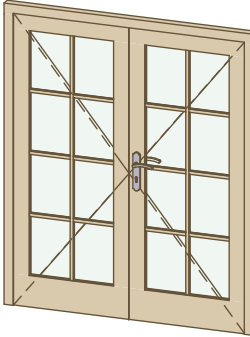




## Wall D

1:40



Thickness:	Project name:	Project ID:	Year:	Page:
44	Devon 4,5x4,5		2023	6

Windows and doors list							
Type-quality	Barcode	Wall Thickness	W x H Size	Orientation	Glazing	Quantity	3D Axonometry
Door - Premium	PG192160-3	44	1 600×1 918	R	100%, double glazed, safety (toughened) glass	1	
Window - Premium plus	P+G14370	44	700×1 430	L	Double glazed, safety (toughened) glass	1	
Window - Premium plus	P+G14370	44	700×1 430	R	Double glazed, safety (toughened) glass	2	

Thickness:	Project name:	Project ID:	Year:	Page:
44	Devon 4,5x4,5		2023	7