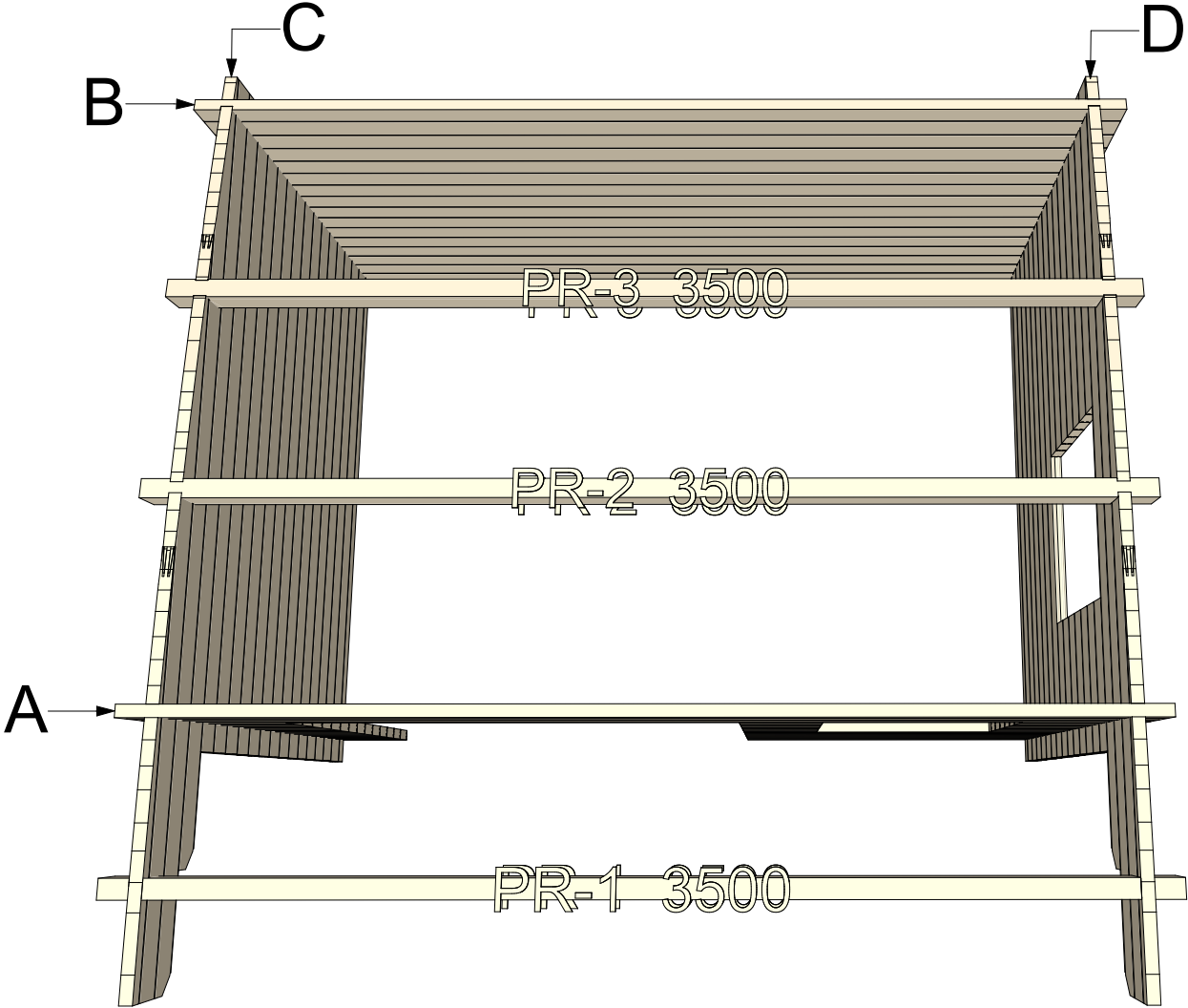




44 Cobham 3,5x2,5

Walls and purlins positions

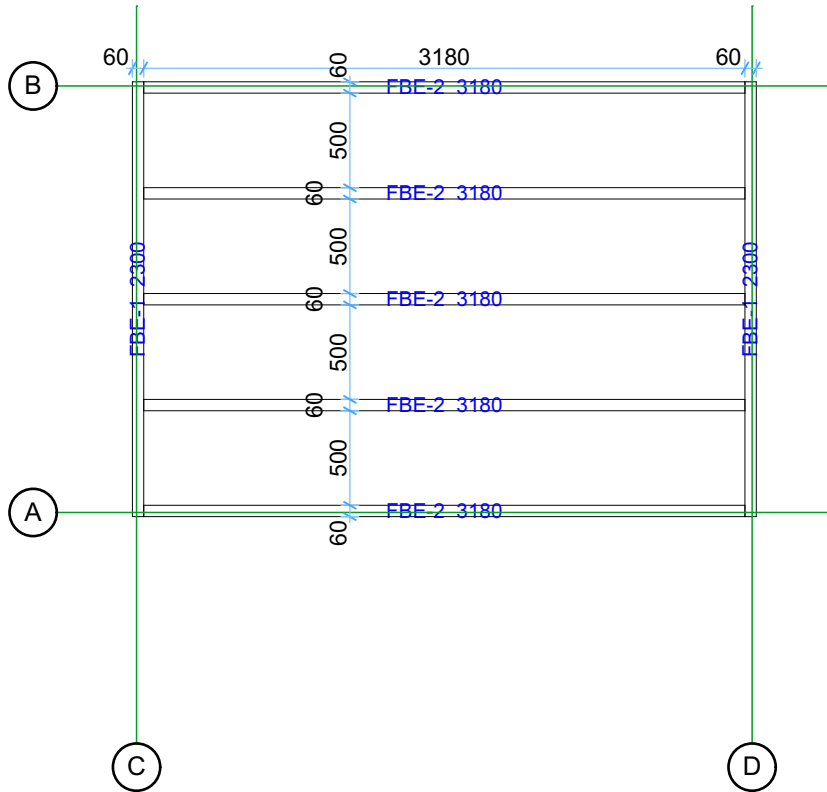
1:150



Thickness:	Project name:	Project ID:	Year:	Page:
44	Cobham	3,5x2,5	2021	2

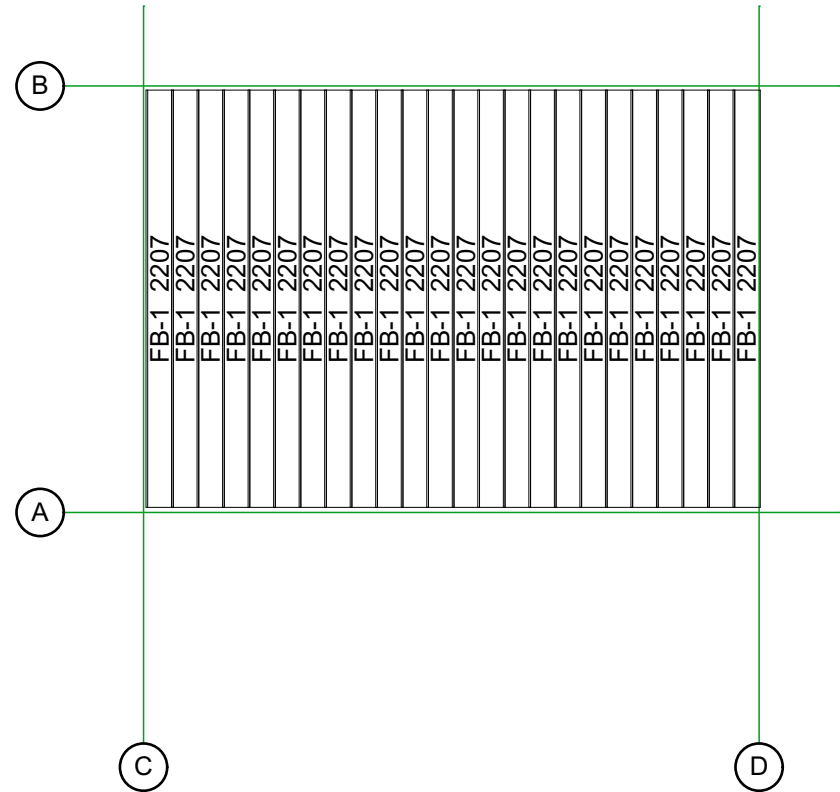
Floor bearers

1:40



Floor boards

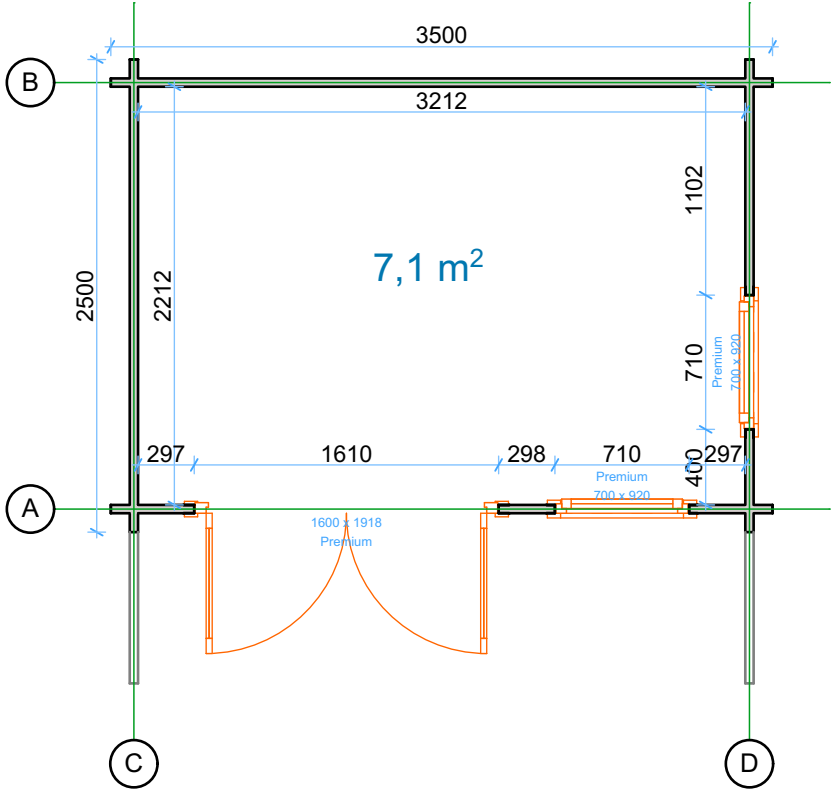
1:40



Thickness:	Project name:	Project ID:	Year:	Page:
44	Cobham	3,5x2,5	2021	3

Ground floor plan

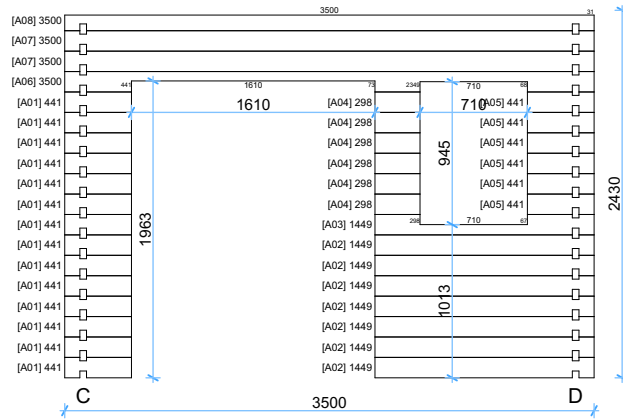
1:40



Thickness:	Project name:	Project ID:	Year:	Page:
44	Cobham	3,5x2,5	2021	4

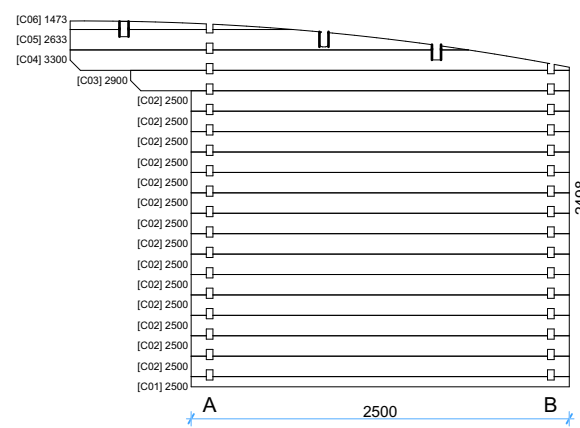
Wall A

1:50



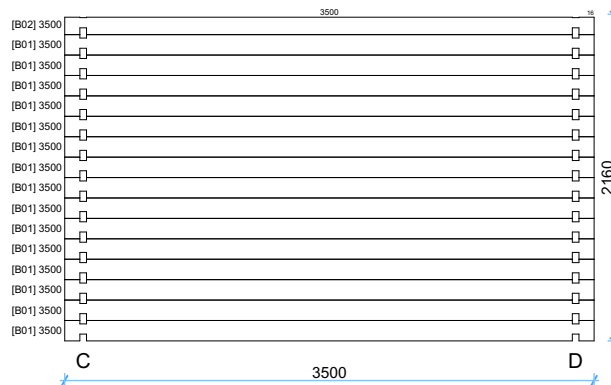
Wall C

1:50



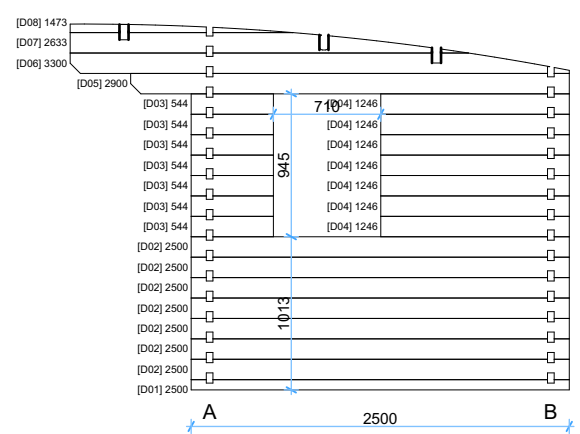
Wall B

1:50

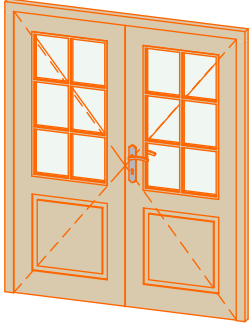


Wall D

1:50



Thickness:	Project name:	Project ID:	Year:	Page:
44	Cobham	3,5x2,5	2021	5

Windows and doors list					
Type-quality	W x H Size	Orientation	Glazing	Quantity	3D Axonometry
Door - Premium	1600×1918	R	50% glass, double glazed, safety (toughened) glass	1	
Window - Premium	700×920	R	Double glazed, safety (toughened) glass	2	