

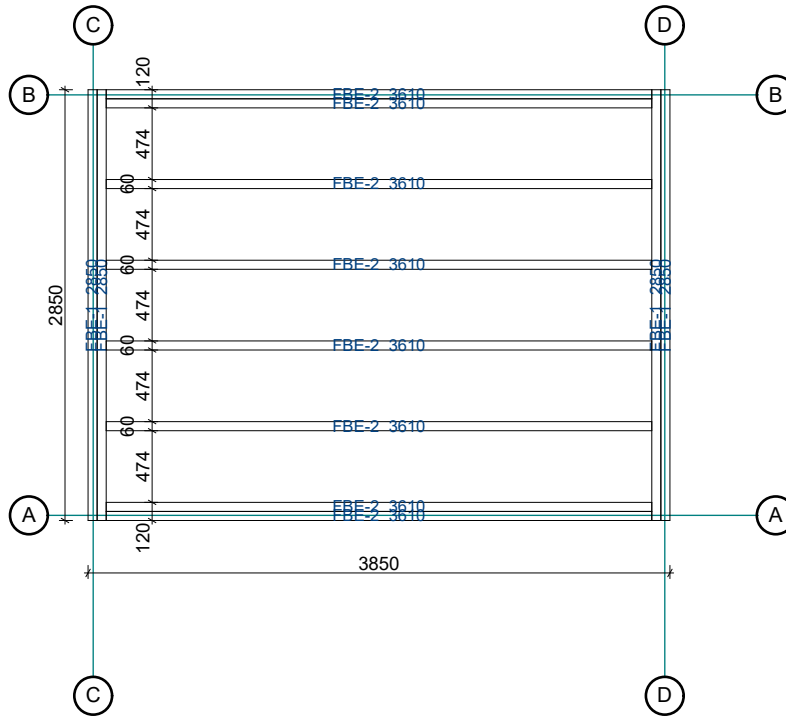


68mm Chertsey 4x3

Architect name:	Thickness:	Type:	Project name:	Project No:	Year:	Page:
Gytis Buda	68mm	Standard	Chertsey 4x3		2019	1

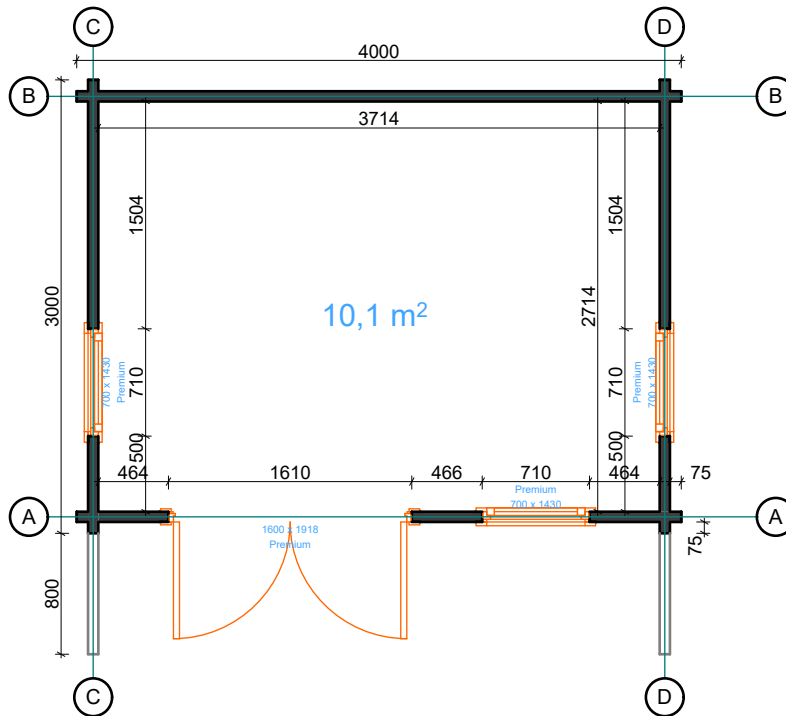
Floor bearers plan

1:50



Ground floor plan

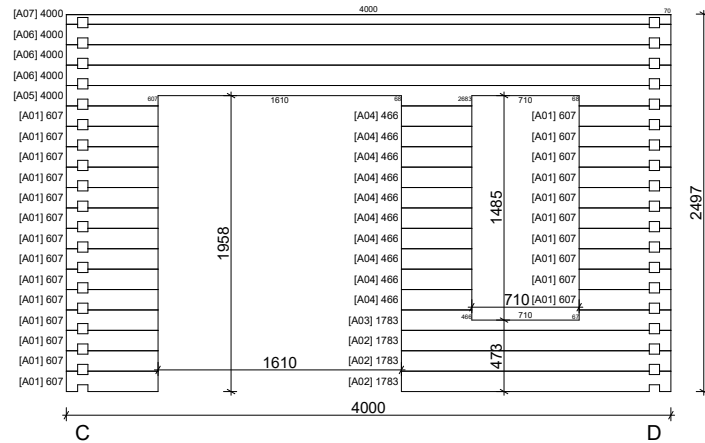
1:50



Architect name:	Thickness:	Type:	Project name:	Project No:	Year:	Page:
Gytis Buda	68mm	Standard	Chertsey 4x3		2019	2

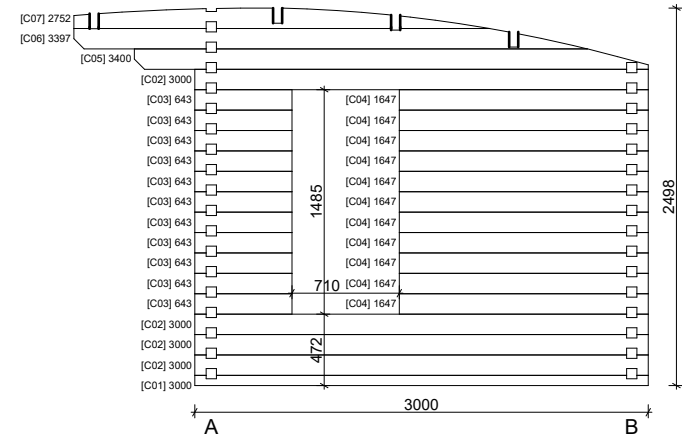
Wall A

1:50



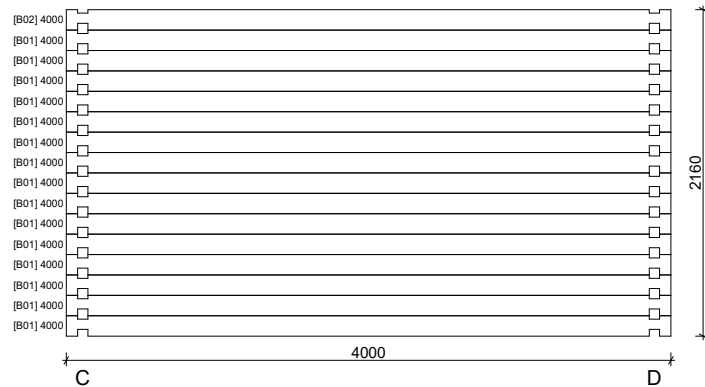
Wall C

1:50



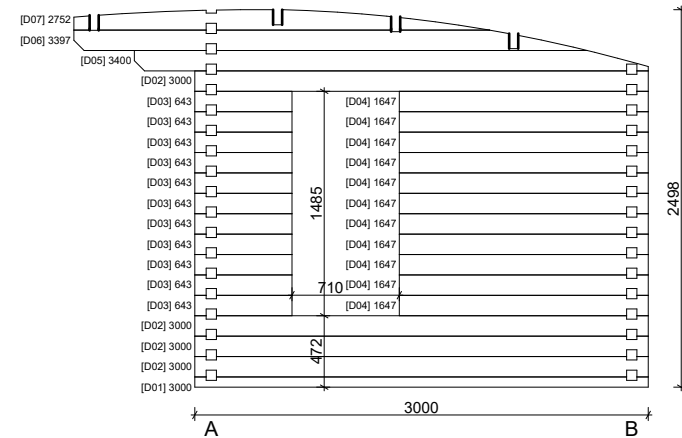
Wall B

1:50



Wall D

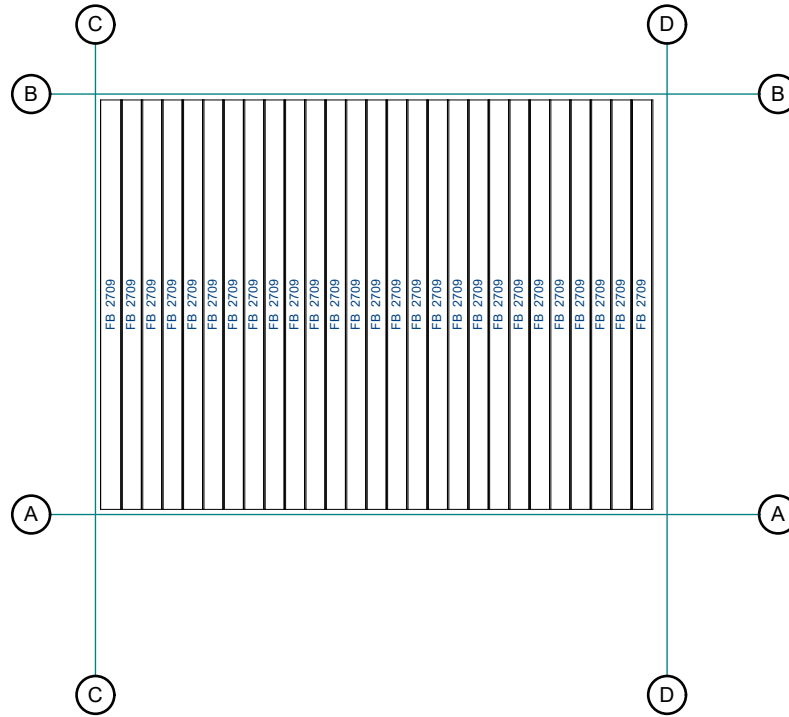
1:50



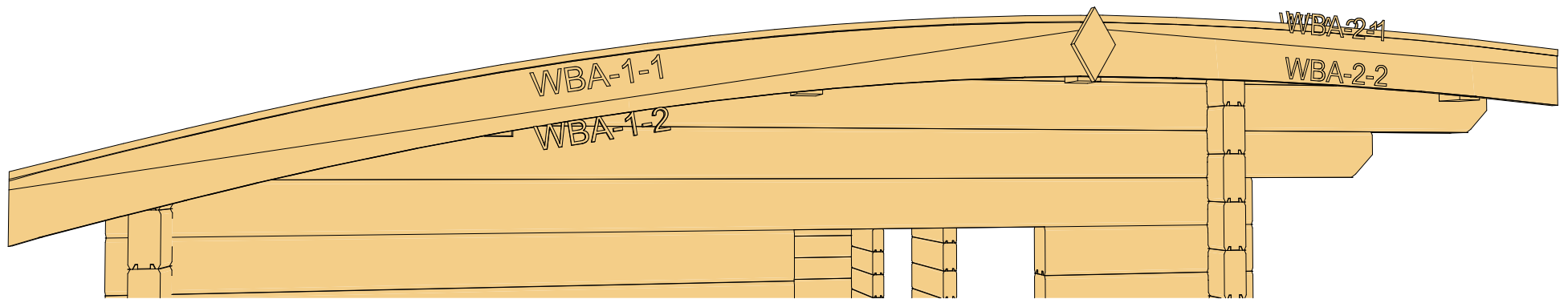
Architect name:	Thickness:	Type:	Project name:	Project No:	Year:	Page:
Gytis Buda	68mm	Standard	Chertsey 4x3		2019	3

Floor boards

1:50

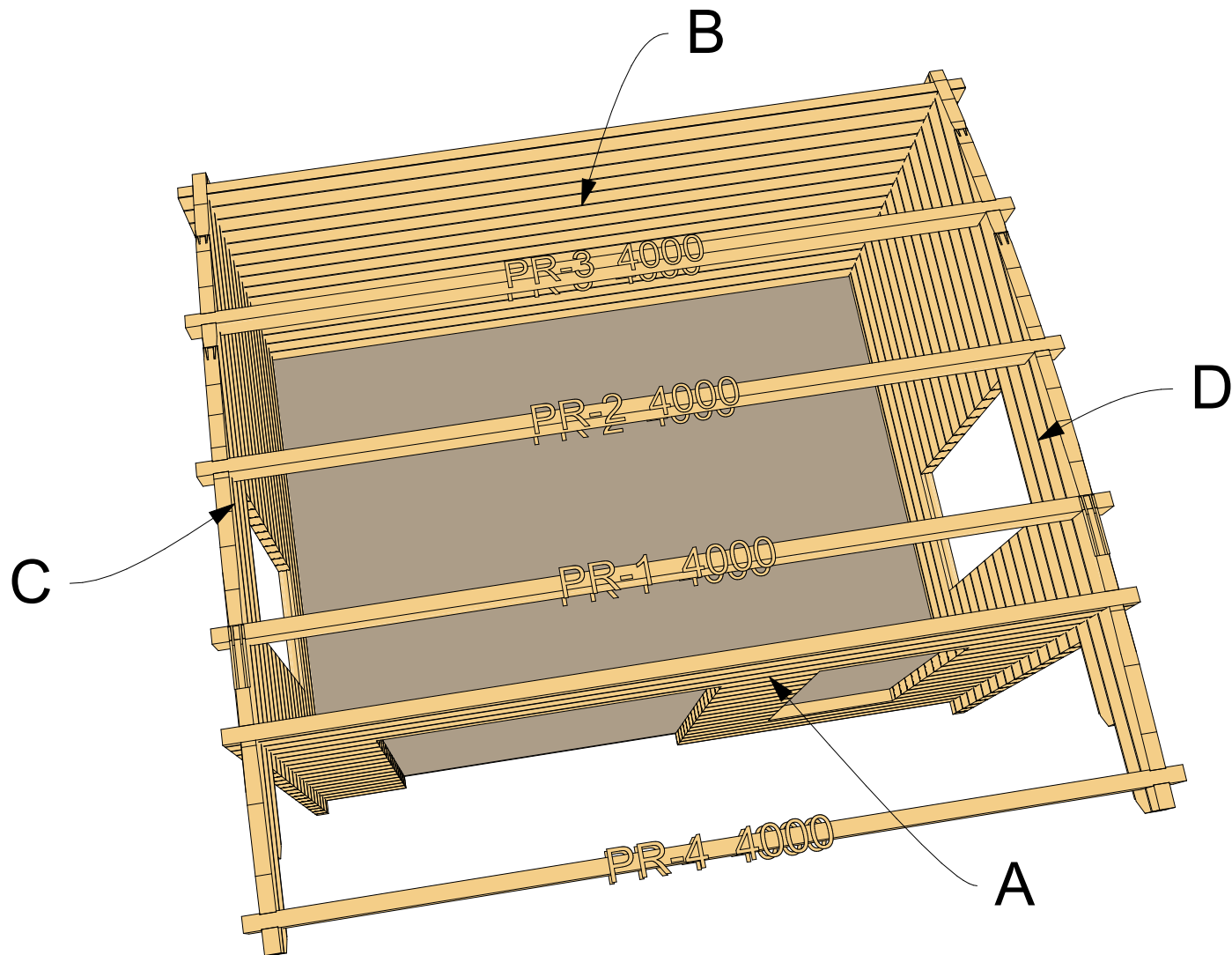


Windboards installation



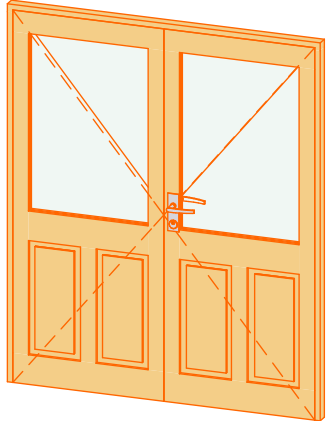
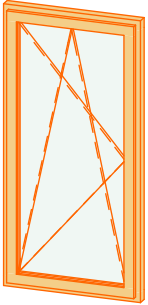
Architect name:	Thickness:	Type:	Project name:	Project No:	Year:	Page:
Gytis Buda	68mm	Standard	Chertsey 4x3		2019	4

Walls and purlins positions



Architect name:	Thickness:	Type:	Project name:	Project No:	Year:	Page:
Gytis Buda	68mm	Standard	Chertsey 4x3		2019	5

68mm Chertsey 4x3 windows and doors list

Type	Quality/notes	Nominal W x H Size	Orient ation	Glazing	Qty	3D Front Axonometry
Door	Premium	1600x1918	R	50% glass, Double glazed, safety (toughened) glass	1	
Window	Premium	700x1430	L	Double glazed, safety (toughened) glass	2	
Window	Premium	700x1430	R	Double glazed, safety (toughened) glass	1	