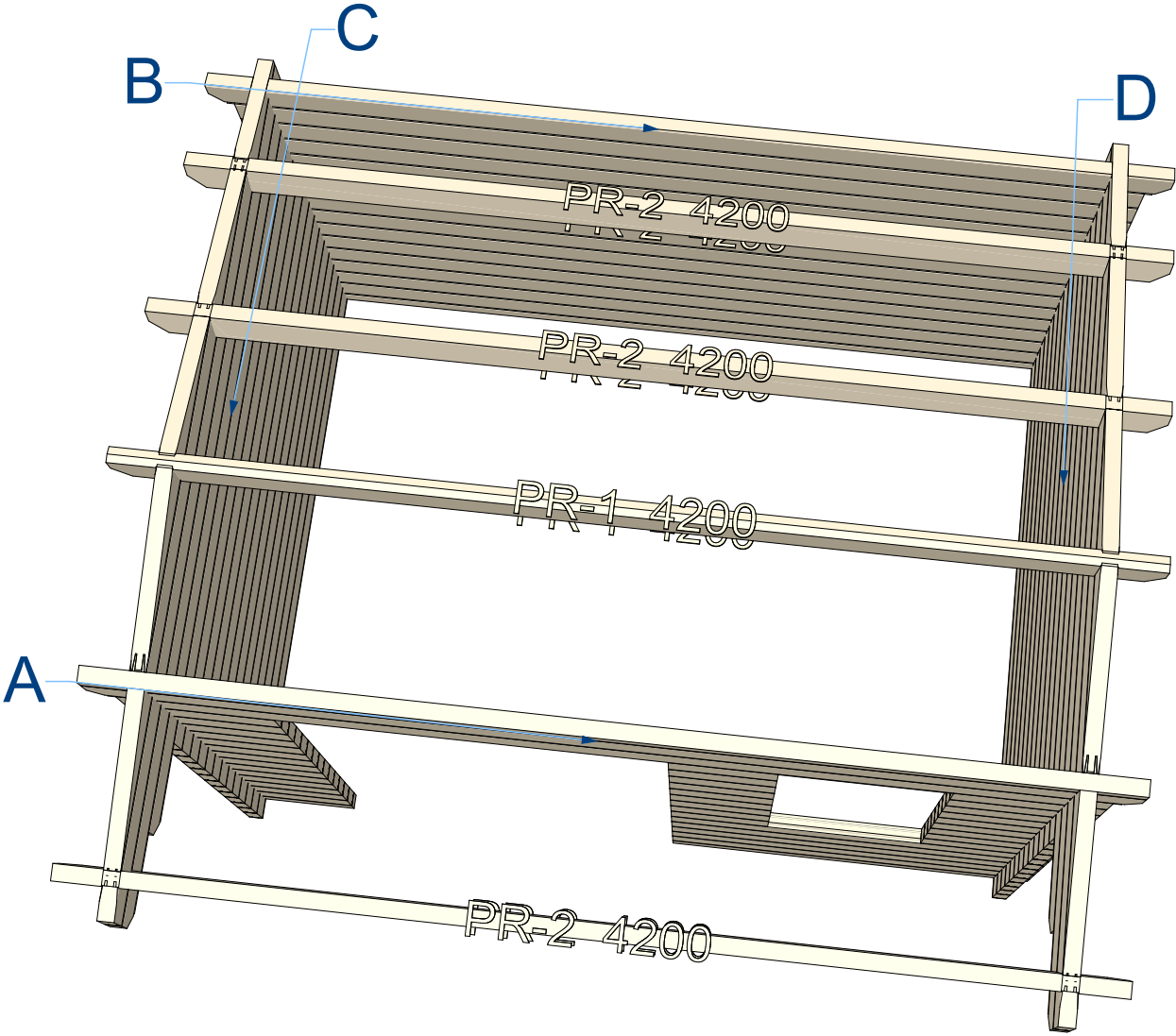




**68 Cheltenham 4x3**

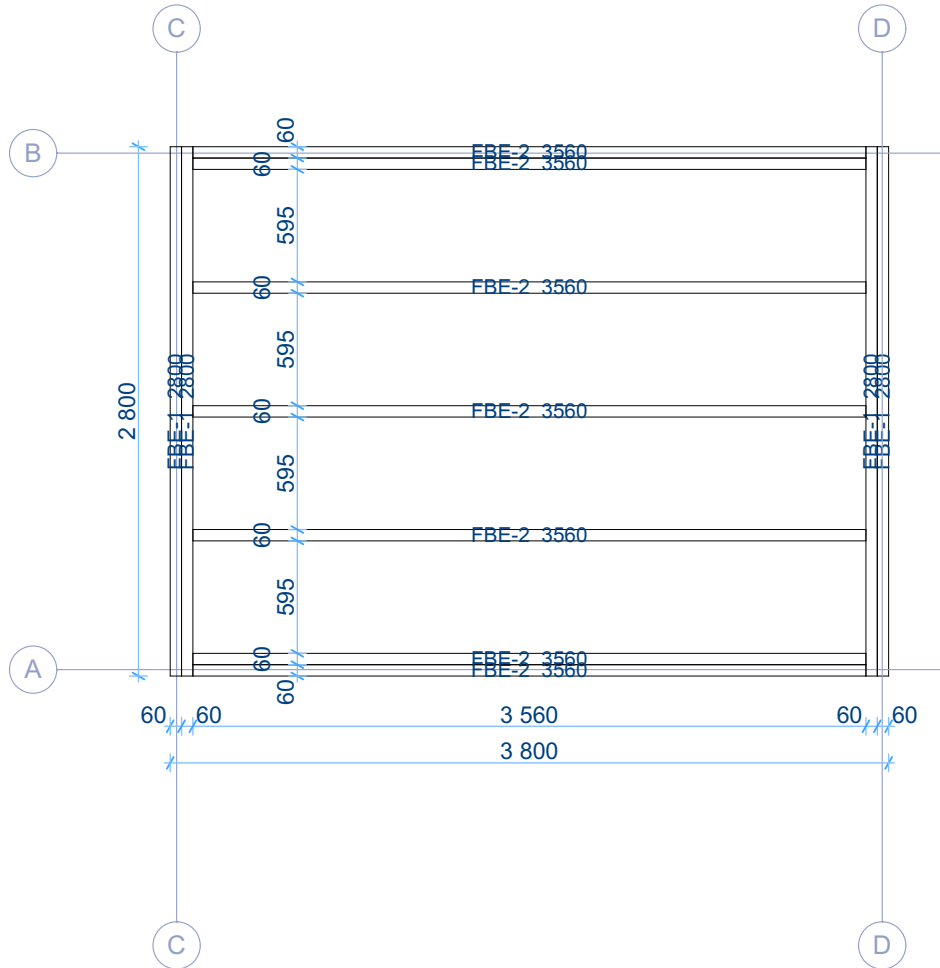
Walls and purlins positions



Thickness:	Project name:	Project ID:	Year:	Page:
68	Cheltenham	4x3	2023	2

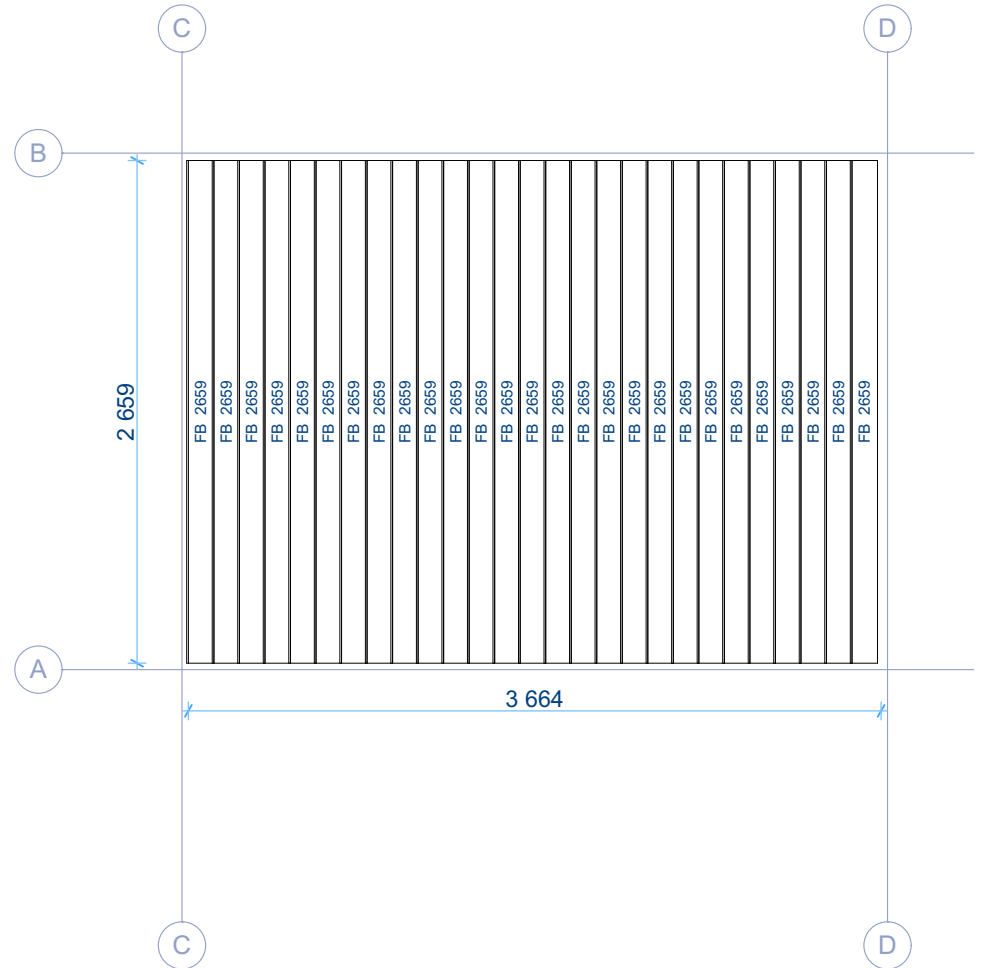
Floor bearers plan

1:40



Floor boards plan

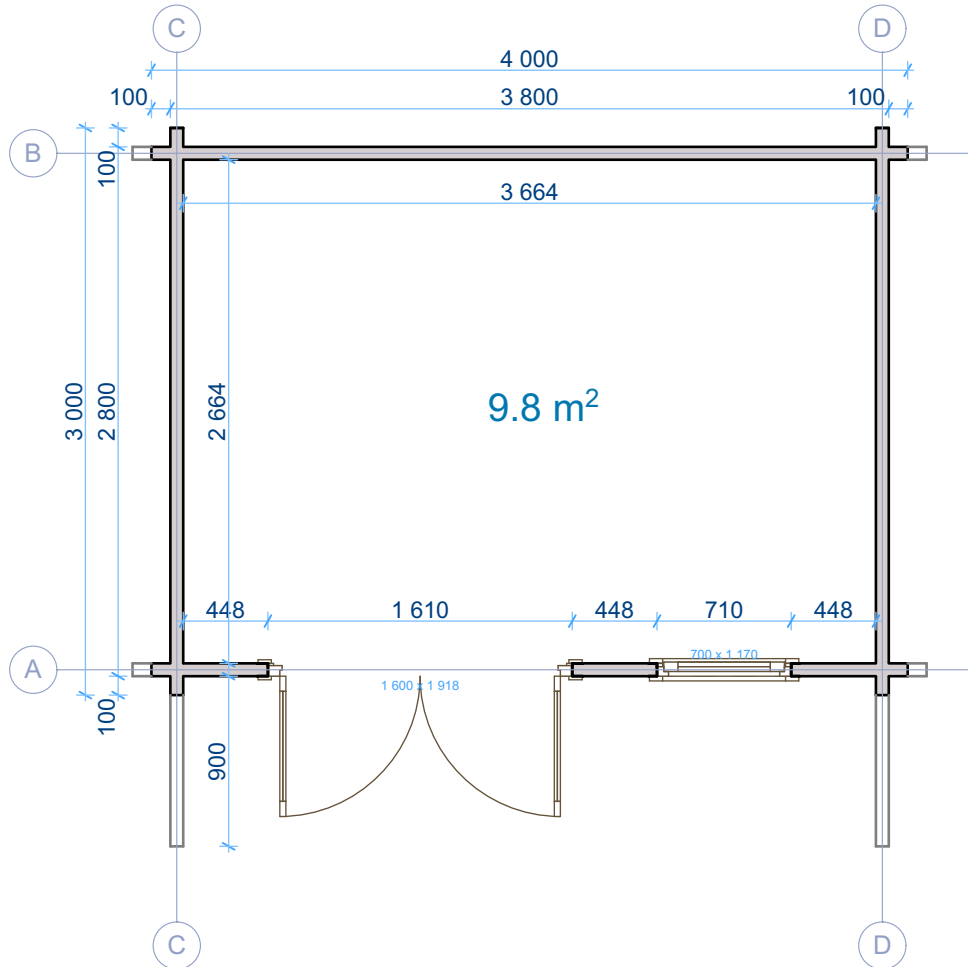
1:40



Thickness:	Project name:	Project ID:	Year:	Page:
68	Cheltenham	4x3	2023	3

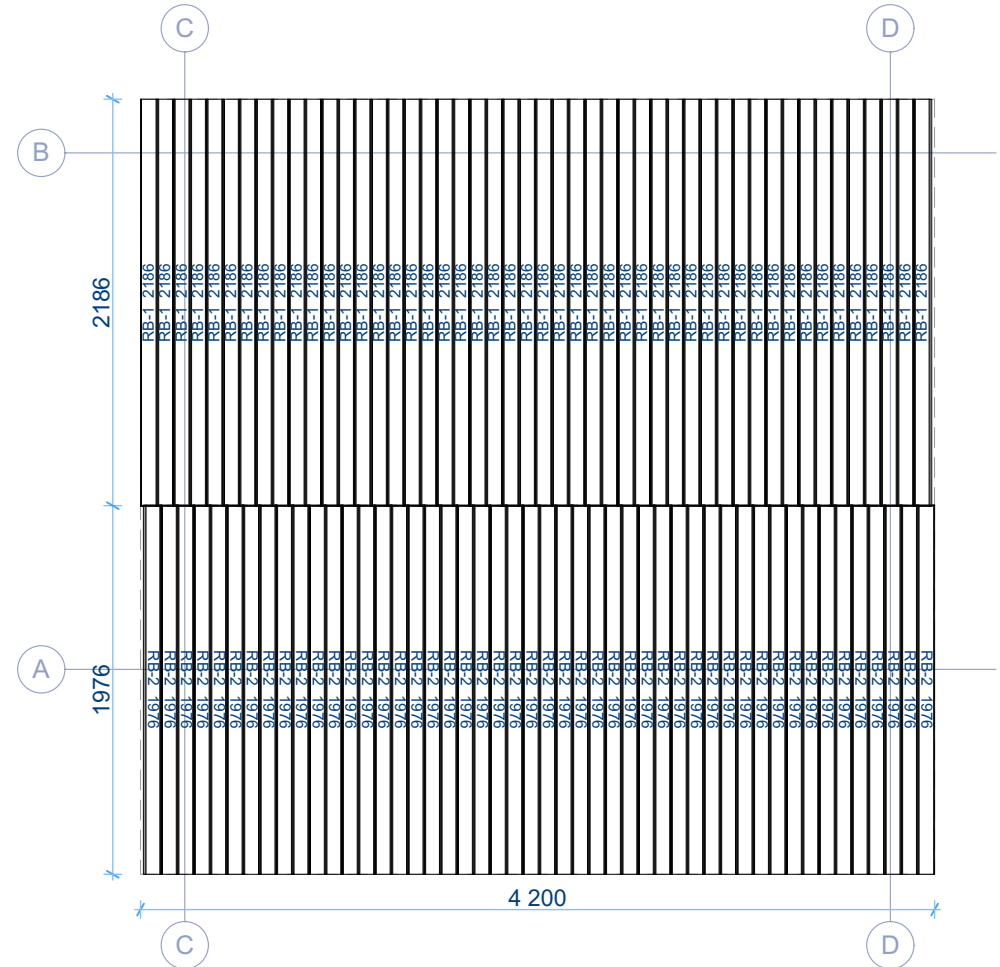
Ground floor plan

1:40



Roof boards

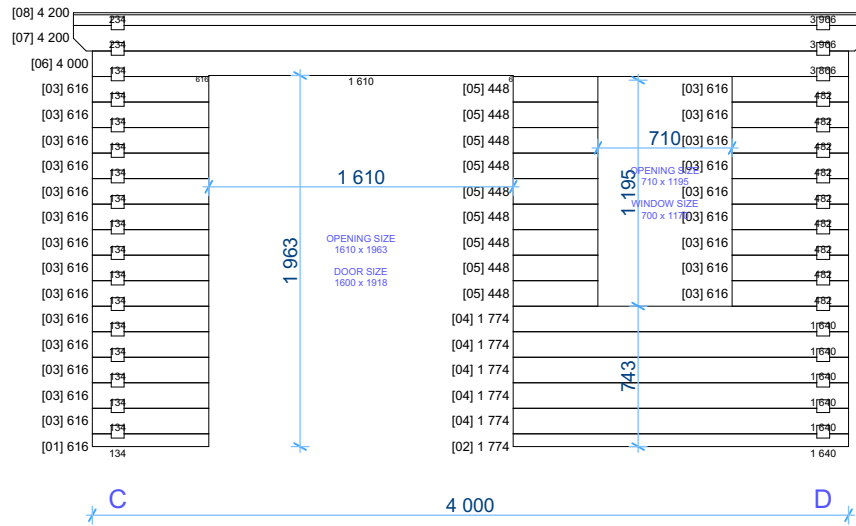
1:40



Thickness:	Project name:	Project ID:	Year:	Page:
68	Cheltenham	4x3	2023	4

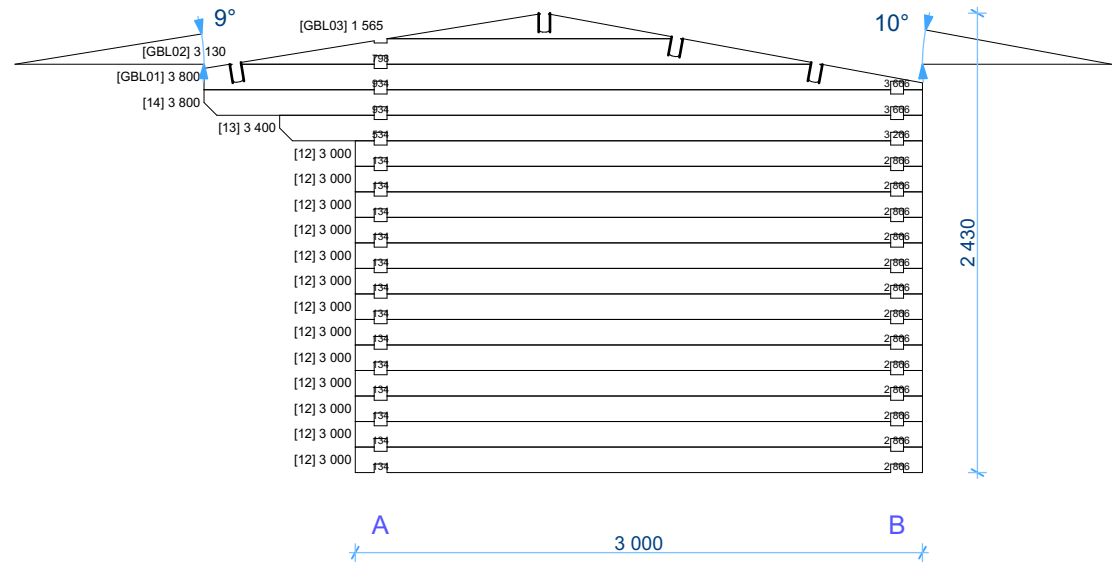
## Wall A

1:40



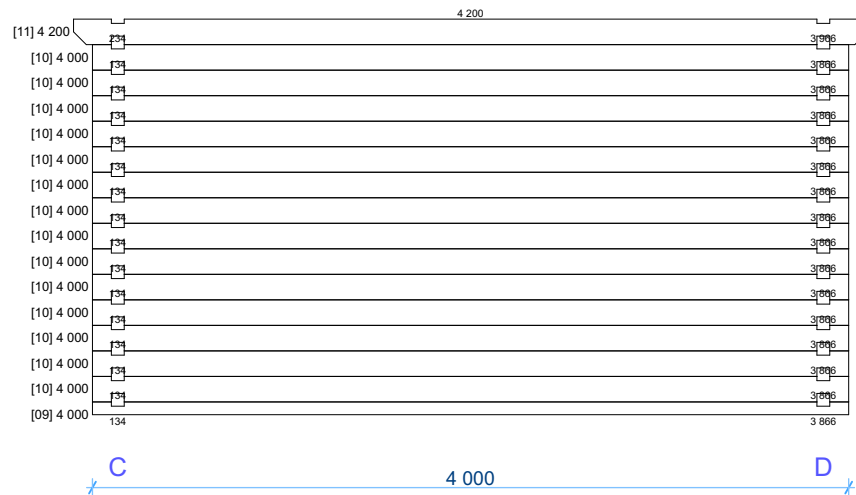
## Wall C

1:40



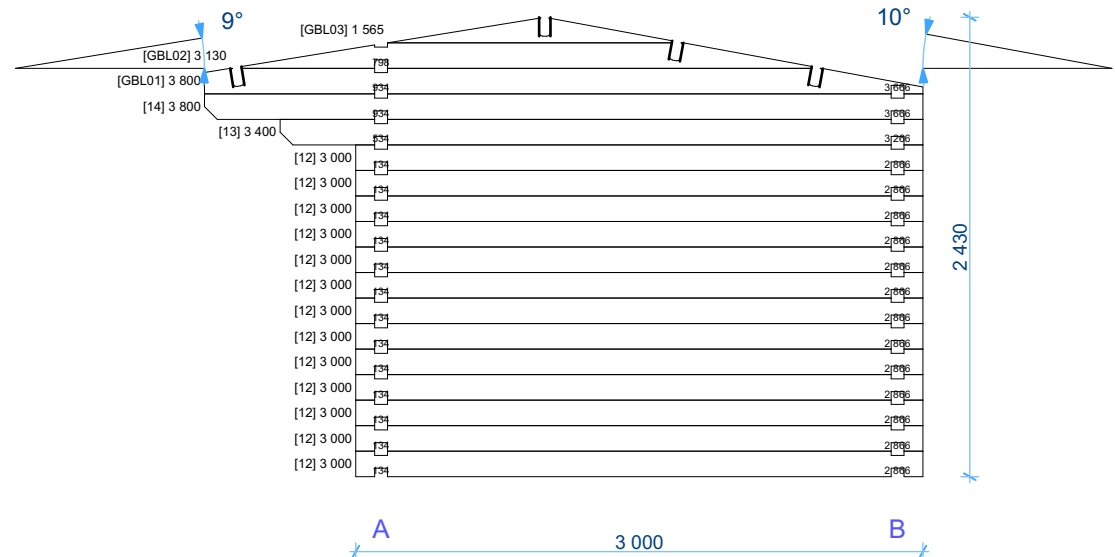
## Wall B

1:40

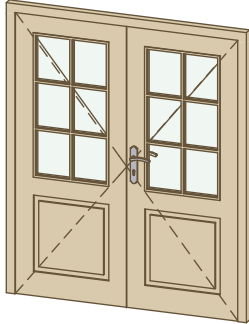



## Wall D

1:40



Thickness:	Project name:	Project ID:	Year:	Page:
68	Cheltenham	4x3	2023	5

Windows and doors list							
Type-quality	Barcode	Wall Thickness	W x H Size	Orientation	Glazing	Quantity	3D Axonometry
Door - Premium	PP198160-2	68	1 600×1 918	R	50% glass, double glazed, safety (toughened) glass	1	
Window - Premium plus	P+P11770	68	700×1 170	L	Double glazed, safety (toughened) glass	1	

Thickness:	Project name:	Project ID:	Year:	Page:
68	Cheltenham	4x3	2023	6