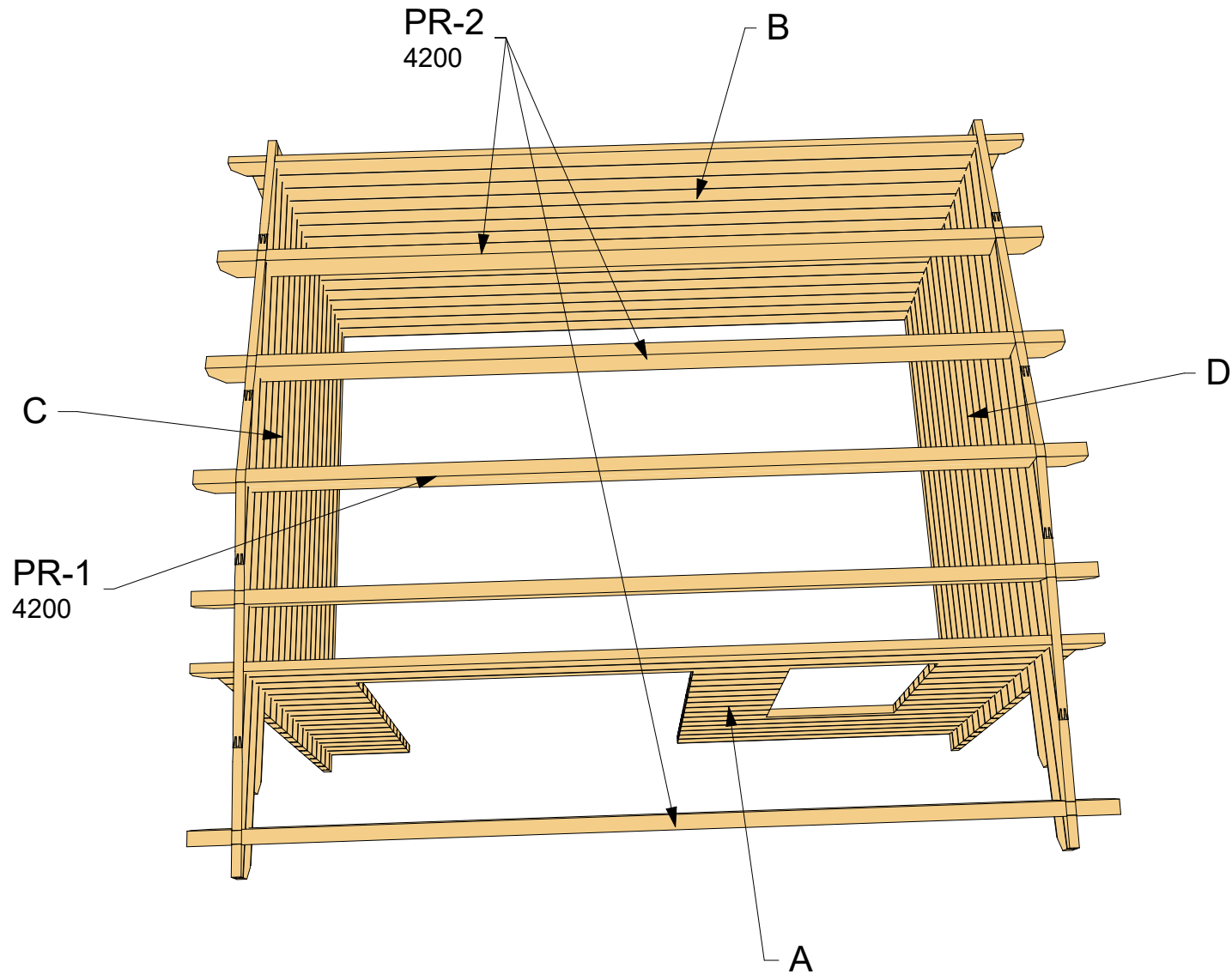




44mm Cheltenham 4x3

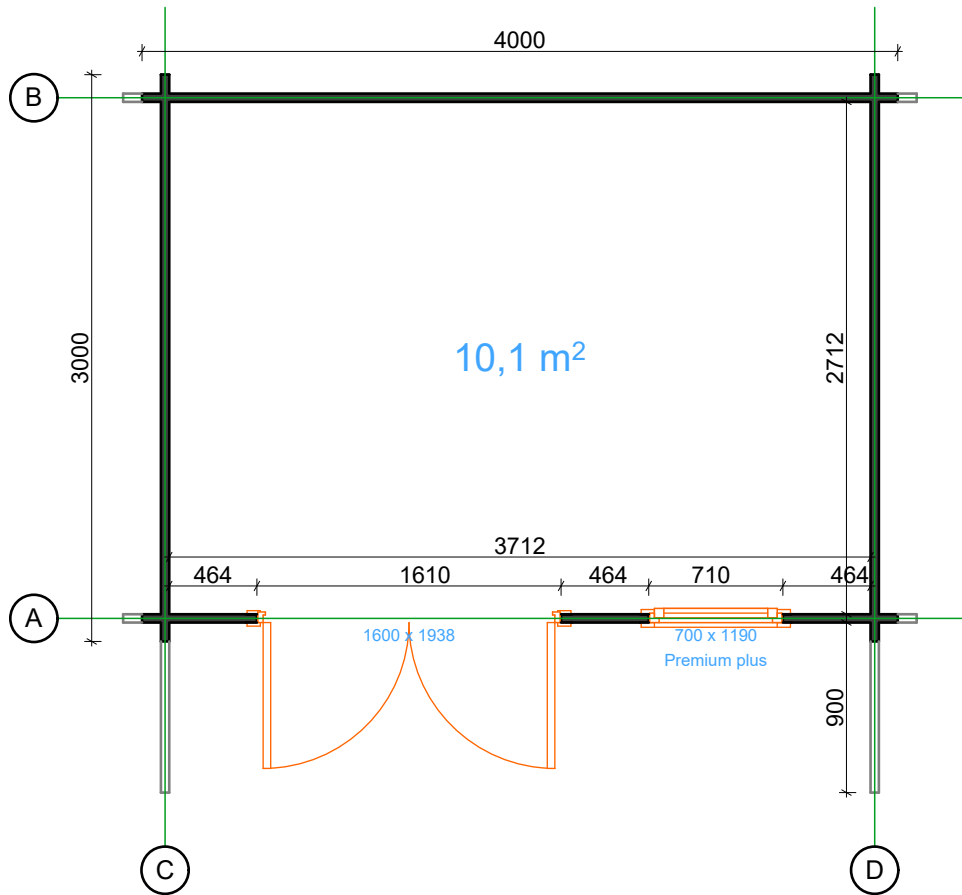
Architect name:	Thickness:	Type:	Project name:	Project No:	Year:	Page:
Gytis Buda	44mm	Standard	CHELTENHAM 4x3	-	2018	1 of 5

Walls and purlins positions

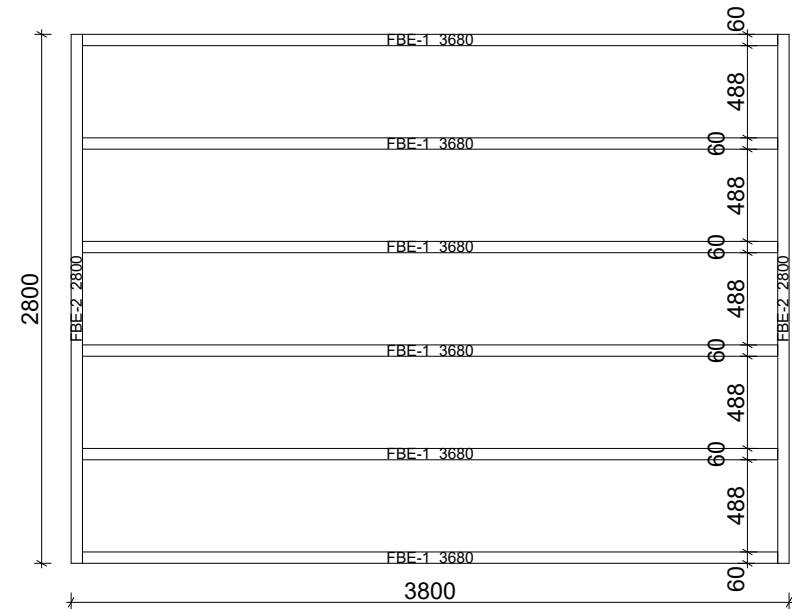


Architect name:	Thickness:	Type:	Project name:	Project No:	Year:	Page:
Gytis Buda	44mm	Standard	CHELTENHAM 4x3	-	2018	2 of 5

Floor plan 1:40

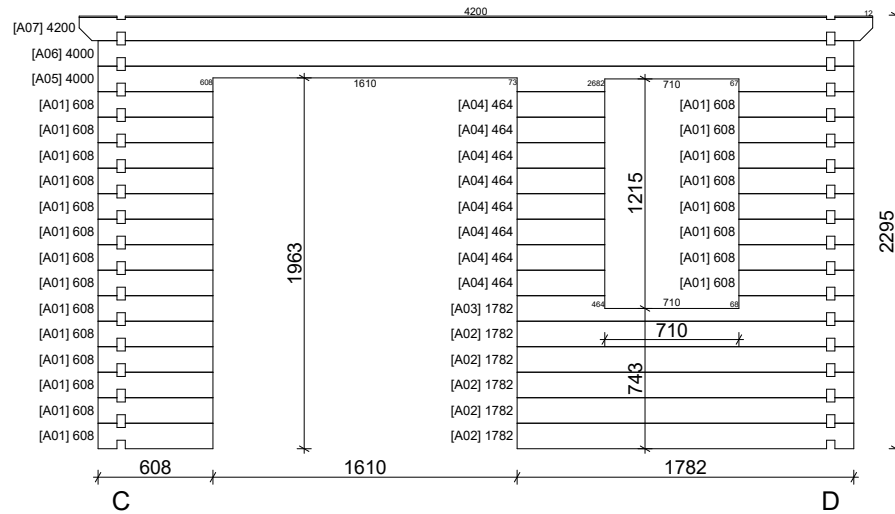


Floor bearers 1:40

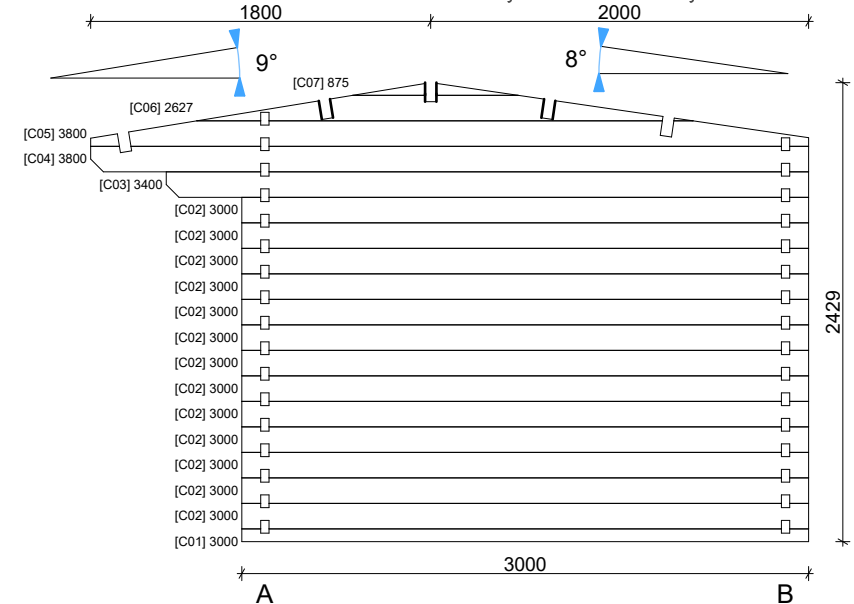


Architect name:	Thickness:	Type:	Project name:	Project No:	Year:	Page:
Gytis Buda	44mm	Standard	CHELTENHAM 4x3	-	2018	3 of 5

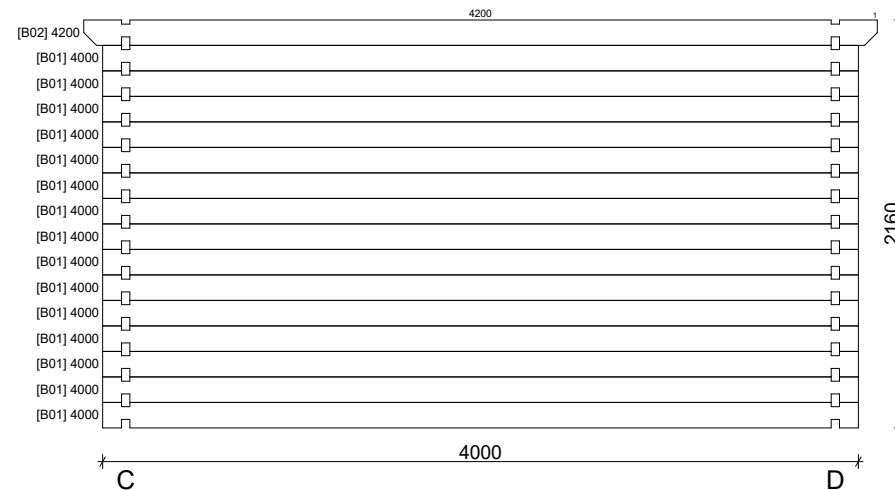
Wall A



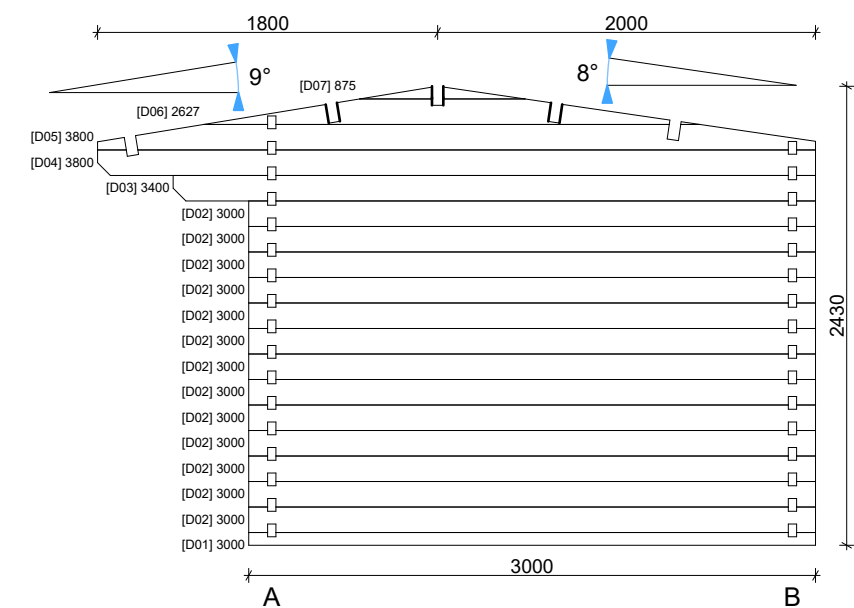
Wall C



Wall B

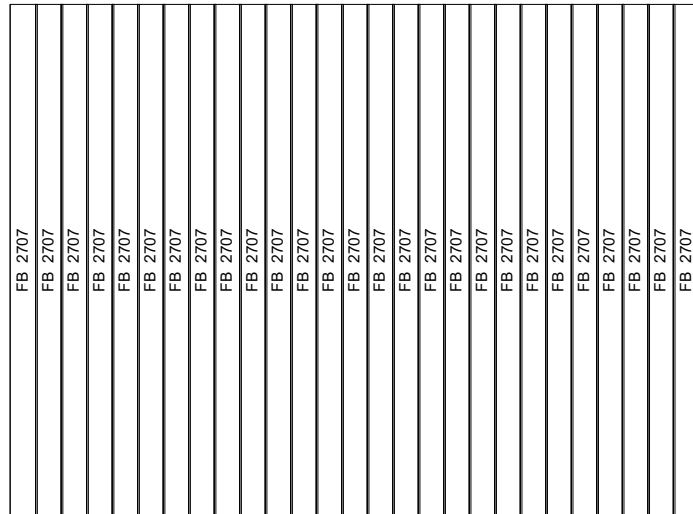


Wall D

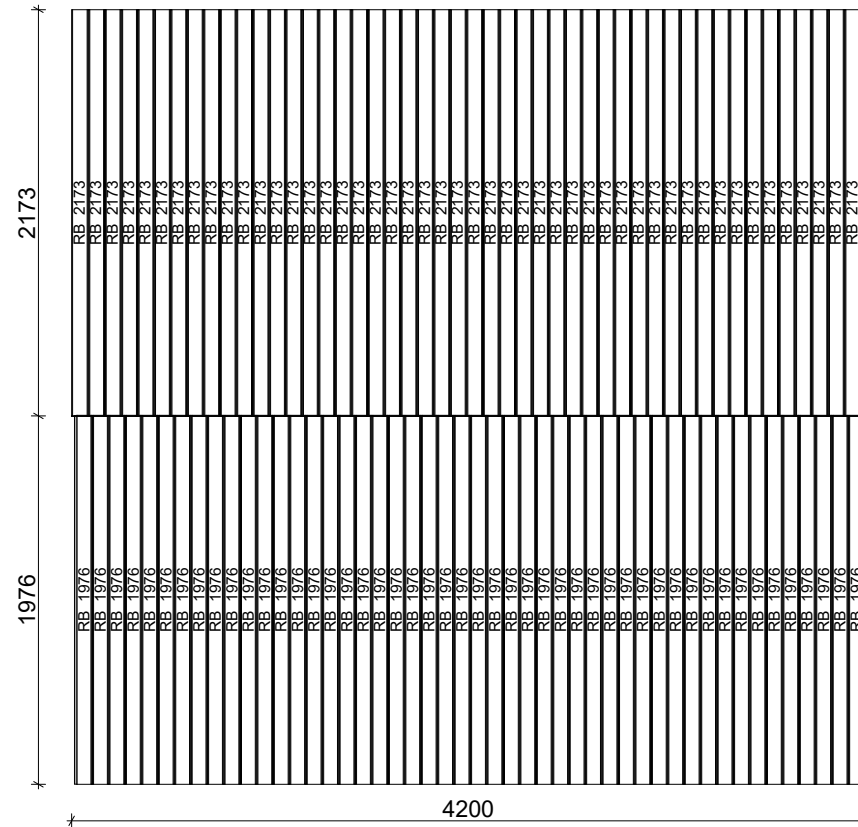


Architect name:	Thickness:	Type:	Project name:	Project No:	Year:	Page:
Gytis Buda	44mm	Standard	CHELTENHAM 4x3	-	2018	4 of 5

Floor boards



Roof boards



Architect name:	Thickness:	Type:	Project name:	Project No:	Year:	Page:
Gytis Buda	44mm	Standard	CHELTENHAM 4x3	-	2018	5 of 5