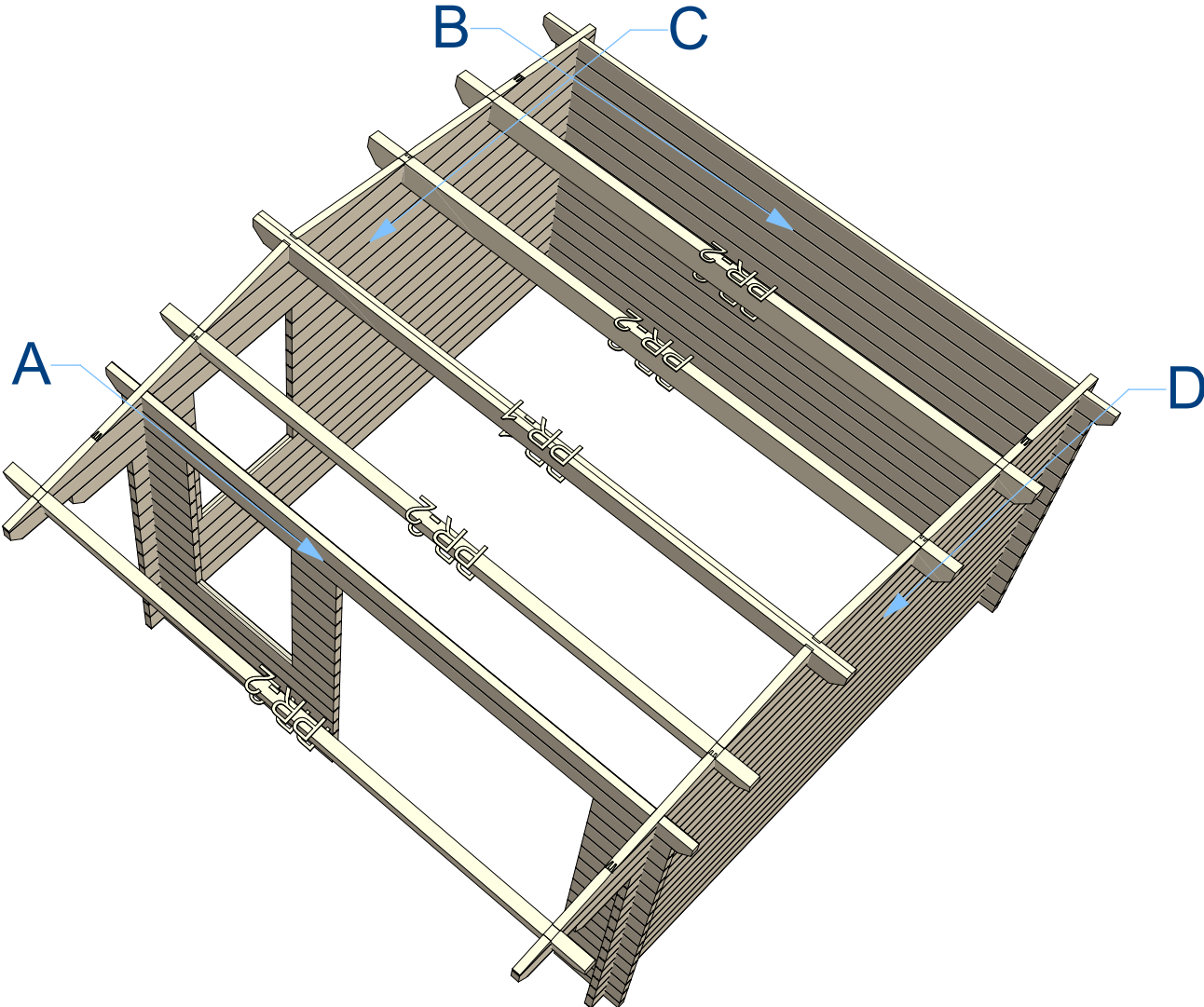




44 Cambridge 3,5x3,5

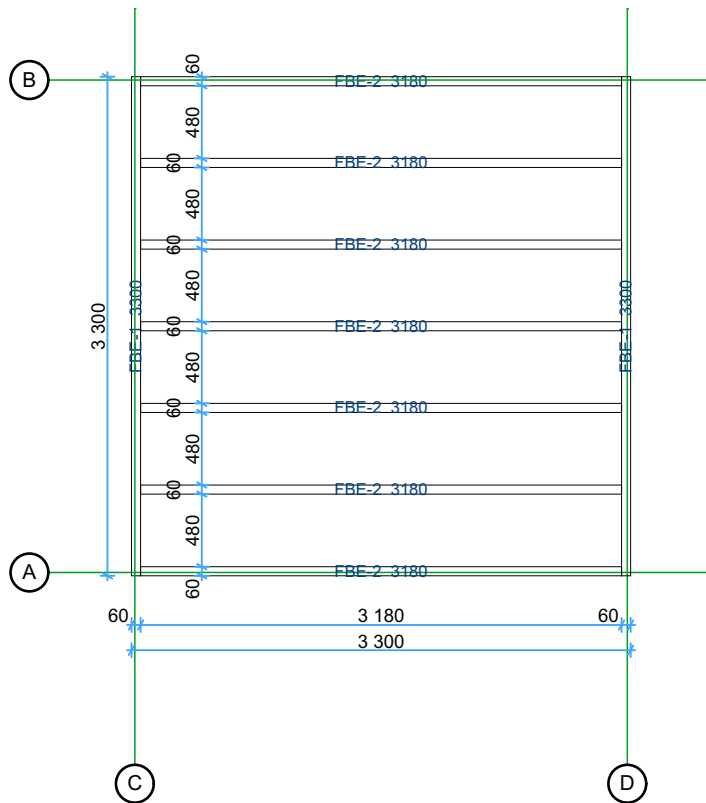
Walls and purlins positions



Thickness:	Project name:	Project ID:	Year:	Page:
44	Cambridge 3,5x3,5		2024	2

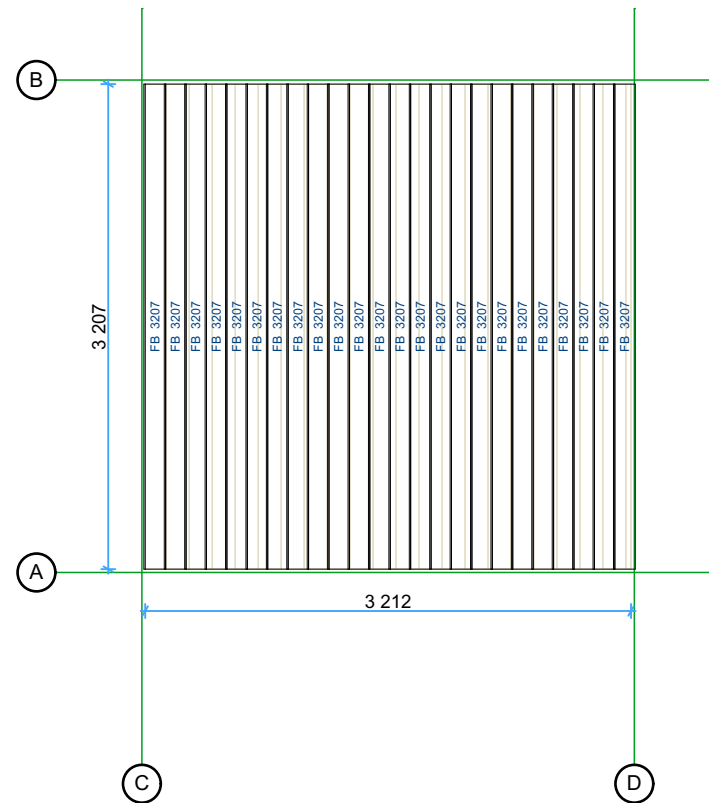
Floor bearer

1:50



Floor boards

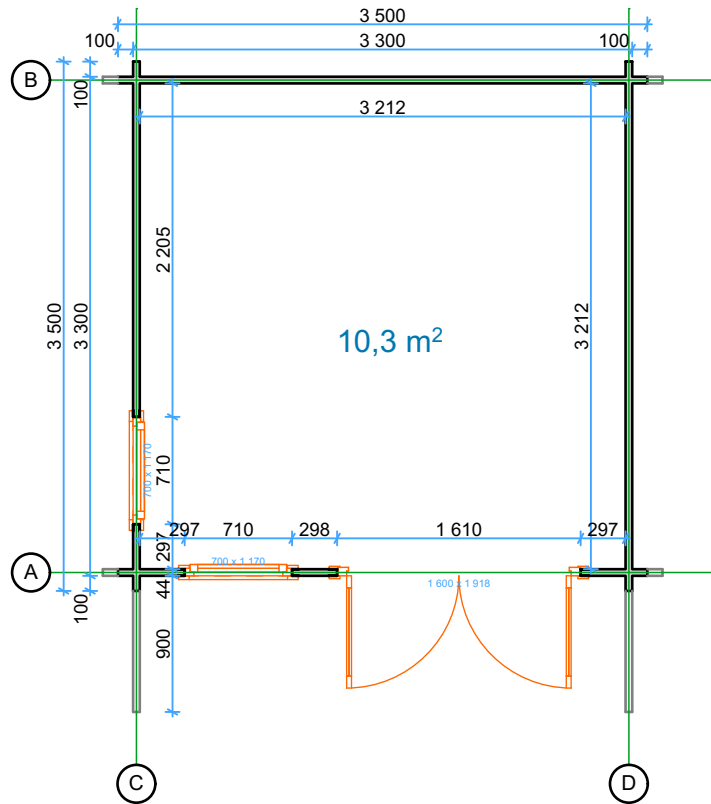
1:50



Thickness:	Project name:	Project ID:	Year:	Page:
44	Cambridge 3,5x3,5		2024	3

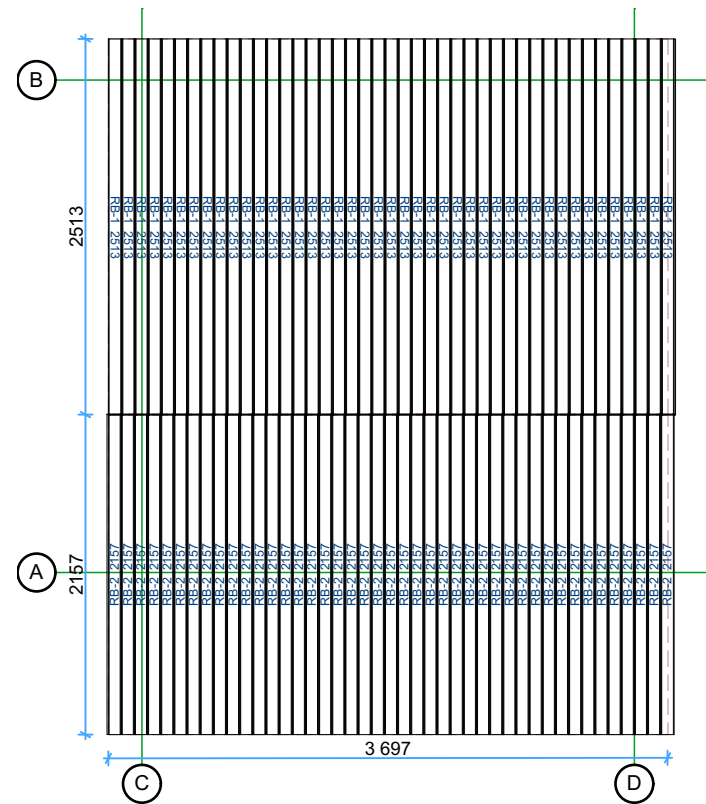
Ground Floor plan

1:50



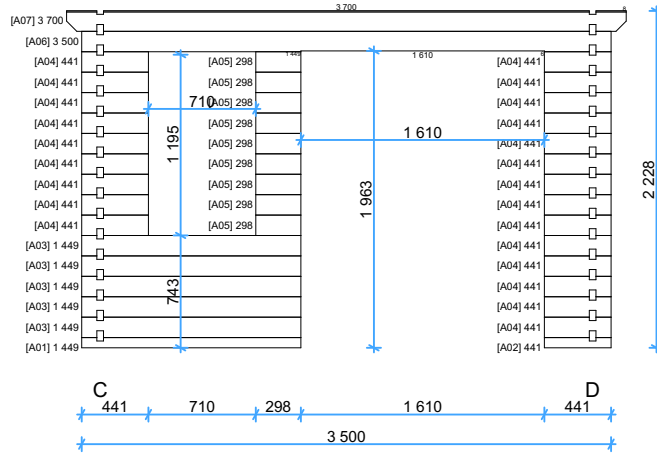
Roof boards

1:50

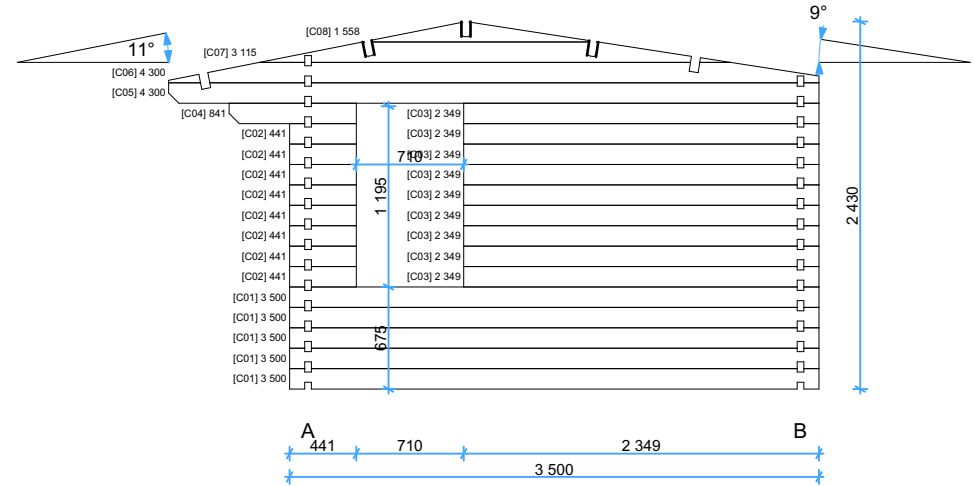


Thickness:	Project name:	Project ID:	Year:	Page:
44	Cambridge 3,5x3,5		2024	4

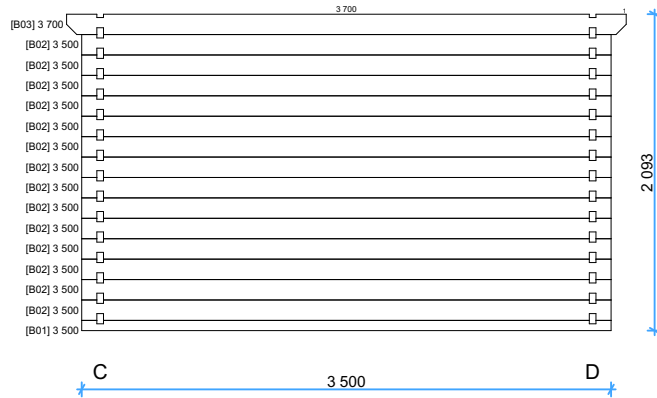
Wall A 1:50



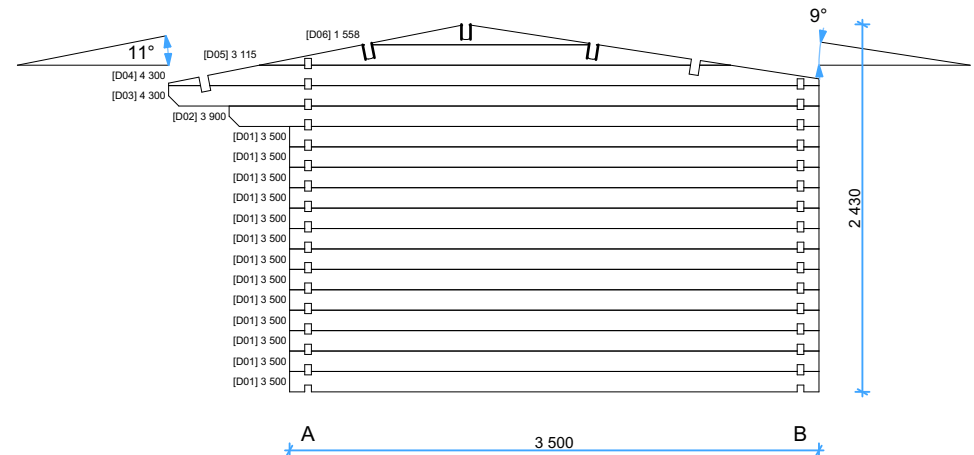
Wall C 1:50



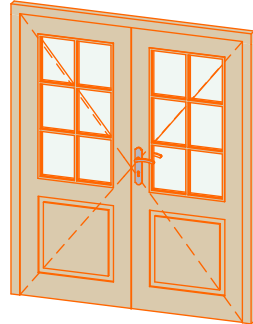
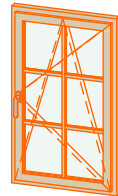
Wall B 1:50



Wall D 1:50



Thickness:	Project name:	Project ID:	Year:	Page:
44	Cambridge 3,5x3,5		2024	5

Windows and doors list							
Type-quality	Barcode	Wall Thickness	W x H Size	Orientation	Glazing	Quantity	3D Axonometry
Door - Premium	PG192160	44	1 600×1 918	R	50% glass, double glazed, safety (toughened) glass	1	
Window - Premium plus	P+G11770	44	700×1 170	R	Double glazed, safety (toughened) glass	2	

Thickness:	Project name:	Project ID:	Year:	Page:
44	Cambridge 3,5x3,5		2024	6