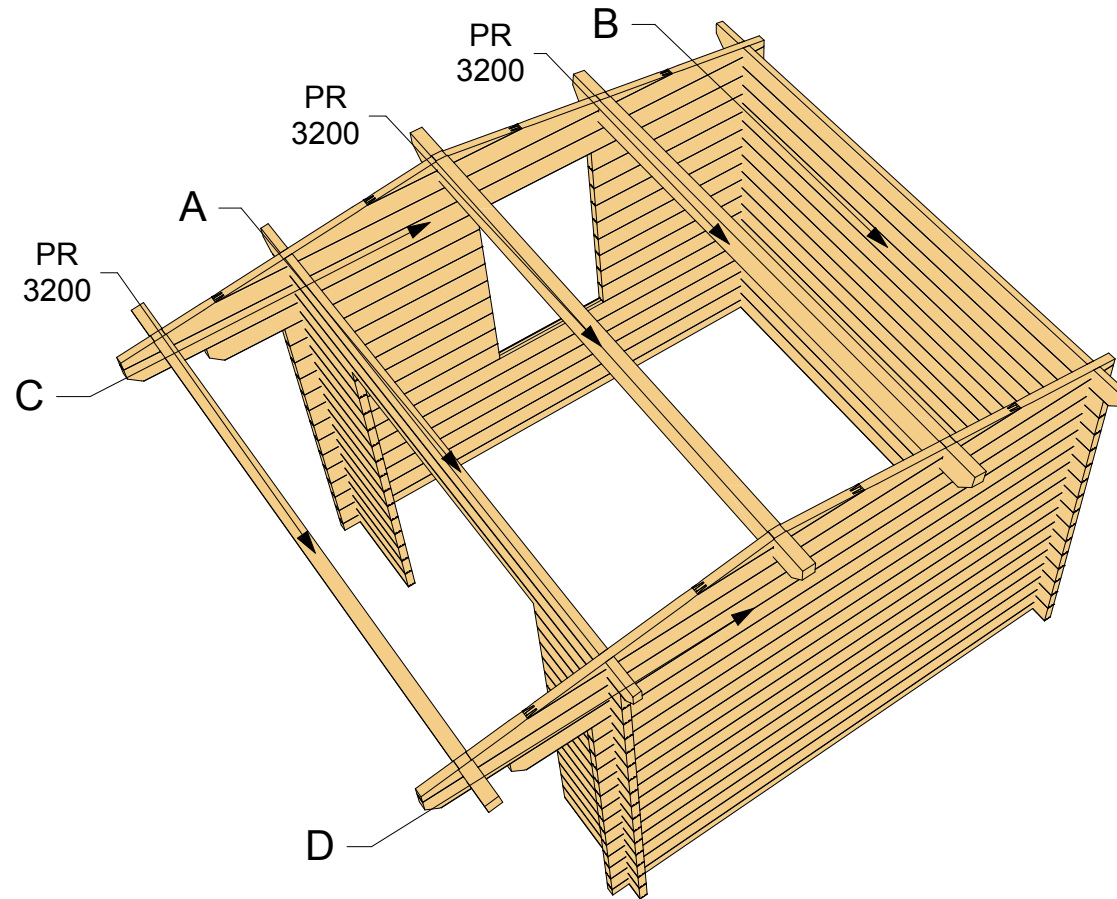




44mm Brentwood 3x3

Architect name:	Thickness:	Type:	Project name:	Project No:	Year:	Page:
Laura Daubaraitė	44mm	Standart	Brentwood 3x3		2019	1

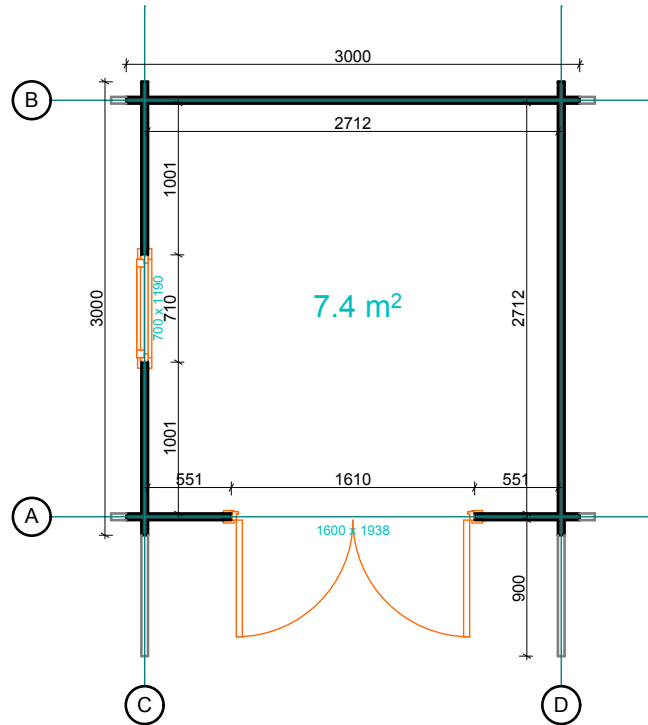
WALLS AND PURLINS POSITIONS



Architect name:	Thickness:	Type:	Project name:	Project No:	Year:	Page:
Laura Daubaraitė	44mm	Standart	Brentwood 3x3		2019	2

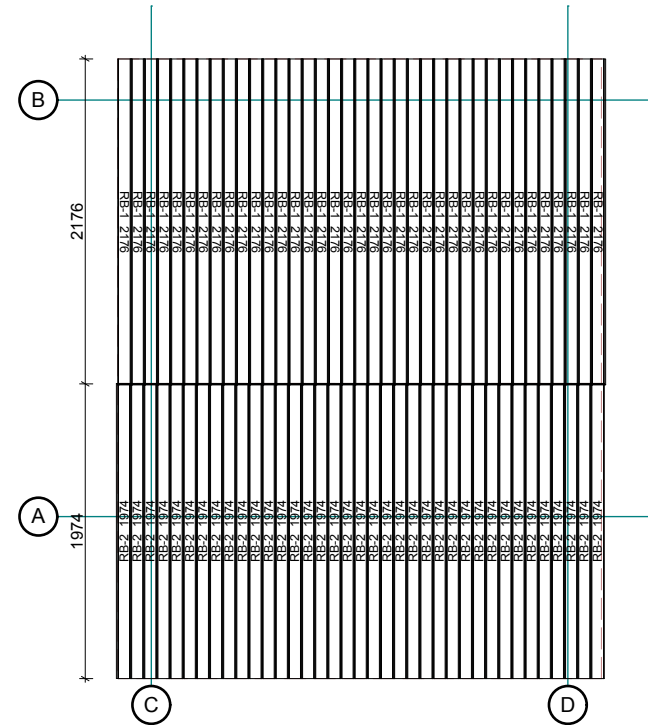
GROUND FLOOR

1:50



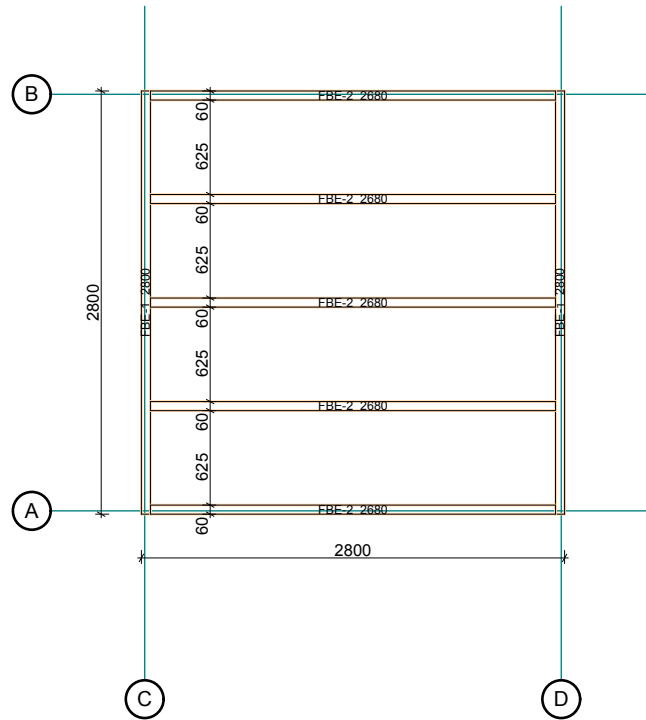
ROOF BOARDS

1:50

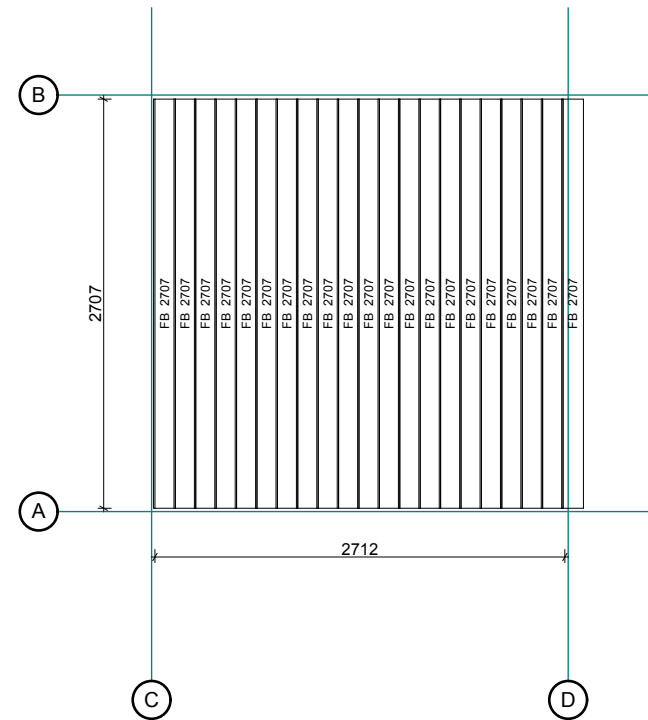


Architect name:	Thickness:	Type:	Project name:	Project No:	Year:	Page:
Laura Daubaraitė	44mm	Standart	Brentwood 3x3		2019	3

FLOOR BEARERS 1:50



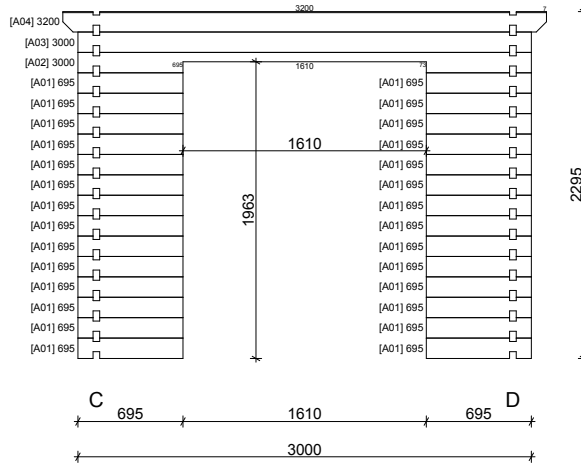
FLOOR BOARDS 1:50



Architect name:	Thickness:	Type:	Project name:	Project No:	Year:	Page:
Laura Daubaraitė	44mm	Standart	Brentwood 3x3		2019	4

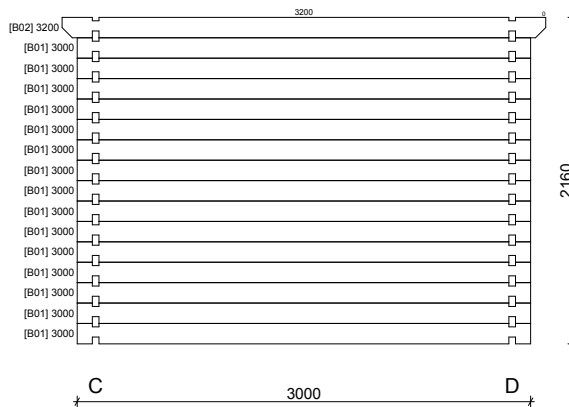
WALL A

1:50



WALL B

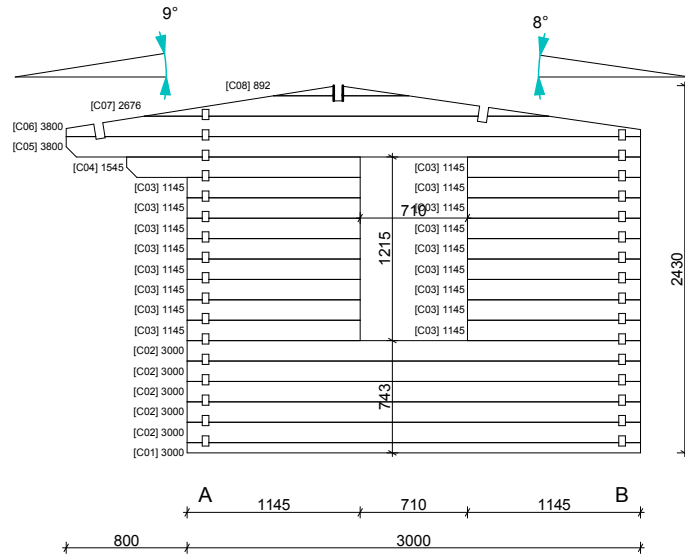
1:50



Architect name:	Thickness:	Type:	Project name:	Project No:	Year:	Page:
Laura Daubaraitė	44mm	Standart	Brentwood 3x3		2019	5

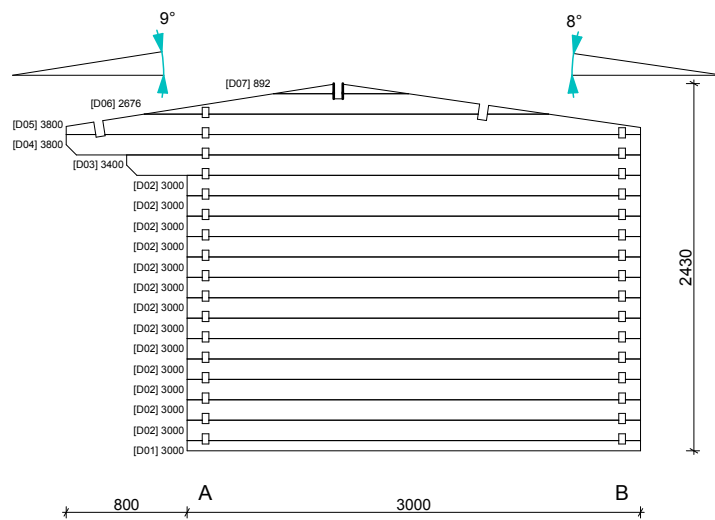
WALL C

1:50



WALL D

1:50



Architect name:	Thickness:	Type:	Project name:	Project No:	Year:	Page:
Laura Daubaraitė	44mm	Standart	Brentwood 3x3		2019	6