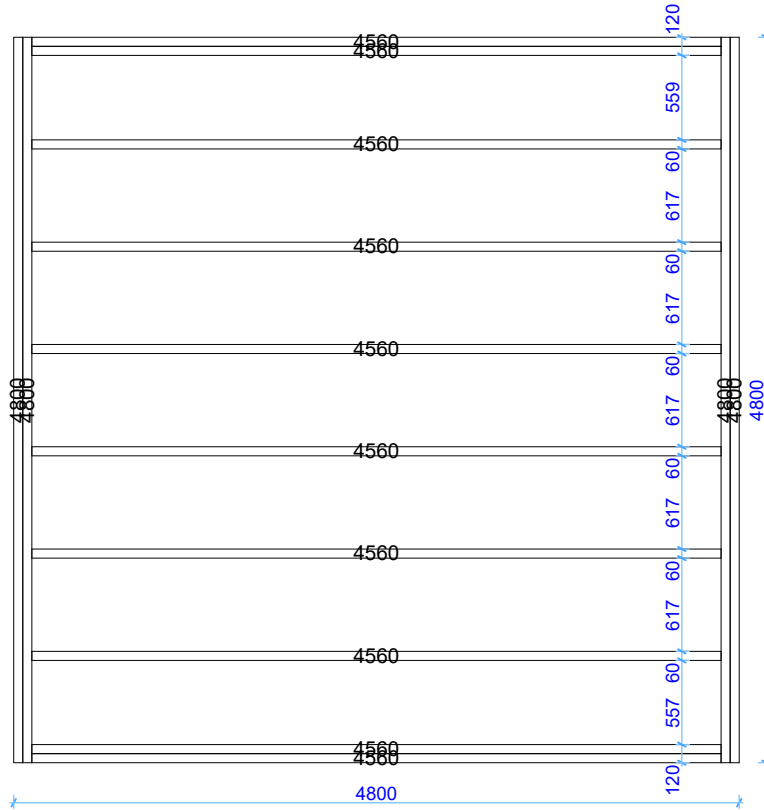


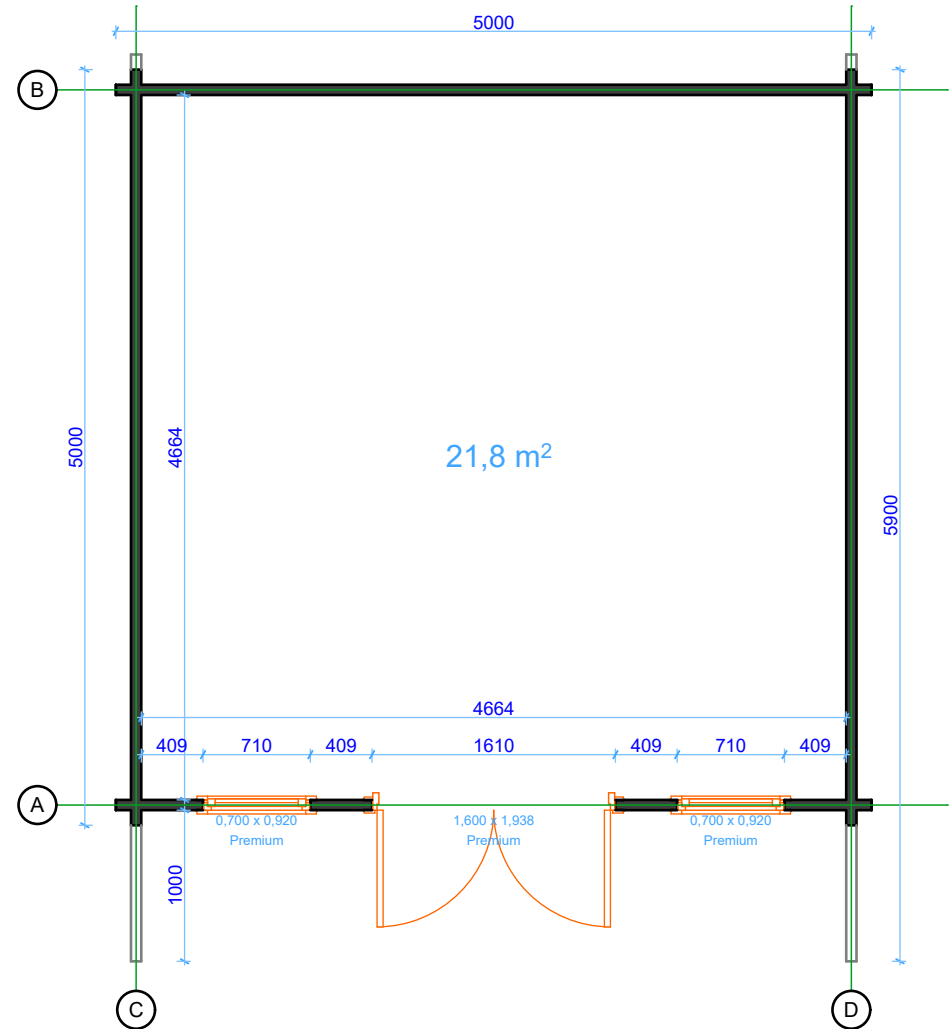
## 68mm Ashford 5x5

Architect name:	Thickness:	Type:	Project name:	Project No:	Year:	Page:
Gytis Buda	68mm	Standard	Ashford 5x5		2018	1

Floor bearers

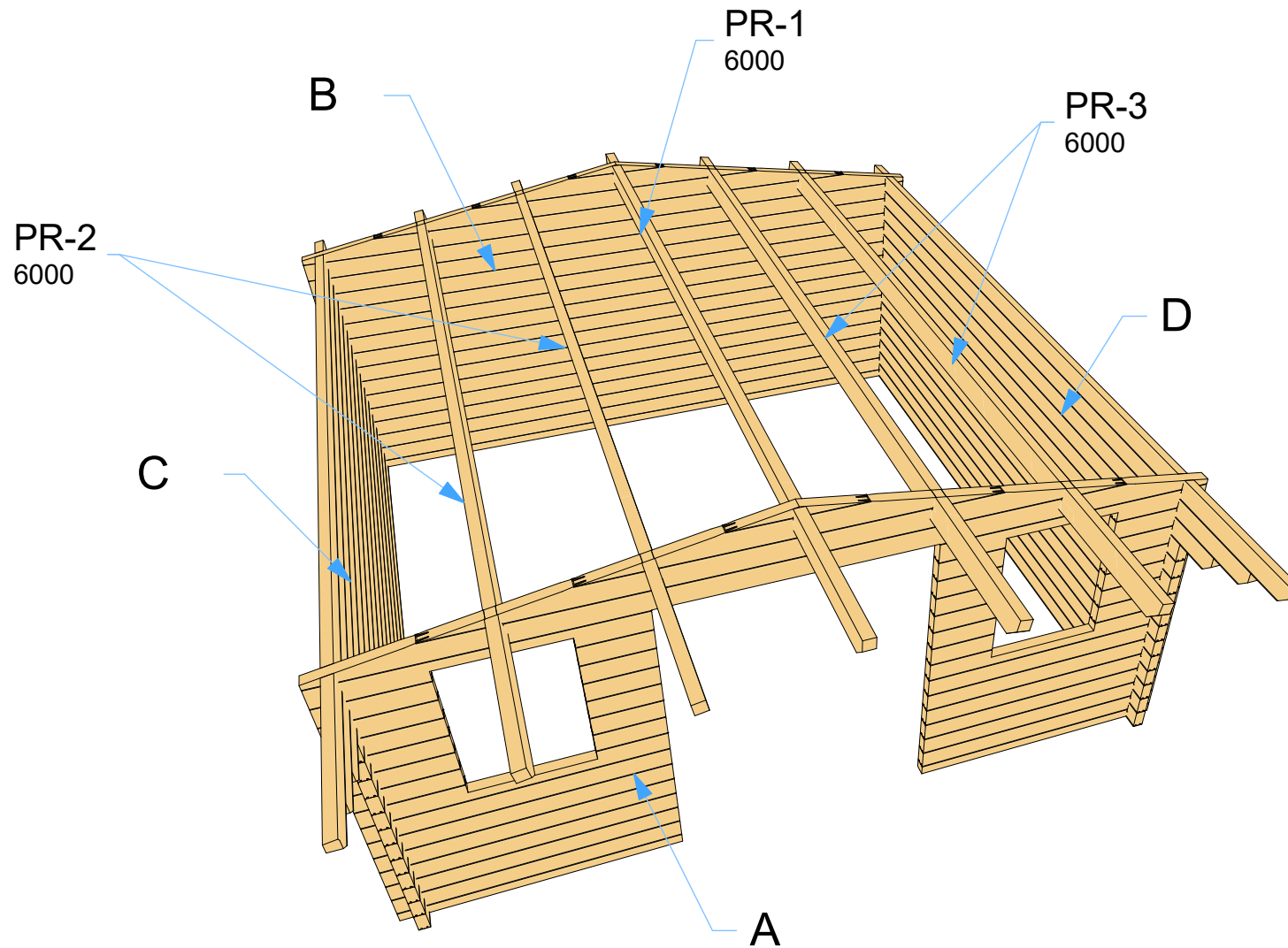


Floor plan



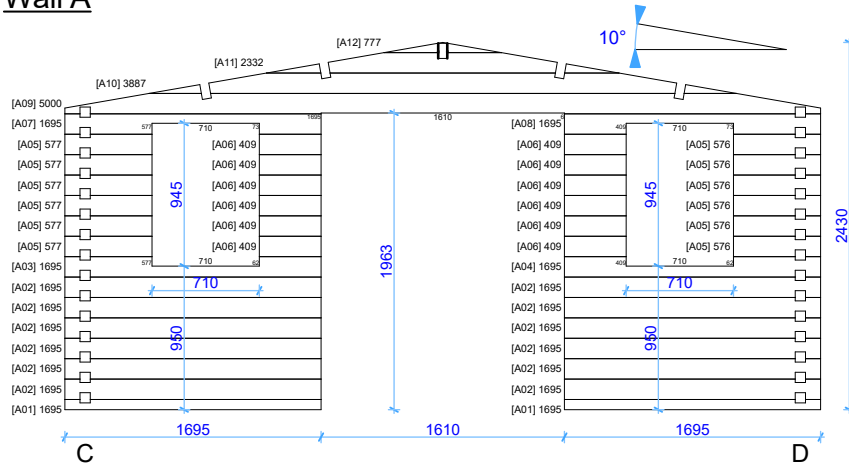
Architect name:	Thickness:	Type:	Project name:	Project No:	Year:	Page:
<b>Gytis Buda</b>	<b>68mm</b>	<b>Standard</b>	<b>Ashford 5x5</b>		<b>2018</b>	<b>2</b>

Walls and purlins positions

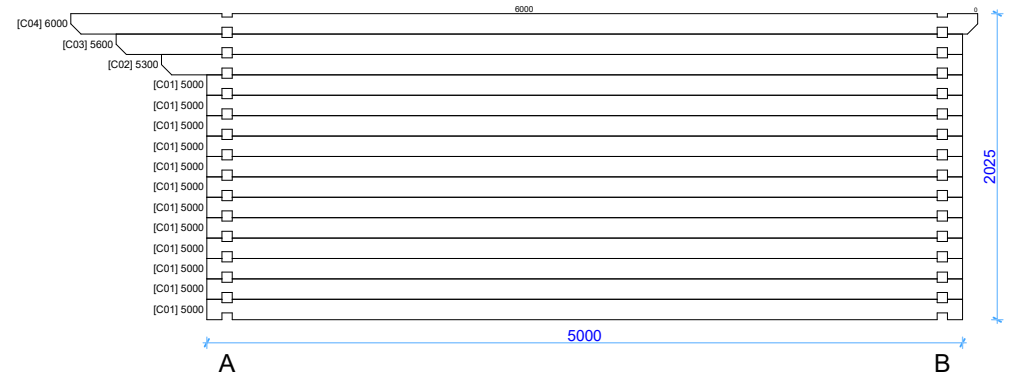


Architect name:	Thickness:	Type:	Project name:	Project No:	Year:	Page:
<b>Gytis Buda</b>	<b>68mm</b>	<b>Standard</b>	<b>Ashford 5x5</b>		<b>2018</b>	<b>3</b>

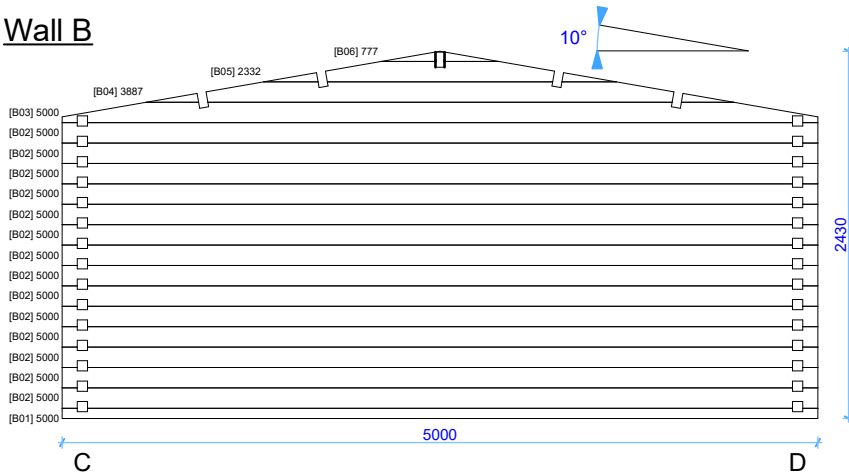
### Wall A



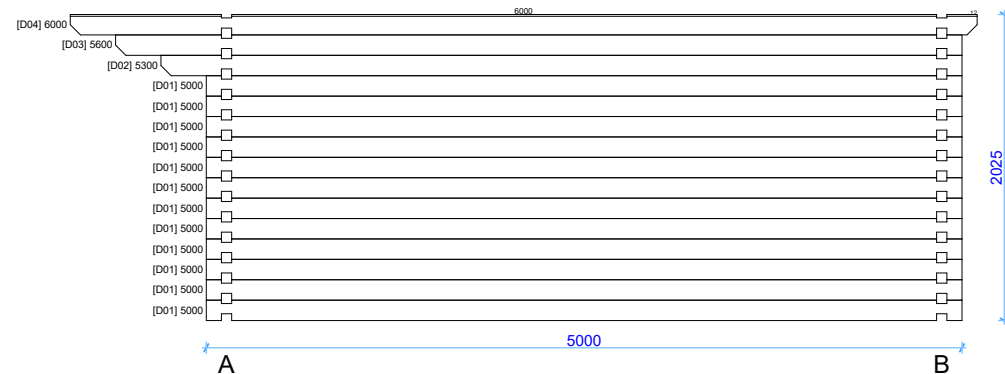
### Wall C



### Wall B

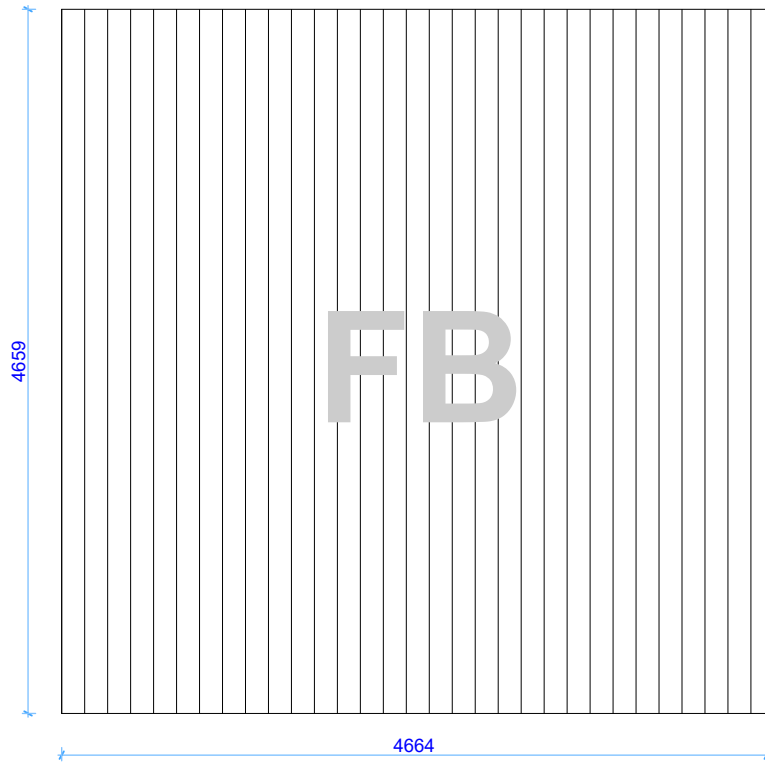


### Wall D

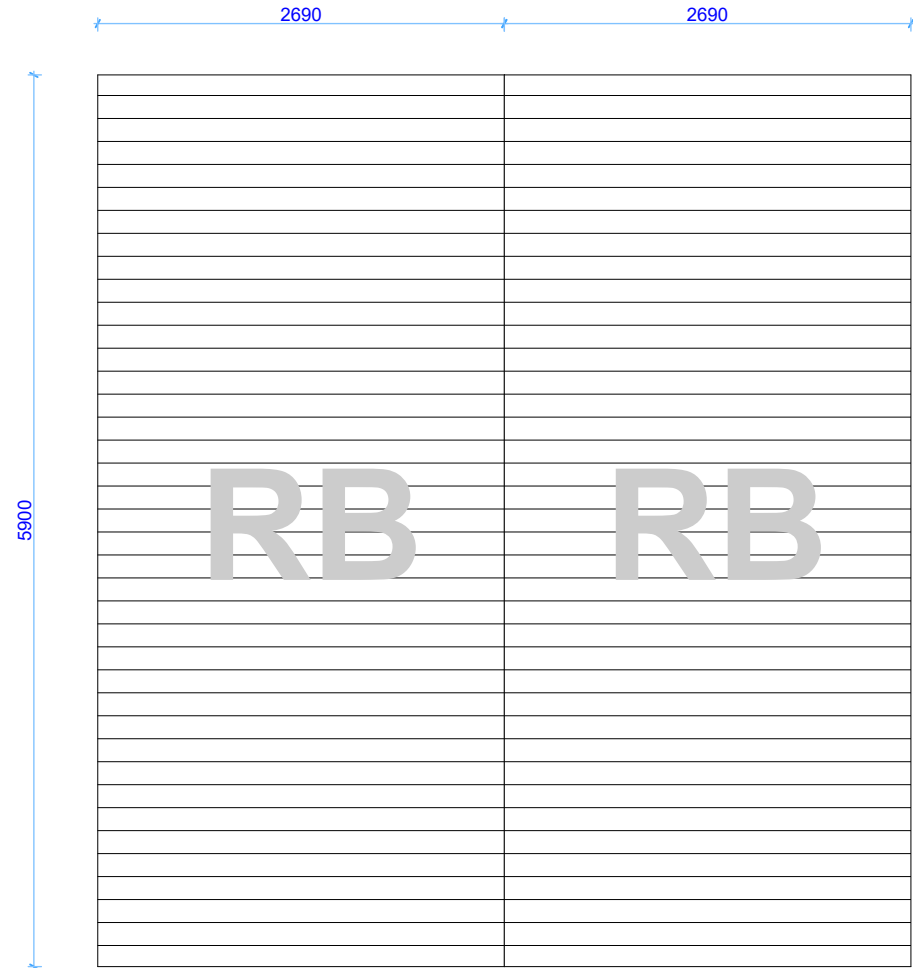


Architect name:	Thickness:	Type:	Project name:	Project No:	Year:	Page:
Gytis Buda	68mm	Standard	Ashford 5x5		2018	4

Floor boards

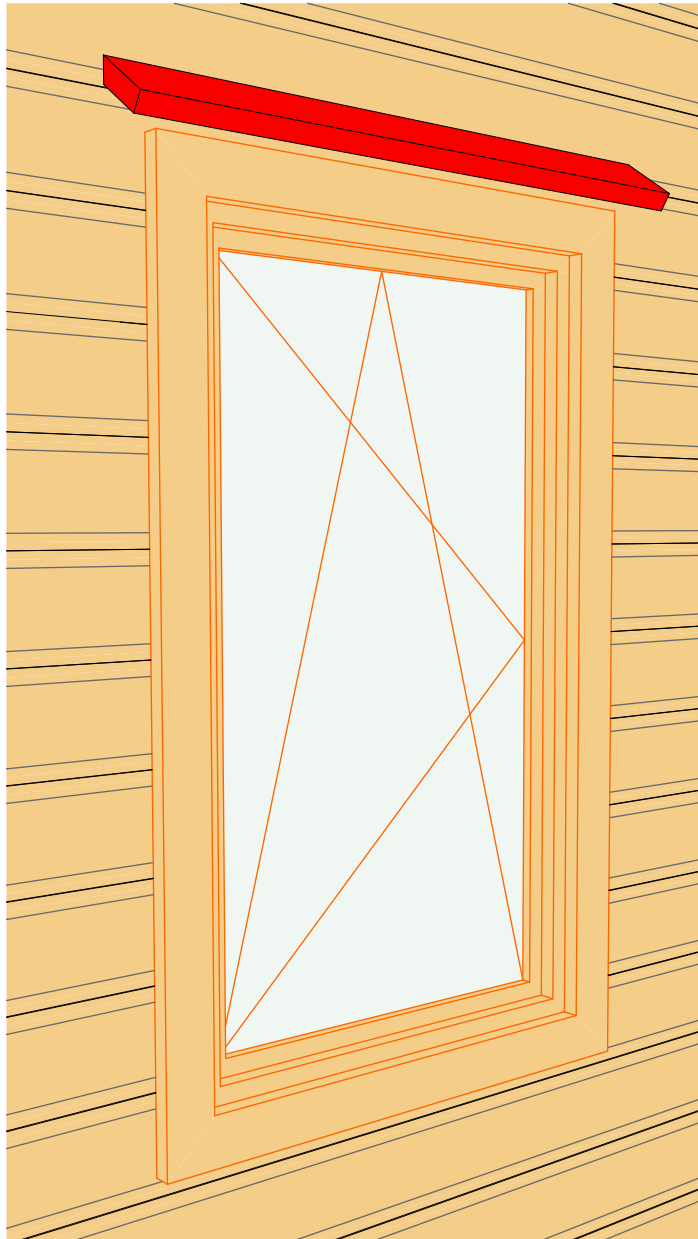


Roof boards

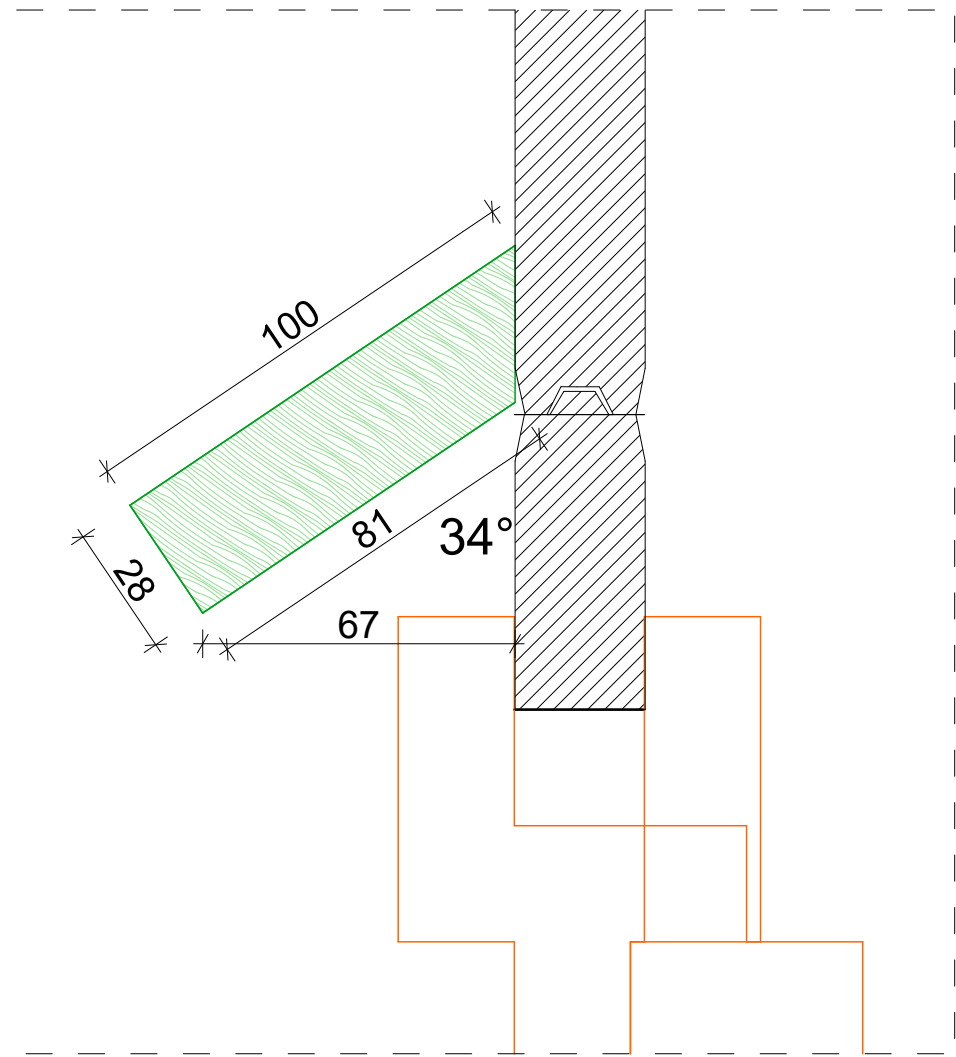


Architect name:	Thickness:	Type:	Project name:	Project No:	Year:	Page:
Gytis Buda	68mm	Standard	<b>Ashford 5x5</b>		2018	5

Drip cap over window/door



Drip cap over window/door



Architect name:	Thickness:	Type:	Project name:	Project No:	Year:	Page:
Gytis Buda	68mm	Standard	Ashford 5x5		2018	6