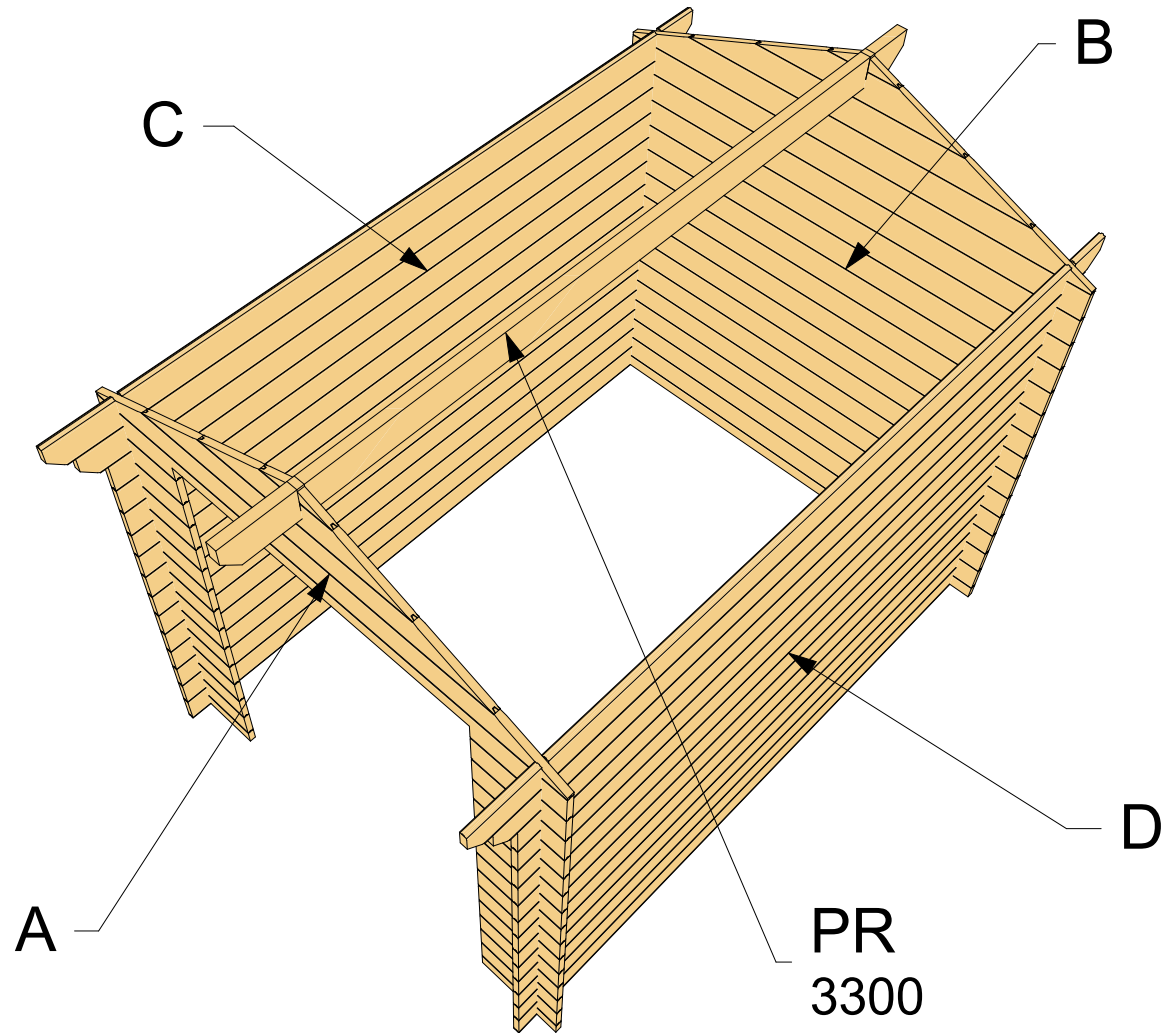




28mm Newenden 2,2x3

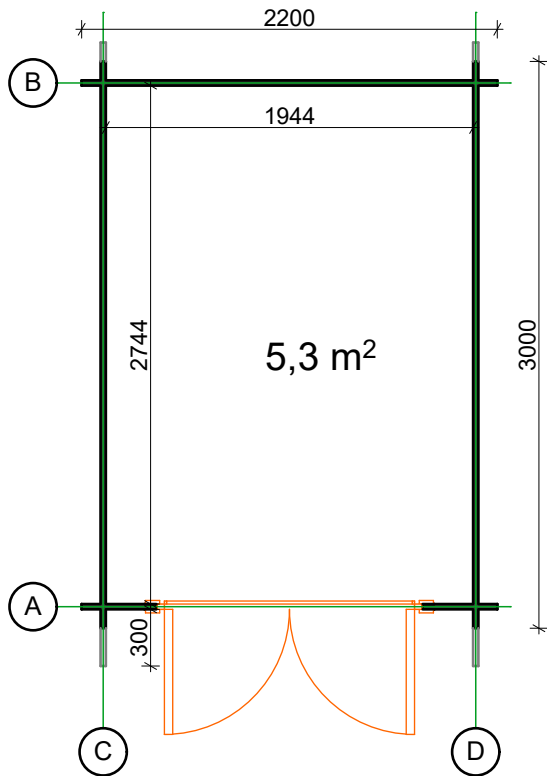
Architect name:	Thickness:	Type:	Project name:	Project No:	Year:	Page:
Gytis Buda	28mm	Standard	NEWENDEN 2,2x3	-	2017	1 of 4

Walls and purlins positions

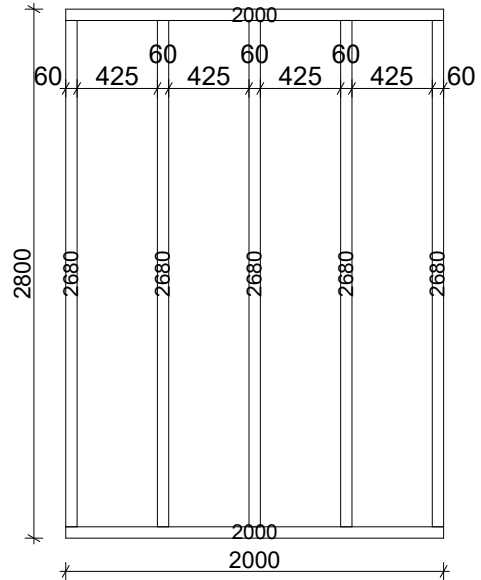


Architect name:	Thickness:	Type:	Project name:	Project No:	Year:	Page:
Gytis Buda	28mm	Standard	NEWENDEN 2,2x3	-	2017	2 of 4

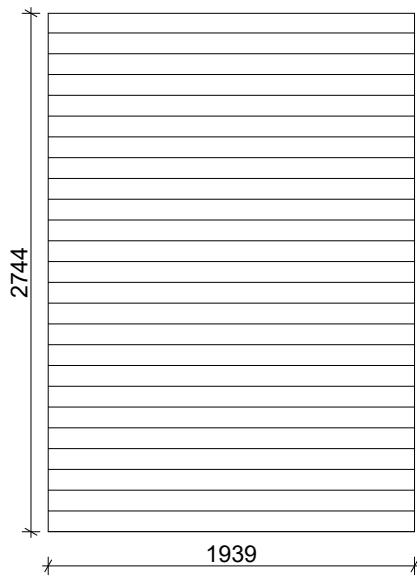
Floor plan 1:40



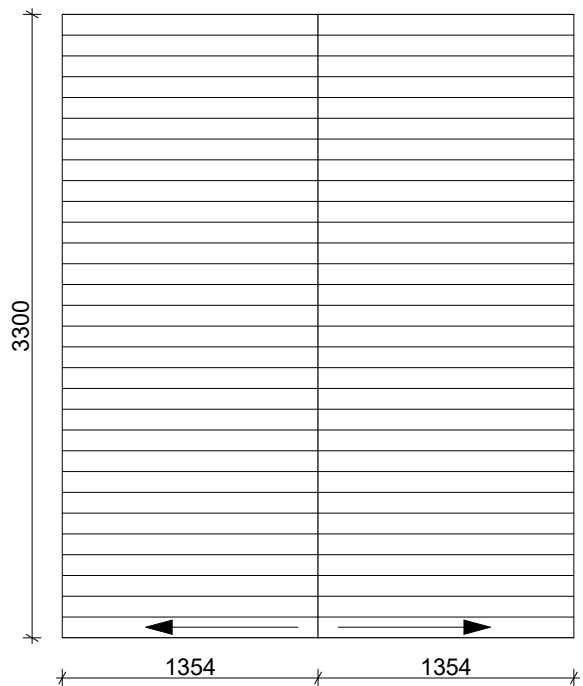
Floor bearers 1:40



Floor boards

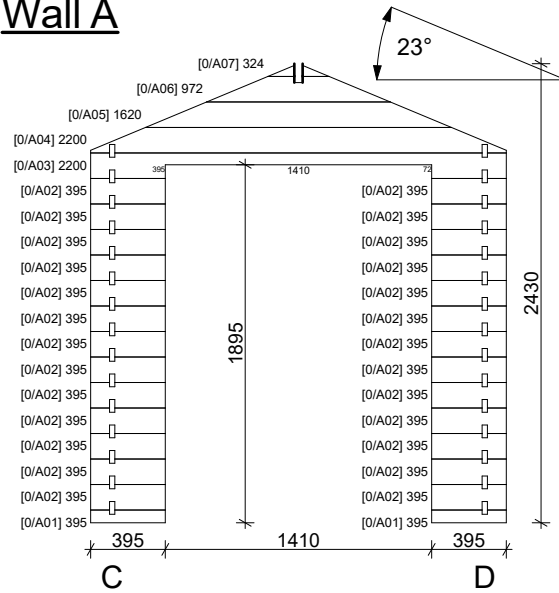


Roof boards

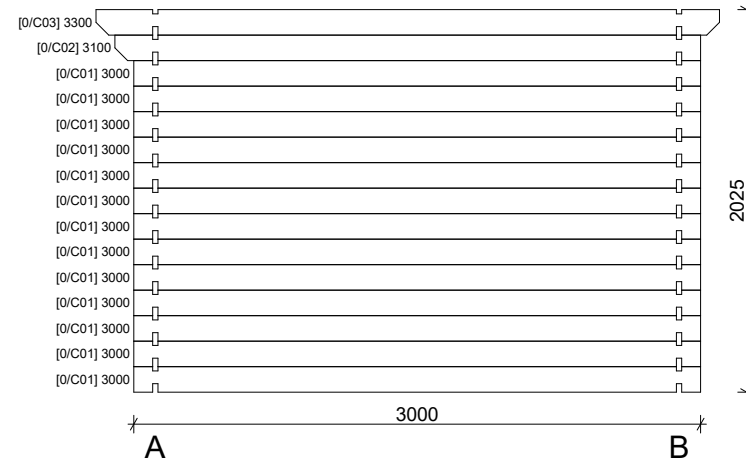


Architect name:	Thickness:	Type:	Project name:	Project No:	Year:	Page:
Gytis Buda	28mm	Standard	NEWENDEN 2,2x3	-	2017	3 of 4

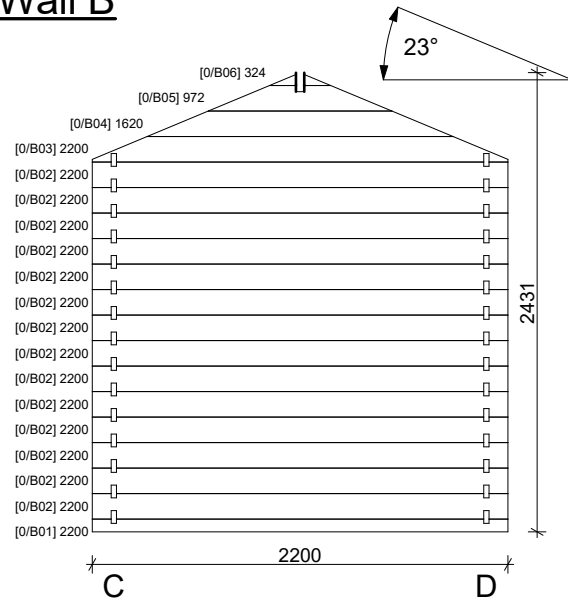
Wall A



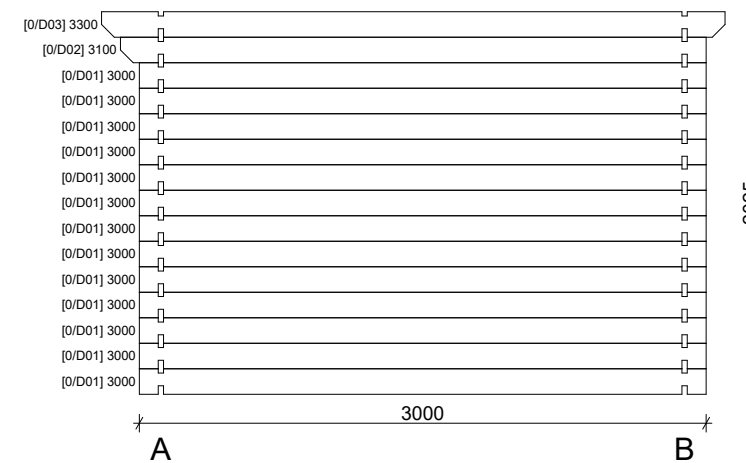
Wall C



Wall B



Wall D



Architect name:	Thickness:	Type:	Project name:	Project No:	Year:	Page:
Gytis Buda	28mm	Standard	NEWENDEN 2,2x3	-	2017	4 of 4